

Power Relay Series 功率继电器系列--QY102F

FEATURES特点

- 25A contact switching capability
25A触点切换能力
- PCB & QC layouts available
印制板式和快连接式引出脚
- Ideal for motor switching
适用于切换电机负载
- Outline dimensions (30.5X16.0X23.5) mm
外形尺寸 (30.5X16.0X23.5) mm



CONTACT PARAMETERS触点参数

Model Series 型号系列	QY102F
Rating Load (Resistive) 额定负载	20A 250VAC 25A 250VAC
Max. Switching Current最大切换电流	25A
Max. Switching Voltage最大切换电压	250VAC
Max. Switching Power最大切换功率	6,250VA

CHARACTERISTICS性能参数

Contact Materials触点材料	Ag Alloy银合金	
Contact Resistance接触电阻	50mΩ Max.	
Operate Time吸合时间	20msec. Max.	
Release Time释放时间	10msec. Max.	
Insulation Resistance绝缘电阻	1,000MΩ Min. (DC500V)	
Initial Dielectric Strength介质耐压	Between open contacts: 触点与触点间:	AC1,100V,50/60Hz 1Min.
	Between contacts and coil: 触点与线圈间:	AC2,500V,50/60Hz 1Min.
Vibration Resistance抗振动	Damage limits: 耐久:	10~55Hz Double Amplitude双振幅1.5mm
	Malfunction: 误动作:	10~55Hz Double Amplitude双振幅1.5mm
Shock Resistance抗冲击	Damage limits: 耐久:	100G Min.
	Malfunction: 误动作:	10G Min.
Life寿命	Mechanical Life (10800 per hour) 机械寿命 (每小时10800次)	1×10 ⁷
	Electrical Life (1800 per hour) 电气寿命 (每小时1800次)	1×10 ⁵
Ambient Temperature环境温度	-40℃~+105℃ (No condensation) (不冷凝)	
Unit Weight单位重量	约Approx.22.0g	

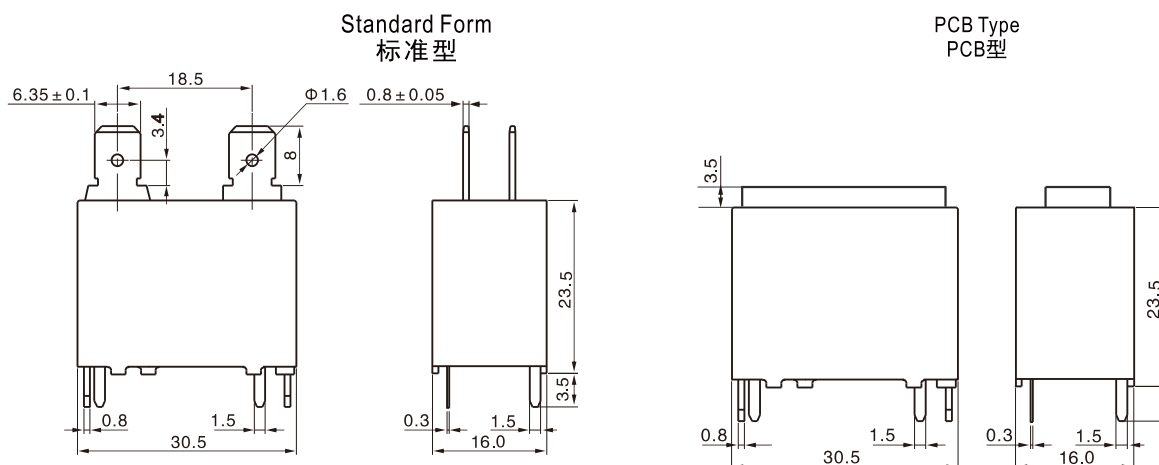
COIL RATINGS (at20°C) 线圈参数 (在20°C)

Coil Nominal Voltage 额定电压 (VDC)	Nominal Current 额定电流 ±10%(mA)	Coil Resistance 线圈电阻 ±10% (Ω)	Max. Continuous Voltage 最大连续外加电压	Pick-Up Voltage 吸合电压 (Max)	Drop-Out Voltage 释放电压 (Min)	Rated power 额定功率
3	300.00	10	Coil Nominal Voltage 130% 额定电压的 130%	Coil Nominal Voltage 75% 额定电压的 75%	Coil Nominal Voltage 5% 额定电压的 5%	About 0.90 W 约0.90W
5	180.00	27.80				
6	150.00	40				
9	100.00	90				
12	75.00	160				
15	60.00	250				
18	50.00	360				
24	37.50	640				

ORDERING INFORMATION 订货标记

QY102F-012-H-S-D-P 1 2 3 4 5 6	
1. Model Number基本型号: QY102F	4. Enclosure: S-General Type, K-Sealed Type 封装形式: S-标准型, K-密封型
2. Coil Voltage线圈规格 (VDC): 03,05,06,09,12,24	5. Coil Power: Nil - 0.90W 线圈功率: 无-0.90W
3. Contact Form:H-1 Form A 触点形式: H-1组常开	6. Terminal Form: Nil-Standard Type, P-PCB Type 端子形式: 无-标准型, P-PCB型

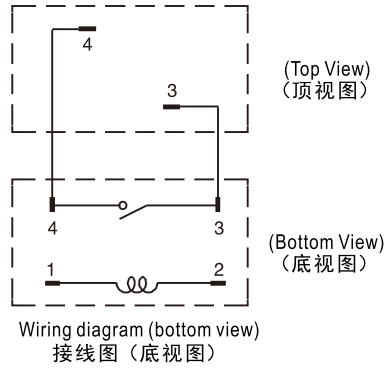
OUTLINE DIMENSIONS (UNIT:mm)外形尺寸 (单位: mm)



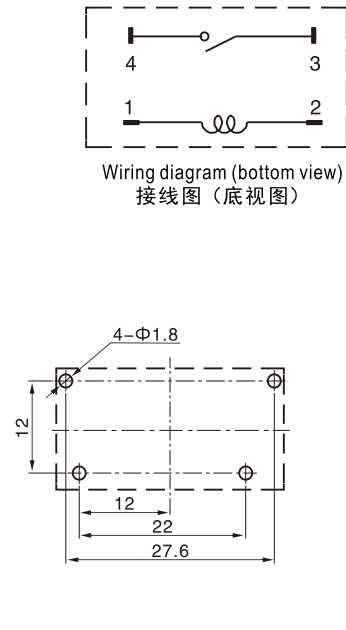
Undimensioned tolerance: <1mm: ±0.2mm 1~5mm: ±0.3mm >5mm: ±0.4mm
未标注尺寸公差: <1mm: ±0.2mm 1~5mm: ±0.3mm >5mm: ±0.4mm

Note: 1. The size of the lead foot is pre welding dimension. 注: 1、引出脚尺寸为预焊前尺寸
2. installation hole size tolerance: +0.1mm 2、安装孔尺寸公差: ±0.1mm

Standard Form
标准型



PCB Type
PCB型



TYPICAL USE 典型用途

- Household appliances: Air conditioning, Electric heaters, Etc..
- Office equipment: Computer, Fax, Etc..
- Smart Home Products
- 家用电器：空调、电热器等
- 办公室设备：电脑、传真机等
- 智能家居产品

PERFORMANCE CHART 性能曲线图

