

Power Relay Series 功率继电器系列--QY115

FEATURES特点

- Up to 16A contact switching capability
高达16A触点切换能力
- Plastic sealed and flux proofed types available
配有多种插座可供选择
- 5kV dielectric strength (between coil and contacts)
线圈与触点间介质耐压 5kV
- Outline dimensions (29.0X12.7X15.7) mm
外形尺寸 (29.0X12.7X15.7) mm



CONTACT PARAMETERS触点参数

Model Series 型号系列	QY115-1P	QY115-2P
Rating Load (Resistive) 额定负载 (阻性)	16A 250VAC/12A 250VAC	8A 250VAC
Max. Switching Current 最大切换电流	20A	10A
Max. Switching Voltage 最大切换电压	250VAC	250VAC
Max. Switching Power 最大切换功率	4,000VA	2,000VA

CHARACTERISTICS性能参数

Contact Materials 触点材料	Ag Alloy 银合金	
Contact Resistance 接触电阻	50mΩ Max.	
Operate Time 吸合时间	15msec. Max.	
Release Time 释放时间	10msec. Max.	
Insulation Resistance 绝缘电阻	100MΩ Min. (DC500V)	
Initial Dielectric Strength 介质耐压	Between open contacts: 触点与触点间:	AC1,000V, 50/60Hz 1Min.
	Between contacts and coil: 触点与线圈间:	AC5,000V, 50/60Hz 1Min.
	Between contact sets: 触点组间:	AC2,500V, 50/60Hz 1Min.
Vibration Resistance 抗振动	Damage limits: 耐久:	10~55Hz Double Amplitude 双振幅 1.5mm
	Malfunction: 误动作:	10~55Hz Double Amplitude 双振幅 1.5mm
Shock Resistance 抗冲击	Damage limits: 耐久:	100G Min.
	Malfunction: 误动作:	10G Min.
Life 寿命	Mechanical Life (10800 per hour) 机械寿命 (每小时10800次)	1×10 ⁷
	Electrical Life (1800 per hour) 电气寿命 (每小时1800次)	1×10 ⁵
Ambient Temperature 环境温度	-40°C ~ +105°C (No condensation) (不冷凝)	
Unit Weight 单位重量	约 Approx. 13.5g	

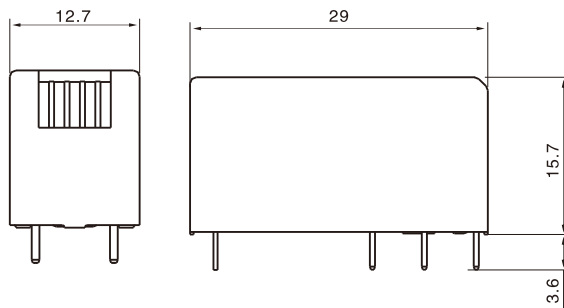
COIL RATINGS (at20°C) 线圈参数 (在20°C)

Coil Nominal Voltage 额定电压 (VDC)	Nominal Current 额定电流 ±10%(mA)	Coil Resistance 线圈电阻 ±10% (Ω)	Max. Continuous Voltage 最大连续外加电压	Pick-Up Voltage 吸合电压 (Max)	Drop-Out Voltage 释放电压 (Min)	Rated power 额定功率
5	81.00	63	Coil Nominal Voltage 150% 额定电压的 150%	Coil Nominal Voltage 75% 额定电压的 75%	Coil Nominal Voltage 10% 额定电压的 10%	About 0.40 W 约0.40W
6	67.00	90				
9	45.00	203				
12	33.00	360				
18	22.00	810				
24	17.00	1440				
48	8.00	5760				
60	6.70	8570				
110	3.60	28800				

ORDERING INFORMATION 订货标记

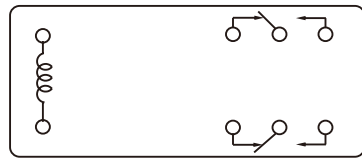
QY115-012-H-S-D-(XXX) 1 2 3 4 5 6	
1. Model Number 基本型号: QY115 2. Coil Voltage 线圈规格 (VDC): 03,05,06,09,12,24,48,60,110 3. Contact Form: H-1 Form A, Z-1 Form C 2H-2 Form A, 2Z-2 Form C 触点形式: H-1组常开, Z-1组转换, 2H-2组常开, 2Z-2组转换	4. Enclosure: S-General Type, K-Sealed Type 封装形式: S-标准型, K-密封型 5. Coil Power: Nil - 0.4W 线圈功率: 无-0.4W 6. Features: XXX- Special Requirements, Nil-Standard Type 特性号: XXX-特殊要求, 无-标准型

OUTLINE DIMENSIONS (UNIT:mm) 外形尺寸 (单位: mm)

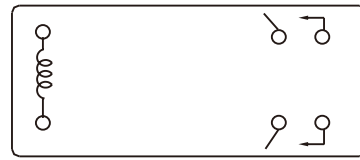


Undimensioned tolerance: <1mm: ±0.2mm 1~5mm: ±0.3mm >5mm: ±0.4mm
 未标注尺寸公差: <1mm: ±0.2mm 1~5mm: ±0.3mm >5mm: ±0.4mm

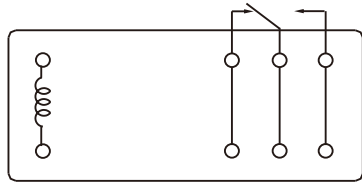
Note: 1. The size of the lead foot is pre welding dimension. 注: 1、引出脚尺寸为预焊前尺寸
 2. installation hole size tolerance: + 0.1mm 2、安装孔尺寸公差: ±0.1mm



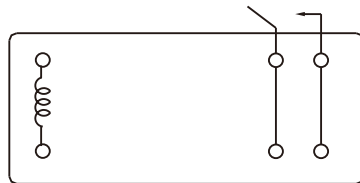
2Z



2H



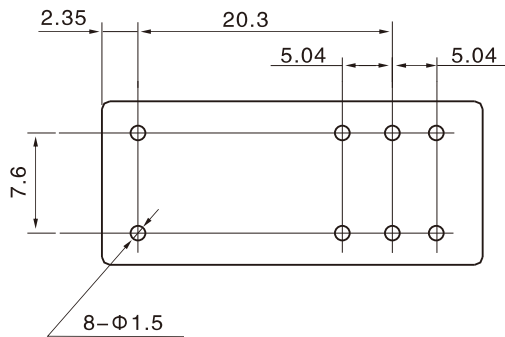
1Z



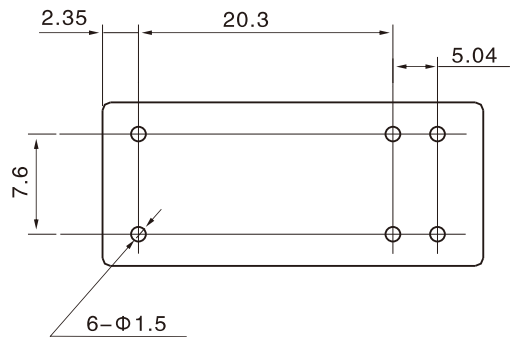
1H

Wiring diagram (bottom view)
接线图 (底视图)

2P 2组

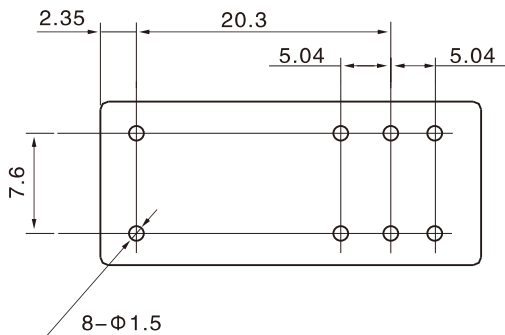


2Z

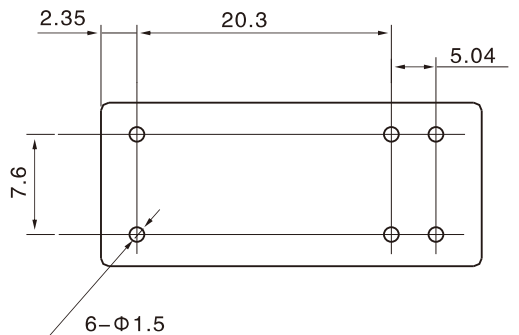


2H

1P 1组



1Z



1H

Mounting hole size (bottom view)
安装孔尺寸 (底视图)

TYPICAL USE 典型用途

- Home Appliances, Intelligent Control, Smart Home, Smart Plug, Air Conditioning, Microwave, Industrial Control, Etc..
- 家用电器, 智能控制, 智能家居, 智能插座, 空调, 微波炉, 工业控制等

PERFORMANCE CHART 性能曲线图

