

Power Relay Series 功率继电器系列--QY46F

FEATURES特点

- 5A contact switching capability
5A触点切换能力
- Plastic sealed and dust protected types available
塑封型和防尘罩型可供选择
- 1 Form A configurations
具有一组常开触点形式
- Outline dimensions (20.5X7.0X15.1) mm
外形尺寸 (20.5X7.0X15.1) mm



CONTACT PARAMETERS触点参数

Model series型号系列	QY46F
Rating Load (Resistive)额定负载 (阻性)	5A/7A/10A 277VAC 3A 30VDC
Max. Switching Current最大切换电流	10A
Max.Switching Voltage最大切换电压	277VAC/30VDC
Max.Switching Power最大切换功率	2,770VA 90W

CHARACTERISTICS性能参数

Contact Materials触点材料	Ag Alloy银合金	
Contact Resistance接触电阻	50mΩ Max.	
Operate Time吸合时间	20msec.Max.	
Release Time释放时间	10msec.Max.	
Insulation Resistance绝缘电阻	1000MΩ Min.(DC500V)	
Initial Dielectric Strength介质耐压	Between open contacts: 触点与触点间:	AC750V,50/60Hz 1Min.
	Between contacts and coil: 触点与线圈间:	AC4,000V,50/60Hz 1Min.
Vibration Resistance抗振动	Damage limits: 耐久:	10~55Hz Double Amplitude双振幅1.5mm
	Malfunction: 误动作:	10~55Hz Double Amplitude双振幅1.5mm
Shock Resistance抗冲击	Damage limits: 耐久:	100G Min.
	Malfunction: 误动作:	10G Min.
Life寿命	Mechanical Life (10800 per hour) 机械寿命 (每小时10800次)	1×10 ⁷
	Electrical Life (1800 per hour) 电气寿命 (每小时1800次)	1×10 ⁵
Ambient Temperature环境温度	-40℃~+105℃ (No condensation) (不冷凝)	
Unit Weight单位重量	约Approx.3.9g	

COIL RATINGS (at 20°C) 线圈参数 (在 20°C)

Coil Nominal Voltage 额定电压 (VDC)	Nominal Current 额定电流 ±10%(mA)	Coil Resistance 线圈电阻 ±10% (Ω)	Max. Continuous Voltage 最大连续外加电压	Pick-Up Voltage 吸合电压 (Max)	Drop-Out Voltage 释放电压 (Min)	Rated power 额定功率
3	66.67	45	Coil Nominal Voltage 130% 额定电压的 130%	Coil Nominal Voltage 75% 额定电压的 75%	Coil Nominal Voltage 5% 额定电压的 5%	0.20W
5	40.00	125				
6	33.33	180				
9	22.22	405				
12	16.67	720				
24	8.57	2,800				
48	4.17	11,511				

Coil Nominal Voltage 额定电压 (VDC)	Nominal Current 额定电流 ±10%(mA)	Coil Resistance 线圈电阻 ±10% (Ω)	Max. Continuous Voltage 最大连续外加电压	Pick-Up Voltage 吸合电压 (Max)	Drop-Out Voltage 释放电压 (Min)	Rated power 额定功率
3	120.00	25	Coil Nominal Voltage 130% 额定电压的 130%	Coil Nominal Voltage 75% 额定电压的 75%	Coil Nominal Voltage 5% 额定电压的 5%	0.36W
5	72.00	69				
6	60.00	100				
9	40.00	225				
12	30.00	400				
24	15.00	1,600				
48	7.5	6,400				

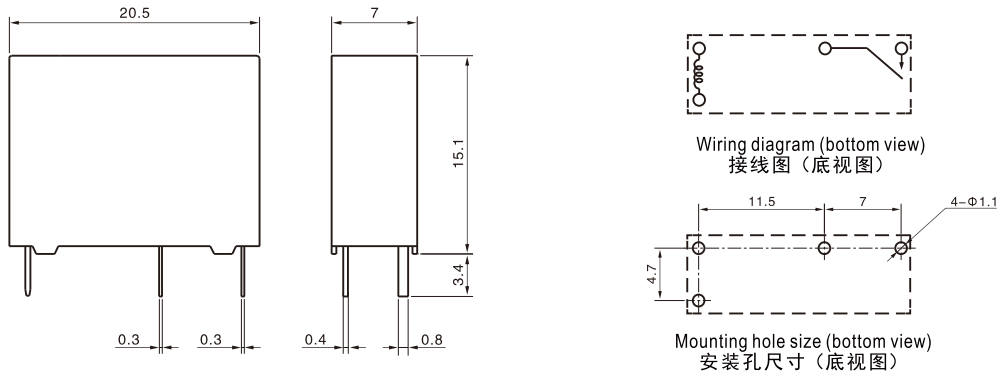
ORDERING INFORMATION 订货标记

QY46F-012-H-S-D-(XXX) 1 2 3 4 5 6	
1. Model Number 基本型号: QY46F	4. Enclosure: S-General Type, K-Sealed Type 封装形式: S-标准型, K-密封型
2. Coil Voltage 线圈规格 (VDC): 03,05,06,09,12,24,48	5. Coil Power: Nil - 0.20W, D-0.36W 线圈功率: 无-0.20W, D-0.36W
3. Contact Form: H-1 Form A 触点形式: H-1组常开	6. Features: XXX-Special Requirements, Nil-Standard Type 特性号: XXX-特殊要求, 无-标准型

SAFETY STANDARD安规认证

Approval认证类别	CQC	TUV	UL/C_UL
Authentication Load 认证负载	3A 250VAC 5A 250VAC	3A 277VAC 5A 277VAC	3A 277VAC 5A 277VAC 3A 30VDC 5A 277VAC

OUTLINE DIMENSIONS (UNIT:mm)外形尺寸 (单位: mm)



Undimensioned tolerance: <1mm: ±0.2mm 1~5mm: ±0.3mm >5mm: ±0.4mm
未标注尺寸公差: <1mm: ±0.2mm 1~5mm: ±0.3mm >5mm: ±0.4mm

Note: 1. The size of the lead foot is pre welding dimension. 注: 1、引出脚尺寸为预焊前尺寸
2. installation hole size tolerance: +0.1mm 2、安装孔尺寸公差: ±0.1mm

TYPICAL USE典型用途

- Communication ● Safety equipment, Smart home ● Office equipment, Etc..
- Household appliances, Such as air conditioners, Microwave ovens
- 通讯 ● 安全设备, 智能家居 ● 办公设备等 ● 家用电器, 如空调, 微波炉

PERFORMANCE CHART性能曲线图

