

200 AC Fan Series x200x60mm

CE RoHS

GENERAL SPECIFICATIONS

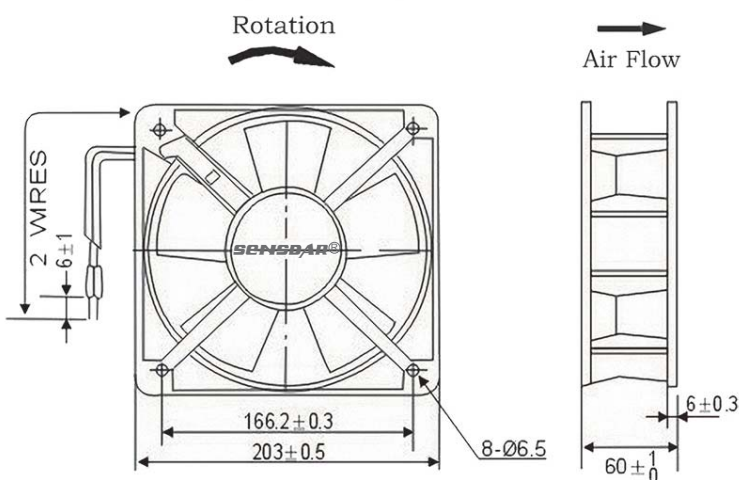
Bearing Type: Sleeve Bearing & Ball Bearing
 Material: Impeller: Plastic ; Frame: Aluminum Alloy
 Lead Wire: UL Type
 Operation Temperature: -10°C-65°C, 35%-85%RH
 Storage Temperature: -40°C-70°C, 35%-85%RH



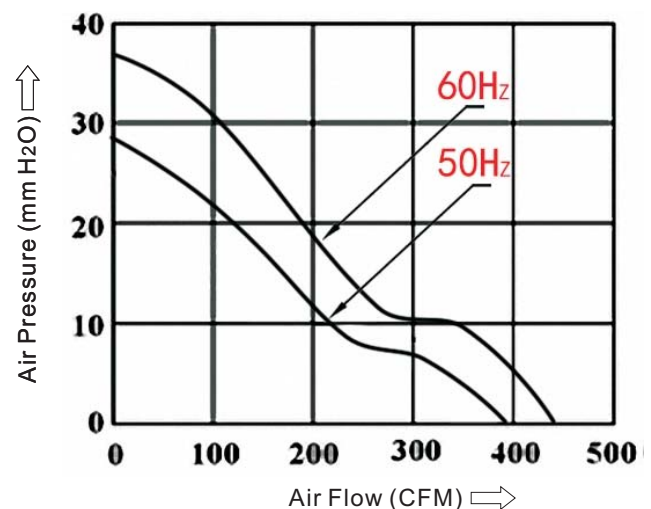
SPECIFICATIONS

Model	Bearing System		Rated Voltage	Frequency	Rated Current	Rated Input Power	Rated Speed	Air Flow	Air Pressure	Noise Level	Weight
	Ball	Sleeve	VAC	Hz	A	Watt	RPM	CFM	mmH ₂ O	dBA	g
SA2060M1B	●		110-125	50/60	0.76/0.85	61/65	2200/2600	360/388	24/25.4	50/56	1625
SA2060M2B	●		200-240	50/60	0.28/0.32	49/55	2200/2600	360/388	24/25.4	50/56	
SA2060M3B	●		380	50/60	0.20/0.23	54/62	2200/2600	360/388	24/25.4	50/56	

DIMENSIONS DRAWING



P&Q CURVE (AT RATED VOLTAGE)



Note:

- *All readings are typical values at rated voltage.
- *Specifications are subject to change without prior notice.