

60

DC Fan Series

x60x15mm

UL us CE RoHS

Optional Features



GENERAL SPECIFICATIONS

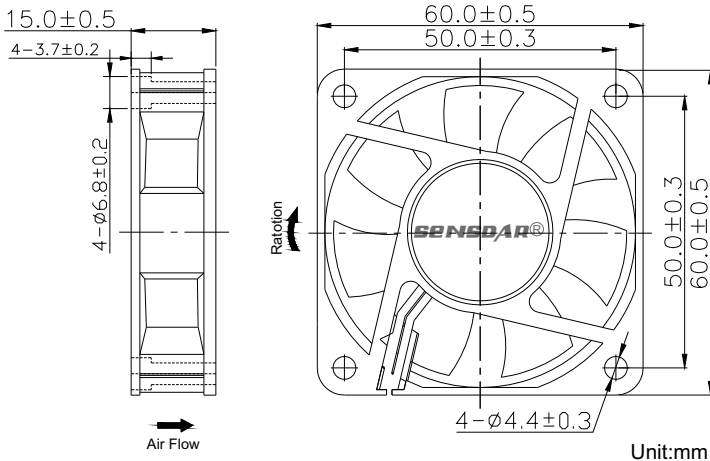
Bearing Type: Sleeve Bearing & Ball Bearing
 Material: Impeller & Frame: Plastic (UL94V-0)
 Lead Wire: UL Type
 Operation Temperature: -10°C-70°C, 35%-85%RH
 Storage Temperature: -40°C-80°C, 35%-85%RH



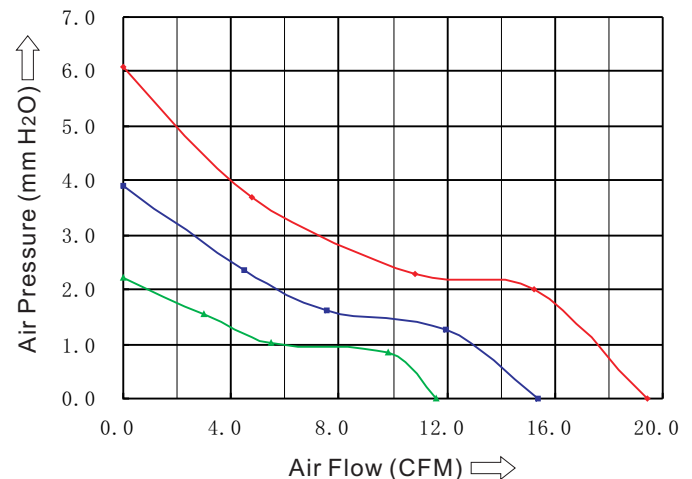
SPECIFICATIONS

Model	Bearing System		Rated Voltage	Operation Voltage	Rated Current	Rated Speed	Air Flow	Air Pressure	Noise Level	Weight
	Ball	Sleeve	VDC	VDC	A	RPM	CFM	mmH ₂ O	dBA	g
SD6015H5X	●	●	5.0	4.5-5.5	0.30	4000	15.4	3.9	32	44
SD6015M5X	●	●			0.20	3500	13.5	3.1	29	
SD6015L5X	●	●			0.13	3000	11.6	2.2	24	
SD6015H1X	●	●	12.0	6.0-13.8	0.28	5000	19.4	6.1	37	
SD6015M1X	●	●			0.18	4000	15.4	3.9	32	
SD6015L1X	●	●			0.10	3000	11.6	2.2	24	
SD6015H2X	●	●	24.0	12.0-27.6	0.15	5000	19.4	6.1	37	
SD6015M2X	●	●			0.10	4000	15.4	3.9	32	
SD6015L2X	●	●			0.06	3000	11.6	2.2	24	

DIMENSIONS DRAWING



P&Q CURVE (AT RATED VOLTAGE)



Note:

- *All readings are typical values at rated voltage.
- *Specifications are subject to change without prior notice.
- *"X" in model list can be B, S, and C, meaning Dual Ball Bearing, Sleeve Bearing and 1 Ball 1 Sleeve Bearing