

# 80

# EC Fan Series x80x25mm

c **UL** us **CE** **RoHS**

Optional Features



**NEW** AC FANS

ENERGY SAVING  
ECDYNAMIC™



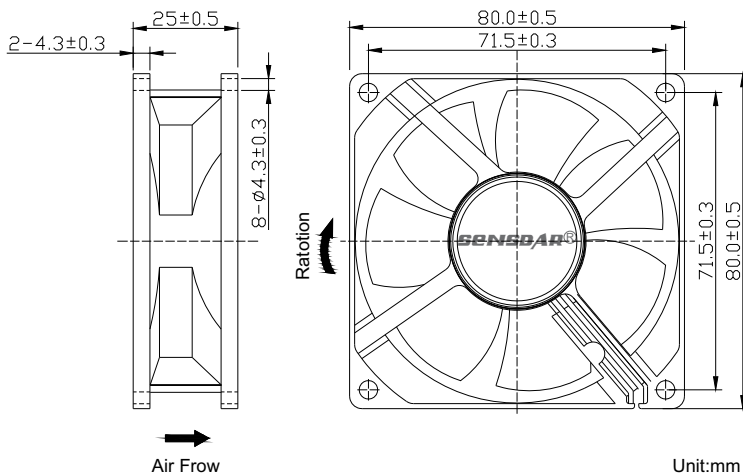
## GENERAL SPECIFICATIONS

Bearing Type: Sleeve Bearing & Ball Bearing  
 Material: Impeller & Frame: Plastic (UL94V-0)  
 Lead Wire: UL Type  
 Operation Temperature: -10°C-70°C, 35%-85%RH  
 Storage Temperature: -40°C-80°C, 35%-85%RH

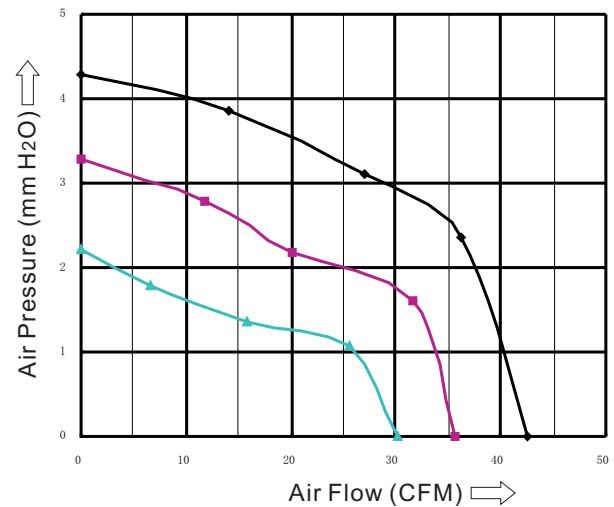
## SPECIFICATIONS

Model	Bearing System		Rated Voltage	Freq.	Operation Voltage	Rated Current	Power	Rated Speed	Air Flow	Air Pressure	Noise Level	Weight
	Ball	Sleeve	VAC	Hz	VAC	A	W	RPM	CFM	mmH <sub>2</sub> O	dBA	g
SE8025HB	●		115/230	50/60	98-264	0.05	5.0	3200	42.5	4.3	34	76
SE8025MX	●	●				0.04	4.0	2800	35.7	3.3	28	
SE8025LX	●	●				0.03	3.0	2400	30.2	2.2	23	

## DIMENSIONS DRAWING



## P&Q CURVE (AT RATED VOLTAGE)



Note:

\*All readings are typical values at rated voltage.

\*Specifications are subject to change without prior notice.

\*"X" in model list can be B, S, and C, meaning Dual Ball Bearing, Sleeve Bearing and 1 Ball 1 Sleeve Bearing