

80

EC Fan Series x80x38mm

UL us CE RoHS

Optional Features



NEW AC FANS

ENERGY SAVING
ECDYNAMIC™



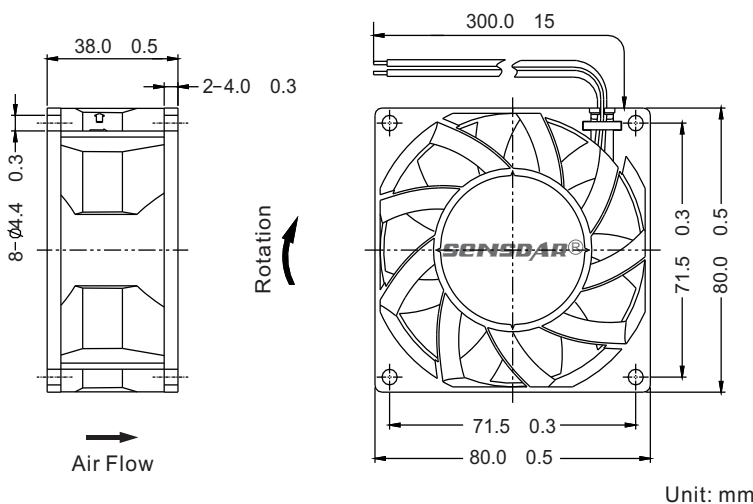
GENERAL SPECIFICATIONS

Bearing Type: Sleeve Bearing & Ball Bearing
 Material: Impeller & Frame: Plastic (UL94V-0)
 Lead Wire: UL Type
 Operation Temperature: -10°C-70°C, 35%-85%RH
 Storage Temperature: -40°C-80°C, 35%-85%RH

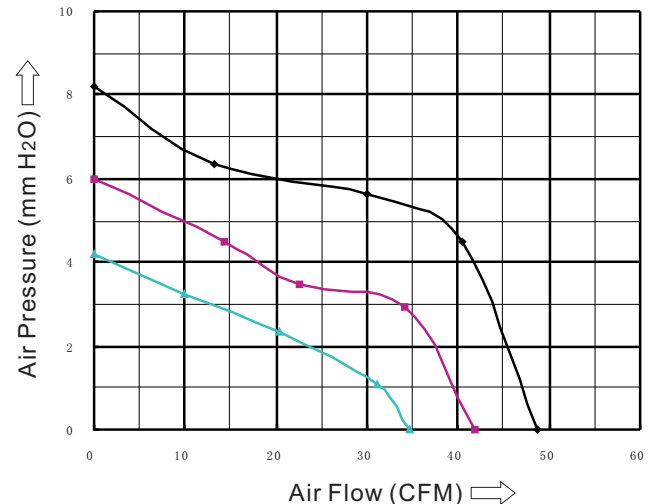
SPECIFICATIONS

Model	Bearing System		Rated Voltage	Freq.	Operation Voltage	Rated Current	Power	Rated Speed	Air Flow	Air Pressure	Noise Level	Weight
	Ball	Sleeve	VAC	Hz	VAC	A	W	RPM	CFM	mmH ₂ O	dBA	g
SE8038HX	●		115/230	50/60	98-264	0.06	6.0	3500	48.7	8.2	42	140
SE8038MX	●	●				0.04	4.0	3000	41.7	6.0	37	
SE8038LX	●	●				0.03	3.0	2500	34.8	4.2	32	

DIMENSIONS DRAWING



P&Q CURVE (AT RATED VOLTAGE)



Note:

- *All readings are typical values at rated voltage.
- *Specifications are subject to change without prior notice.
- *"X" in model list can be B, S, and C, meaning Dual Ball Bearing, Sleeve Bearing and 1 Ball 1 Sleeve Bearing