

### 1 General Specifications

- ▲ Motor.....Shaded Pole, impedance protected
- ▲ Bearing type.....Sleeve Bearing & Dual Ball Bearing
- ▲ Frame.....Aluminum die-cast painted black
- ▲ Impeller.....Glass reinforced thermoplastic (UL94V-0)

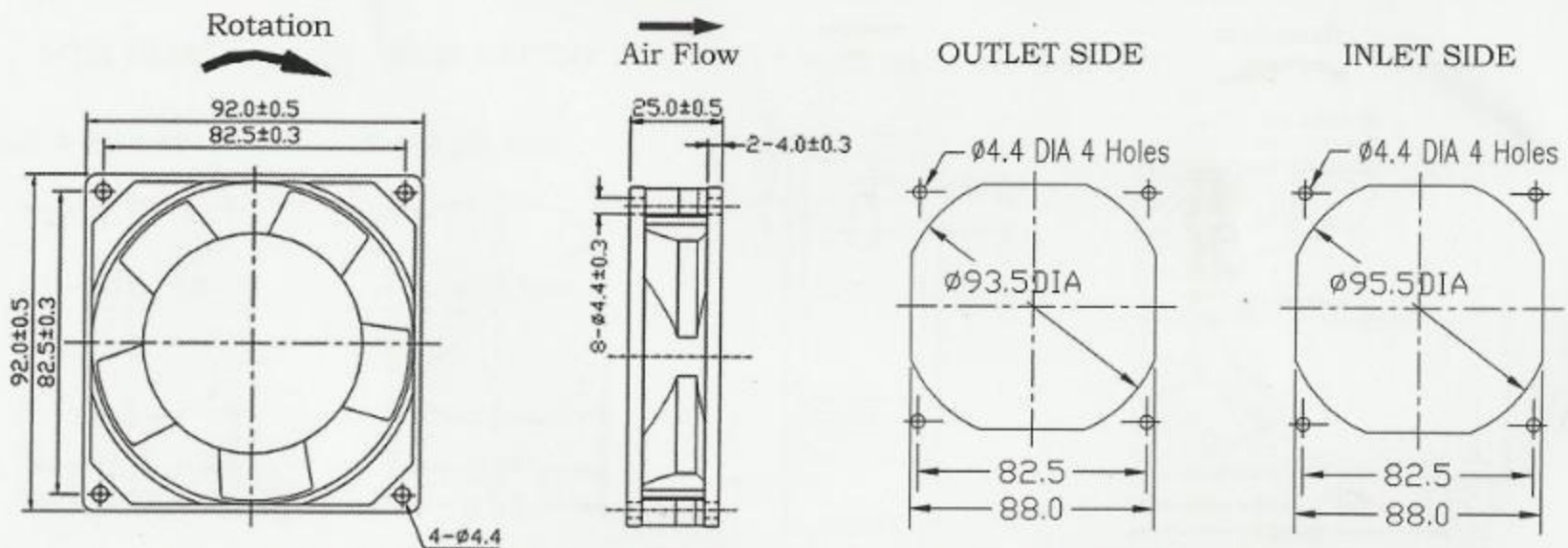
92\*92  
\*25 mm  
Axial Fan



### 2 Specifications

Model (型号)	Rated Voltage (VAC) (额定电压)	Freq (Hz) (电压范围)	Current Amp (A) (额定电流)	Rated Input Power (Watt) (额定功率)	Speed (RPM) (转速)	Air Flow (CFM) (风量)	Static Pressure (mm-H <sub>2</sub> O) (风压)	Noise Level (dB-A) (噪音)	Weight (G) (重量)
SD9225S1LM	110	50/60	0.14/0.12	15.4/13.2	2200/2600	25/31	2.3/3.3	36/40	270
SD9225B1LM	110	50/60	0.14/0.12	15.4/13.2	2250/2650	27/32	2.4/3.4	37/41	270
SD9225S2LM	220	50/60	0.08/0.07	17.6/15.4	2200/2600	25/31	2.3/3.3	36/40	270
SD9225B2LM	220	50/60	0.08/0.07	17.6/15.4	2250/2650	27/32	2.4/3.4	37/41	270
SD9225B3LM	380	50/60	0.05/0.04	19.0/15.2	2200/2600	25/31	2.3/3.3	36/40	270
SD9225B3LM	380	50/60	0.05/0.04	19.0/15.2	2250/2650	27/32	2.4/3.4	37/41	270

### 3 Dimensions (Unit:mm)



### 4 Fan Performance Curve

- ▲ Life Expectancy at 60°C
  - Ball bearing 30000 hours
  - Sleeve bearing 10000 hours
- ▲ Allowable Ambient Temperature Range
  - Ball bearing (-20°C ~ +75°C)
  - Sleeve bearing (-10°C ~ +50°C)
- ▲ Dielectric Strength
  - 1 min, at 1500 VAC, 50/60 Hz

