

Pitch:5mm

- 材质及电镀
螺丝: M3, 钢, 镀锌
簧片: 磷青铜, 镀镍或不锈钢
焊针: 黄铜, 镀锡
塑件: PBT, UL94V-0

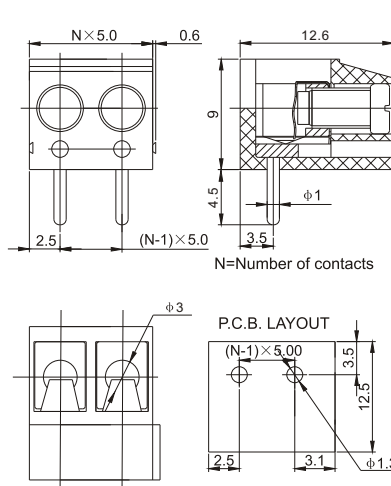
- 电气性能
额定电压: 300V
额定电流: 16A
接触电阻: 20mΩ
绝缘电阻: 5000MΩ/1000V
耐电压: AC1500V/1Min
使用线径: 22-14AWG 2.5mm²

- 机械性能
温度范围: -30°C~+120°C
瞬时温度: +250°C 5秒
扭矩: 0.5Nm(4.5lb.in)
剥线长度: 4.5-5mm

- Material
Screws: M3 steel Zinc plated
Wire guard: Phosphor bronze Ni plated or stainless steel
Pin header: Brass, Tin plated
Housing: PBT, UL94V-0

- Electrical
Rated voltage: 300V
Rated current: 16A
Contact resistance: 20mΩ
Insulation resistance: 5000MΩ/1000V
Withstanding voltage: AC1500V/1Min
Wire range: 22-14AWG 2.5mm²

- Mechanical
Temp.Range: -30°C~+120°C
MAX Soldering: +250°C, for 5 Sec.
Torque: 0.5Nm(4.5lb.in)
Strip length: 4.5-5mm



Pitch:5mm

- 材质及电镀
螺丝: M3, 钢, 镀锌
簧片: 磷青铜, 镀镍或不锈钢
焊针: 黄铜, 镀锡
塑件: PBT, UL94V-0

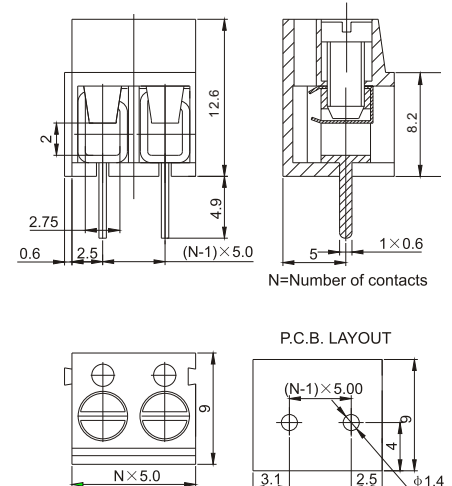
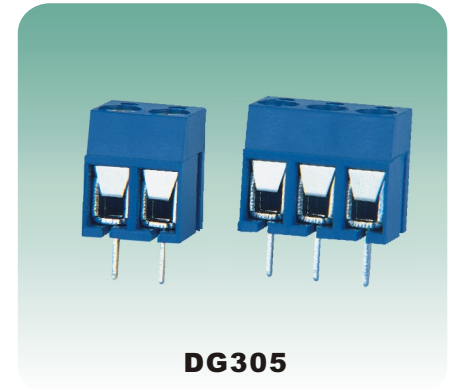
- 电气性能
额定电压: 300V
额定电流: 16A
接触电阻: 20mΩ
绝缘电阻: 5000MΩ/1000V
耐电压: AC1500V/1Min
使用线径: 22-14AWG 2.5mm²

- 机械性能
温度范围: -30°C~+120°C
瞬时温度: +250°C 5秒
扭矩: 0.5Nm(4.5lb.in)
剥线长度: 4.5-5mm

- Material
Screws: M3 steel Zinc plated
Wire guard: Phosphor bronze Ni plated or stainless steel
Pin header: Brass, Tin plated
Housing: PBT, UL94V-0

- Electrical
Rated voltage: 300V
Rated current: 16A
Contact resistance: 20mΩ
Insulation resistance: 5000MΩ/1000V
Withstanding voltage: AC1500V/1Min
Wire range: 22-14AWG 2.5mm²

- Mechanical
Temp.Range: -30°C~+120°C
MAX Soldering: +250°C, for 5 Sec.
Torque: 0.5Nm(4.5lb.in)
Strip length: 4.5-5mm



Pitch:5mm

- 材质及电镀
螺丝: M2.5, 钢, 镀锌
簧片: 磷青铜, 镀镍或不锈钢
焊针: 黄铜, 镀锡
塑件: PBT, UL94V-0

- 电气性能
额定电压: 300V
额定电流: 10A
接触电阻: 20mΩ
绝缘电阻: 5000MΩ/1000V
耐电压: AC1500V/1Min
使用线径: 22-14AWG 2.5mm²

- 机械性能
温度范围: -30°C~+120°C
瞬时温度: +250°C 5秒
扭矩: 0.4Nm(3.6lb.in)
剥线长度: 4.5-5mm

- Material
Screws: M2.5 steel Zinc plated
Wire guard: Phosphor bronze Ni plated or stainless steel
Pin header: Brass, Tin plated
Housing: PBT, UL94V-0

- Electrical
Rated voltage: 300V
Rated current: 10A
Contact resistance: 20mΩ
Insulation resistance: 5000MΩ/1000V
Withstanding voltage: AC1500V/1Min
Wire range: 22-14AWG 2.5mm²

- Mechanical
Temp.Range: -30°C~+120°C
MAX Soldering: +250°C, for 5 Sec.
Torque: 0.4Nm(3.6lb.in)
Strip length: 4.5-5mm