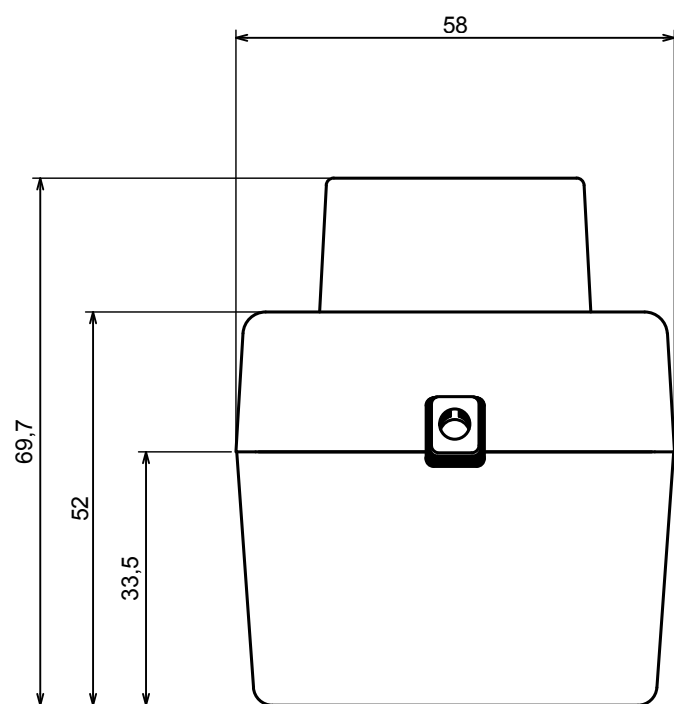
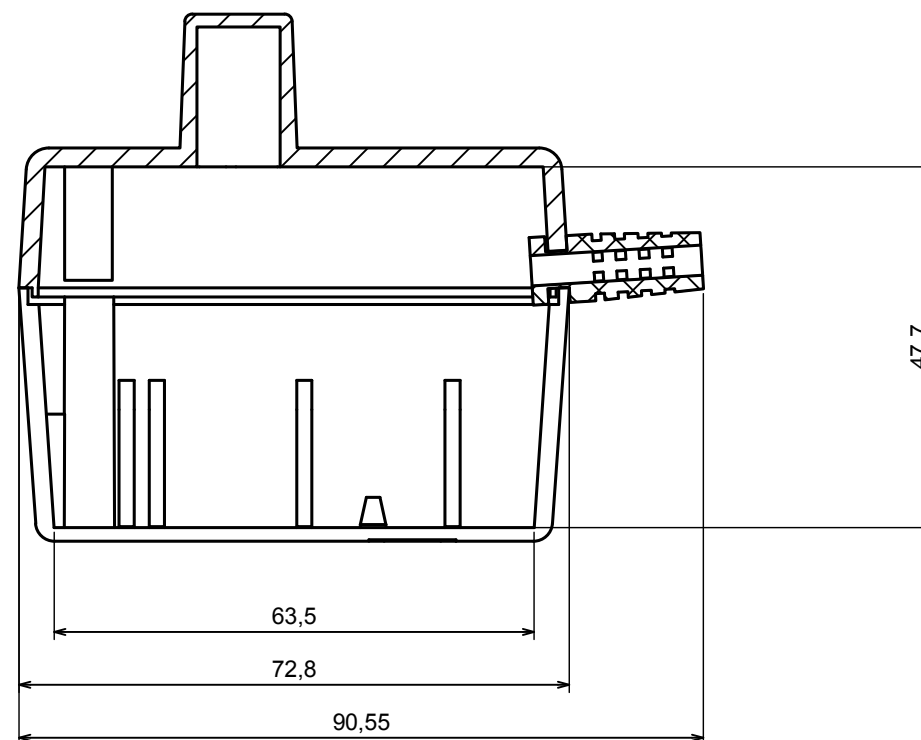


A |



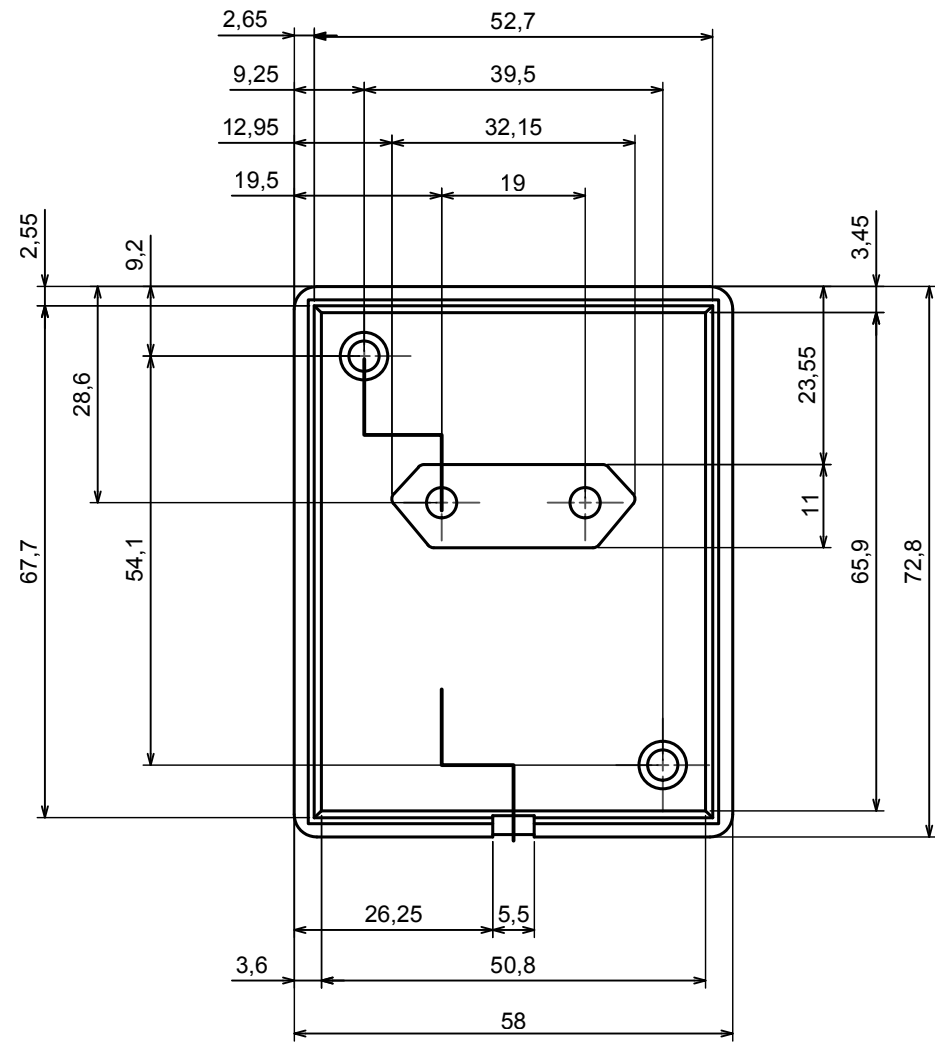
A |

A-A



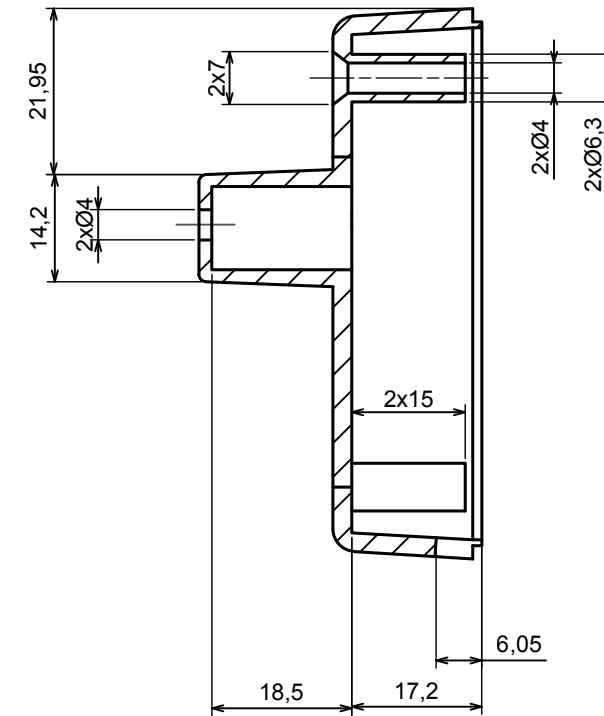
All rights reserved, Copyright Kradox 2017		
Product model	Enclosure Z10 - Assembly	
Format: A3	Material: PS, ABS	
Scale 1:1	Tolerance: +/- 0.5	

B |



B |

B-B



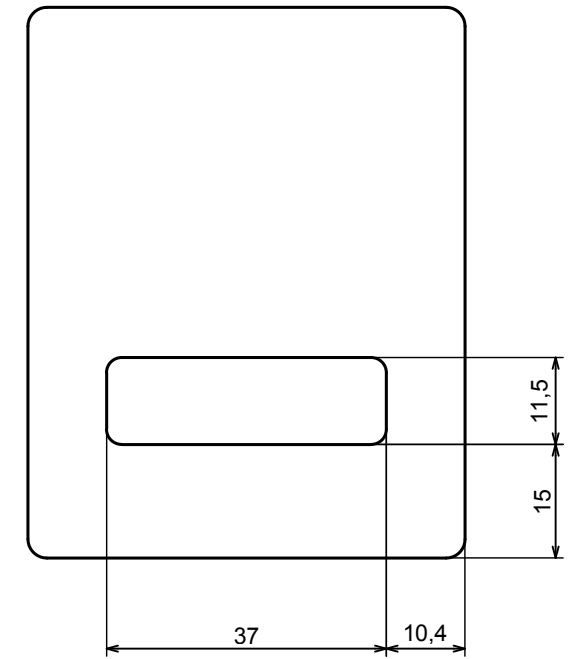
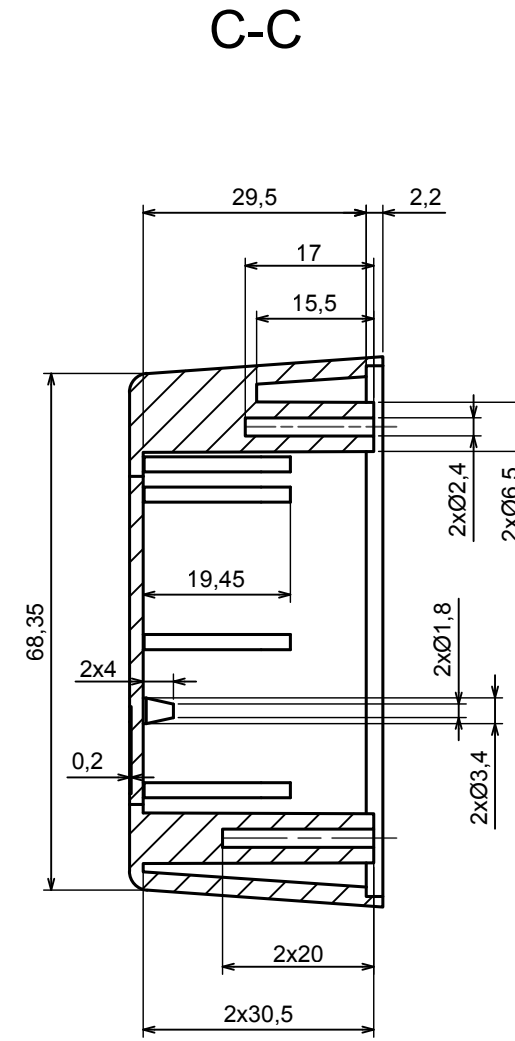
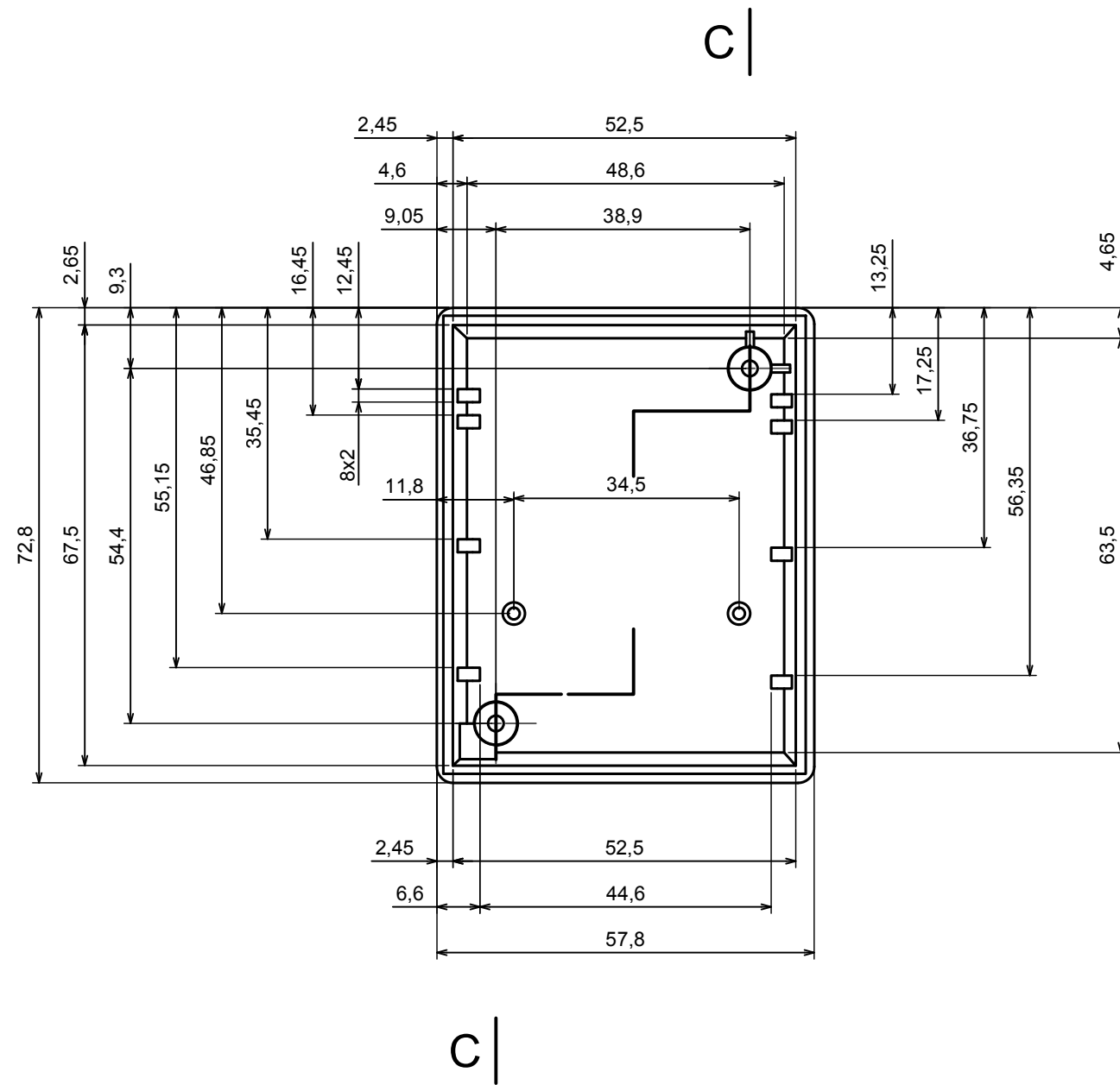
All rights reserved, Copyright Kradox 2017

Product model Enclosure Z10 - Base

Format: A3 Material: PS, ABS

Scale 1:1 Tolerance: +/- 0.5





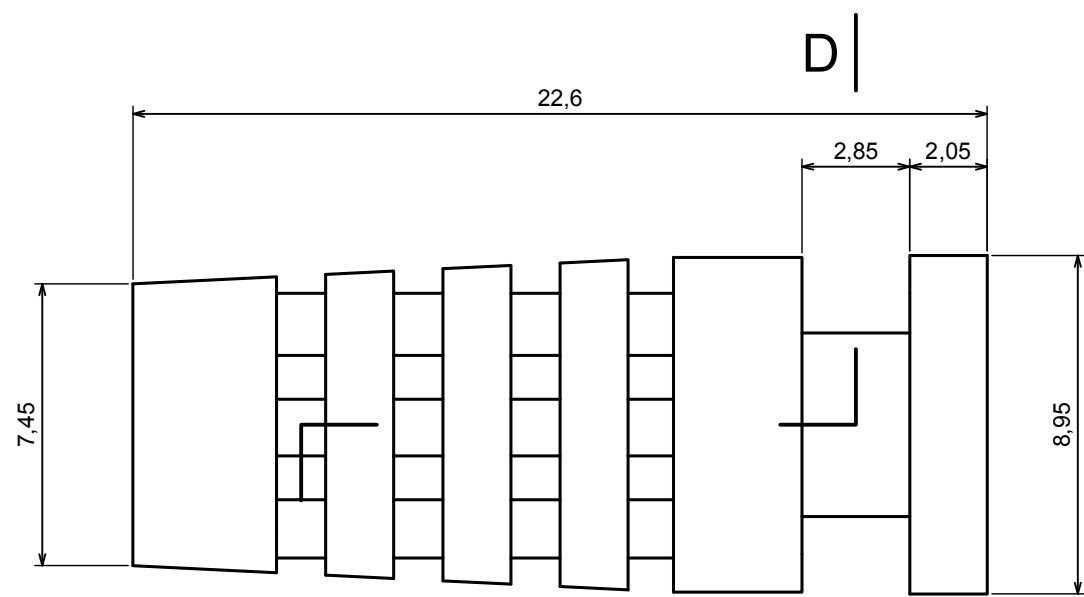
All rights reserved, Copyright Kradox 2017

Product model Enclosure Z10 - Cover

Format: A3 Material: PS, ABS

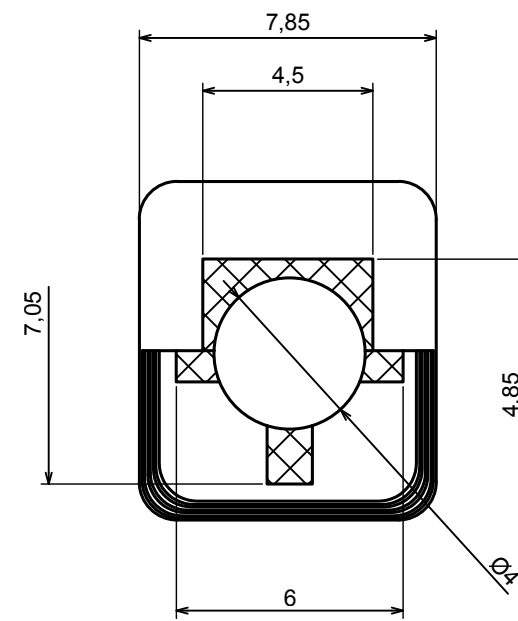
Scale 1:1 Tolerance: +/- 0.5





D |

D-D



All rights reserved, Copyright Kradox 2017

Product model Enclosure Z10 - Bendprotector

Format: A3 Material: Rubber

Scale 5:1 Tolerance: +/- 0.5

