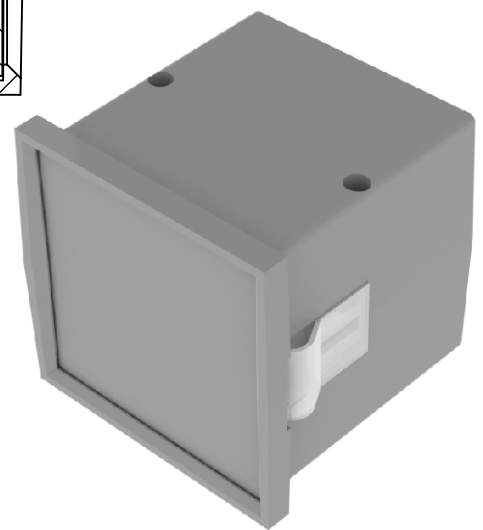


SECTION A-A



Components:

- top
- bottom
- 2x panel
- 2x elastic mounting element
- 2x screw

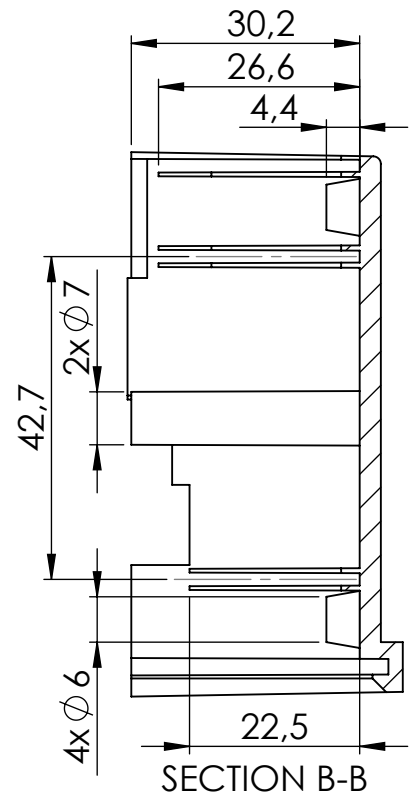
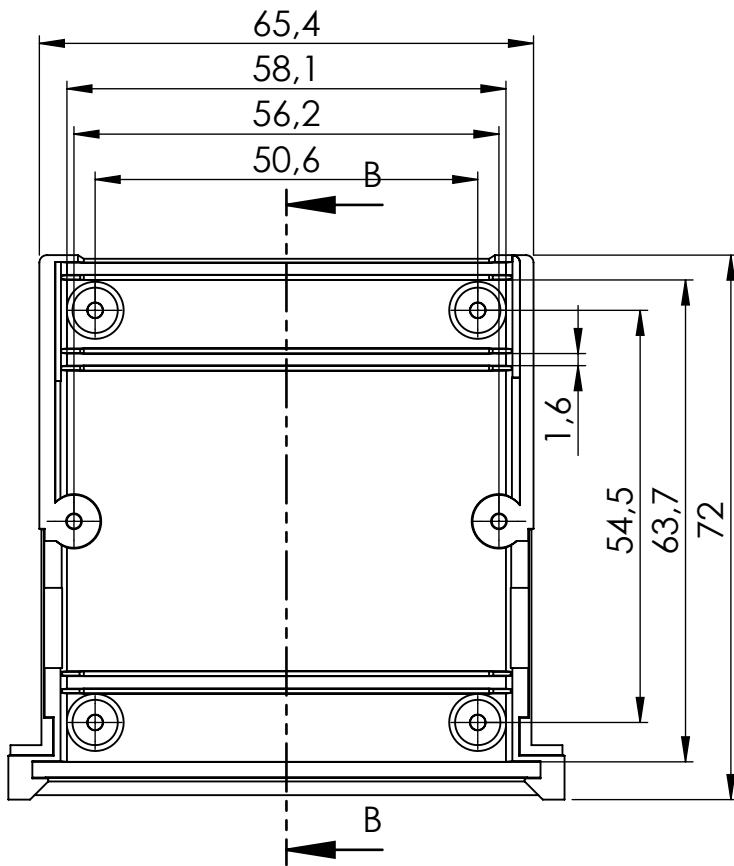
Dimensional tolerance $\pm 0,5$ mm

Format A4	Scale 1:1
Product No. KM-63 + PG	

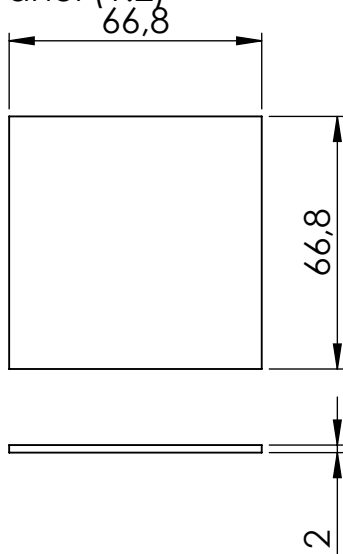


MASZCZYK[®]
PLASTIC ENCLOSURES

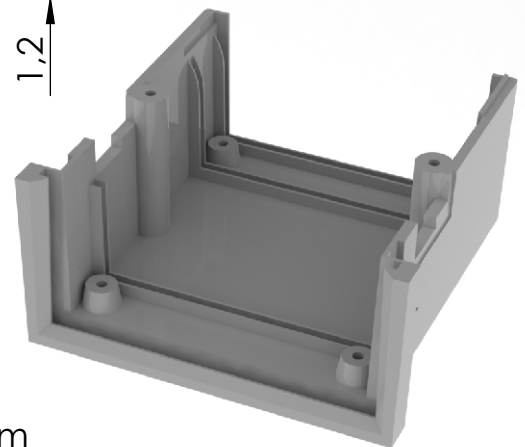
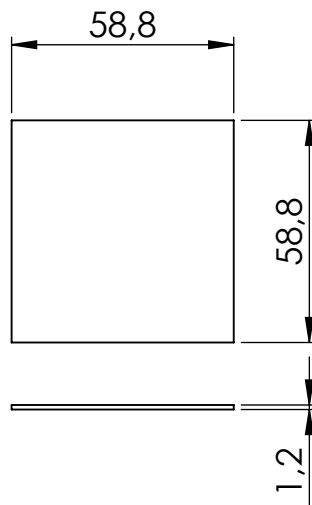
„MASZCZYK”
05-071 Sulejówek-Miłosna
ul. Mickiewicza 10
tel: (22) 783-45-20 kom: 602-726-086



Front panel (1:2)



Rear panel (1:2)



Dimensional tolerance $\pm 0,5$ mm

Format A4	Scale 1:1
Product No. KM-63 + PG	



MASZCZYK[®]
PLASTIC ENCLOSURES

„MASZCZYK”
05-071 Sulejówiek-Miłosna
ul. Mickiewicza 10
tel: (22) 783-45-20 kom: 602-726-086