

**3A, 4MHz HIGH EFFICIENCY SYNCHRONOUS BUCK CONVERTER**

**Description**

The AP3409/A is a current mode, PWM synchronous buck DC/DC converter, capable of driving a 3A load with high efficiency, excellent line and load regulation. It operates in continuous PWM mode.

The AP3409/A integrates synchronous P-channel and N-channel power MOSFET switches with low on-resistance. It is ideal for portable applications powered from a single Li-ion battery. 100% duty cycle and low on-resistance P-channel internal power MOSFET can maximize the battery life.

The switching frequency of AP3409/A can be programmable from 300kHz to 4MHz, which allows small-sized components, such as capacitors and inductors. A standard series of inductors from several different manufacturers are available. This feature greatly simplifies the design of switch-mode power supplies.

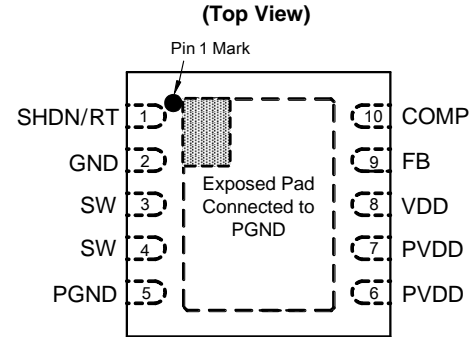
The AP3409/A is available in U-DFN3030-10 package.

**Features**

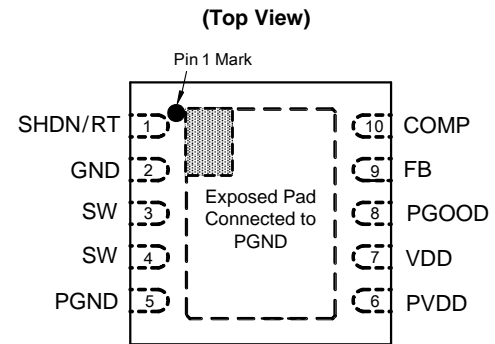
- Input Voltage Range: 2.6V to 5.5V
- Adjustable Output from 0.8V to 5V
- 0.8V Reference Voltage with  $\pm 2\%$  Precision
- Output Current: 3A
- High Efficiency up to 95%
- Low  $R_{DS(ON)}$  Internal Switches
- Programmable Frequency: 300kHz to 4MHz
- Current Mode Control
- Forced Continuous-mode Operation
- 100% Duty Cycle
- Built-in Soft-start
- Built-in Short Circuit Protection
- Built-in Thermal Shutdown Protection
- Built-in Current Limit Function
- PGOOD Output Voltage Monitoring (For AP3409A)
- U-DFN3030-10 package
- **Totally Lead-free & Fully RoHS Compliant (Note 1 & 2)**
- **Halogen and Antimony Free. "Green" Device (Note 3)**

Notes: 1. No purposely added lead. Fully EU Directive 2002/95/EC (RoHS) & 2011/65/EU (RoHS 2) compliant.  
 2. See [http://www.diodes.com/quality/lead\\_free.html](http://www.diodes.com/quality/lead_free.html) for more information about Diodes Incorporated's definitions of Halogen- and Antimony-free, "Green" and Lead-free.  
 3. Halogen- and Antimony-free "Green" products are defined as those which contain <900ppm bromine, <900ppm chlorine (<1500ppm total Br + Cl) and <1000ppm antimony compounds.

**Pin Assignments**



**U-DFN3030-10 (DN Package)  
For AP3409**

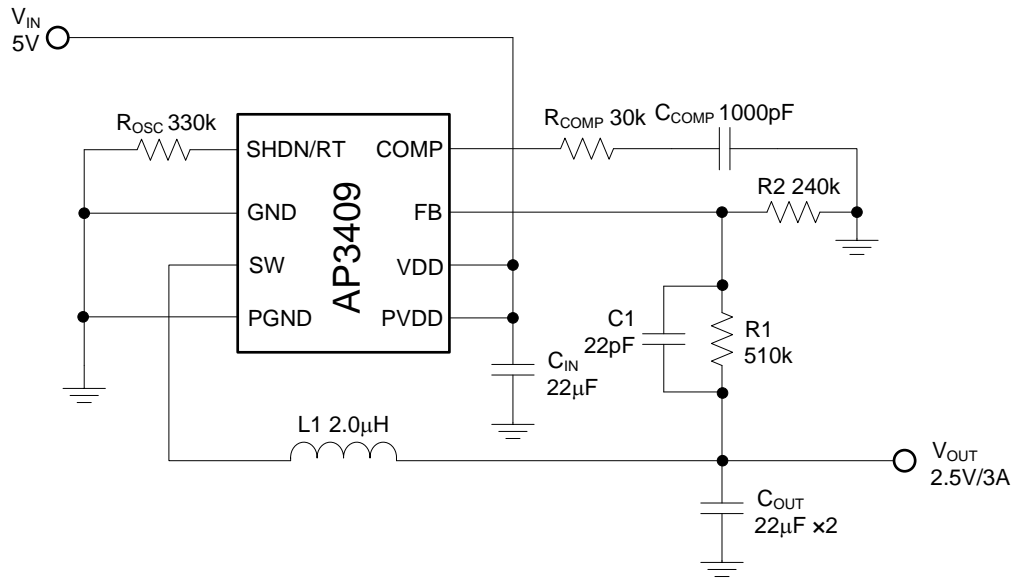


**U-DFN3030-10 (DN Package)  
For AP3409A**

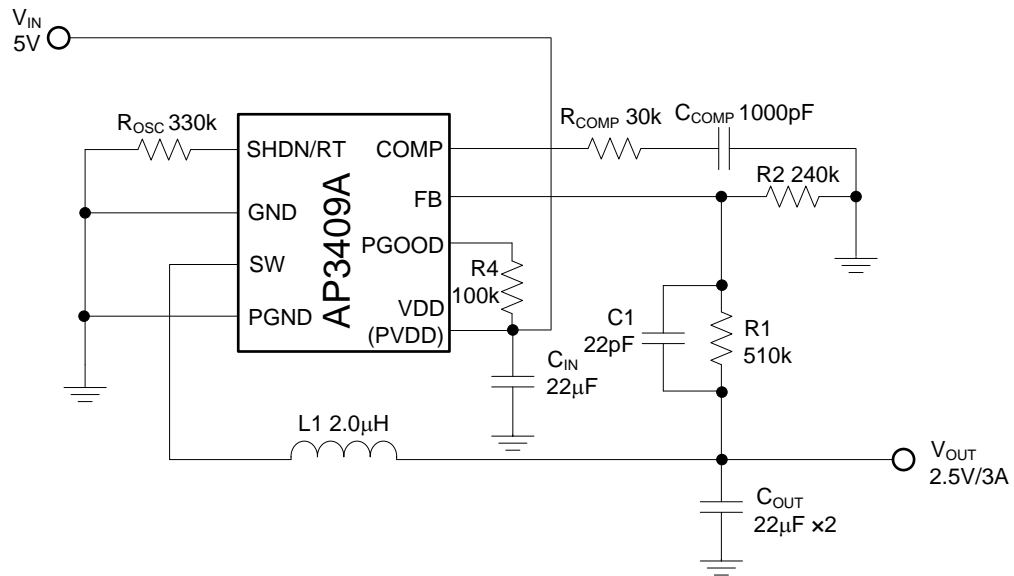
**Applications**

- Portable Media Player
- Digital Still and Video Cameras
- Notebook

**Typical Applications Circuit (Note 4)**



**Typical Application of AP3409**



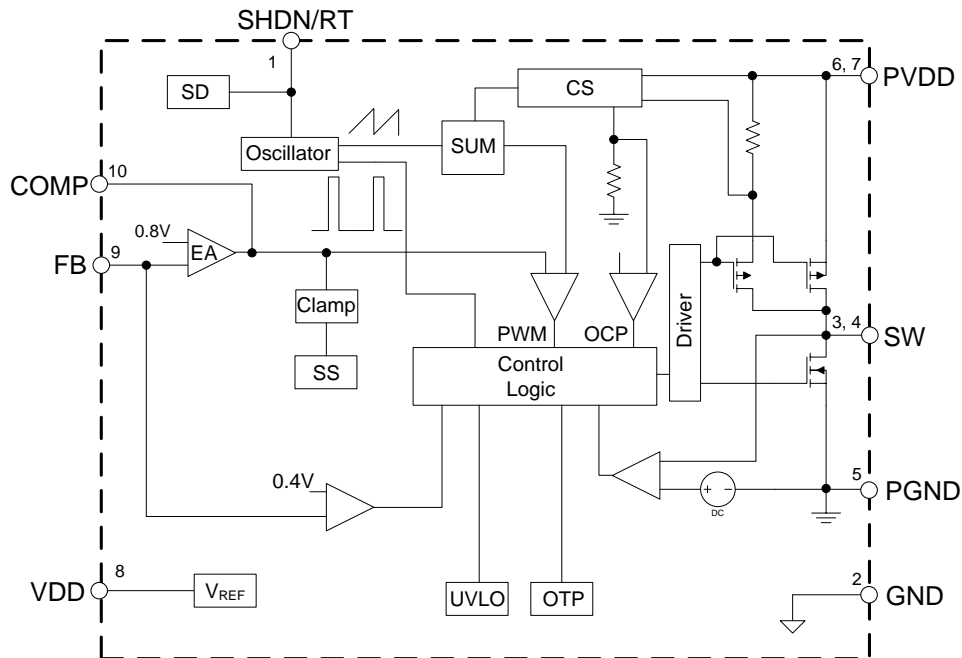
**Typical Application of AP3409A**

Notes 4:  $V_{OUT} = \frac{V_{FB} \times (R1 + R2)}{R2}$

## Pin Descriptions

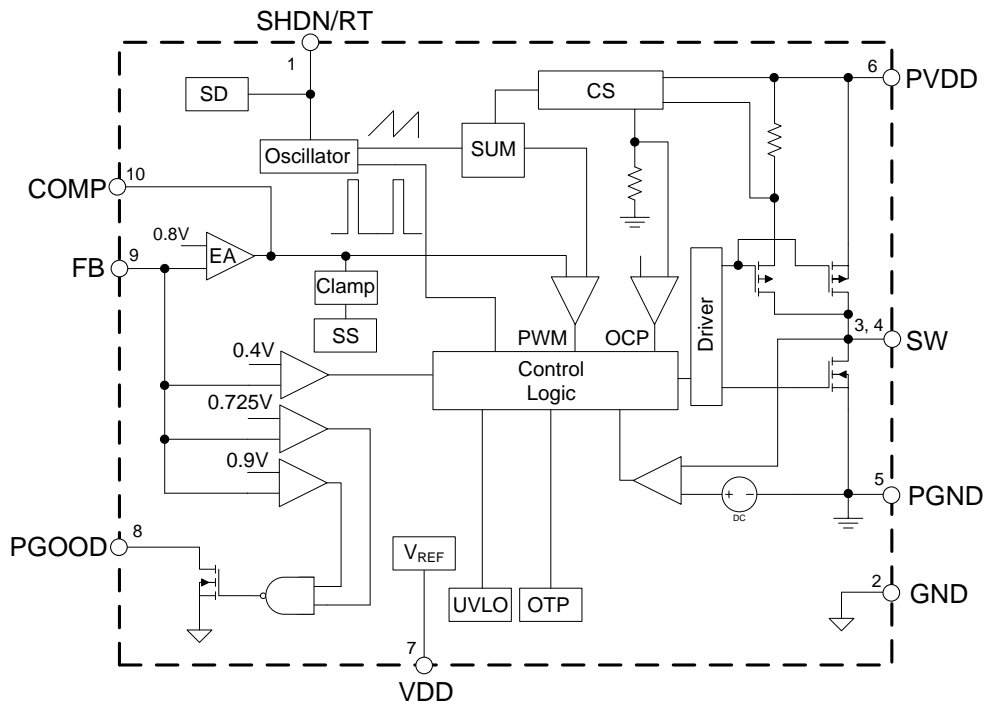
Pin Number		Pin Name	Function
AP3409	AP3409A		
1	1	SHDN/RT	Oscillator resistor input. Connect a resistor to GND from this pin to set the switching frequency. Forcing this pin to $V_{DD}$ to shutdown the device
2	2	GND	Signal ground. All small-signal ground, such as the compensation components and exposed pad should be connected to this, which in turn connects to PGND at one point
3, 4	3, 4	SW	Internal power switch output. Connect this pin with one terminal of the inductor
5	5	PGND	Power ground. Connect this pin as close as possible to $C_{IN}$ and $C_{OUT}$
6, 7	6	PVDD	Power Input Supply. Decouple this pin to PGND with a capacitor
8	7	VDD	Signal input supply. Decouple this pin to GND with a capacitor. Normally $V_{DD}$ is equal to $V_{PVDD}$
-	8	PGOOD	Power good indicator. This pin is open-drain logic output that is pulled to ground when the output voltage is not within $\pm 12.5\%$ of regulation point
9	9	FB	Feedback voltage. This pin is the inverting input of internal error amplifier. It senses the converter output voltage through an external resistor divider. The internal reference voltage is 0.8V, which determines the output voltage through the resistor divider
10	10	COMP	Compensation input. This pin is the output of internal error amplifier. Connect external compensation elements to this pin to stabilize the control loop

## Functional Block Diagram



Functional Block Diagram of AP3409

**Functional Block Diagram (Cont.)**



**Functional Block Diagram of AP3409A**

**Absolute Maximum Ratings (Note 5)**

Symbol	Parameter	Rating	Unit
V <sub>DD</sub>	VDD Pin Voltage	-0.3 to 6	V
V <sub>PVDD</sub>	PVDD Pin Voltage	-0.3 to 6	V
V <sub>FB</sub>	FB Pin Voltage	-0.3 to 6	V
V <sub>COMP</sub>	COMP Pin Voltage	-0.3 to 6	V
V <sub>SW</sub>	SW Pin Voltage	-0.3 to V <sub>IN</sub> +0.3	V
V <sub>RT</sub>	SHDN/RT Pin Voltage	-0.3 to 6	V
θ <sub>JA</sub>	Thermal Resistance (Junction to Ambient)	110	°C/W
θ <sub>JC</sub>	Thermal Resistance (Junction to Case)	3	°C/W
T <sub>J</sub>	Operating Junction Temperature	+150	°C
T <sub>STG</sub>	Storage Temperature	-65 to +150	°C
T <sub>LEAD</sub>	Lead Temperature (Soldering, 10 sec)	+260	°C
-	ESD (Machine Model)	200	V
-	ESD (Human Body Model)	2000	V

Note 5: Stresses greater than those listed under "Absolute Maximum Ratings" may cause permanent damage to the device. These are stress ratings only, and functional operation of the device at these or any other conditions beyond those indicated under "Recommended Operating Conditions" is not implied. Exposure to "Absolute Maximum Ratings" for extended periods may affect device reliability.

## Recommended Operating Conditions

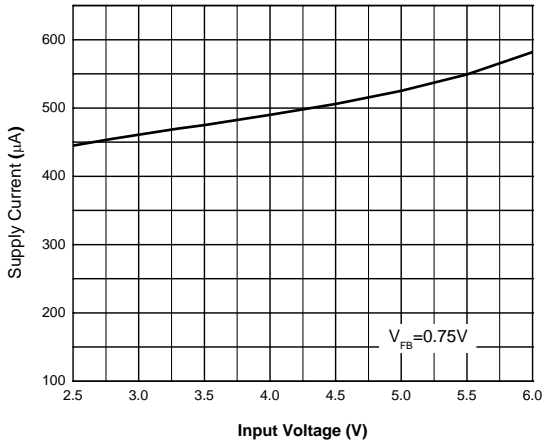
Symbol	Parameter	Min	Max	Unit
$V_{IN}$	Input Voltage	2.6	5.5	V
$I_{OUT (MAX)}$	Maximum Output Current	3	–	A
$T_J$	Operating Junction Temperature	-40	+125	°C

## Electrical Characteristics ( $V_{IN}=V_{DD}=V_{PVDD}=3.3V$ , $T_A=+25^{\circ}C$ , unless otherwise specified.)

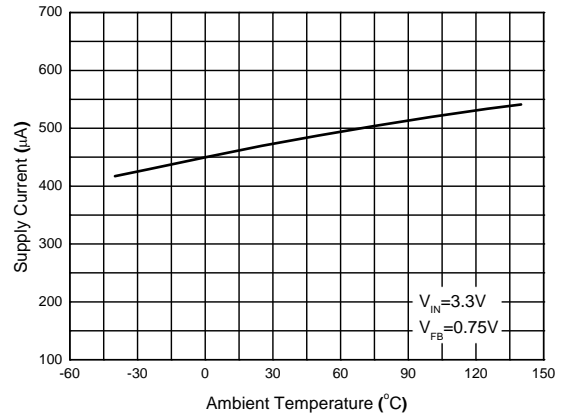
Symbol	Parameter	Conditions	Min	Typ	Max	Unit	
<b>INPUT SECTION</b>							
$V_{DD}$	Input Voltage Range		2.6	–	5.5	V	
$I_Q$	Supply Current	$V_{FB}=0.75V$ , No Switching	–	460	–	$\mu A$	
$I_{SHDN}$	Shutdown Supply Current	Shutdown, $V_{IN}=5.5V$	–	–	1	$\mu A$	
$V_{UVLO}$	Under Voltage Threshold Lockout	$V_{DD}$ Rising	–	2.2	–	V	
$V_{HUVLO}$	Under Voltage Hysteresis Lockout	–	–	300	–	mV	
<b>FEEDBACK SECTION</b>							
$V_{FB}$	Feedback Voltage	–	0.784	0.8	0.816	V	
$I_{FB}$	FB Pin Bias Current	–	–	0.1	0.4	$\mu A$	
$R_T$	Current Sense Trans-resistance	–	–	0.2	–	$\Omega$	
–	Switching Leakage Current	$V_{SHDN/RT}=V_{IN}=5.5V$	–	–	1	$\mu A$	
$G_V$	Error Gain Amplifier Voltage	–	–	800	–	–	
$G_S$	Error Amplifier Trans-conductance	–	–	800	–	$\mu A/V$	
<b>OSCILLATOR SECTION</b>							
$V_{RT}$	RT Pin Voltage	–	0.76	0.8	0.84	V	
$f_{OSC}$	Switching Frequency	$R_{OSC}=330k\Omega$	0.8	1	1.2	MHz	
		ADJ Frequency	0.3	–	4	MHz	
$D_{MAX}$	Maximum Duty Cycle	$V_{FB}=0.75V$	100	–	–	%	
<b>POWER SWITCH SECTION</b>							
$I_{LIMIT}$	Switch Current Limit	AP3409	$V_{FB}=0.75V$	3.2	4.2	–	A
		AP3409A		3.5	4.2	–	A
$R_{PDSON}$	Internal P-FET On Resistance	$I_{SW}=500mA$	–	0.11	0.16	$\Omega$	
$R_{NDSON}$	Internal N-FET On Resistance	$I_{SW}=-500mA$	–	0.11	0.17	$\Omega$	
<b>SHDN/RT SECTION</b>							
–	Shutdown Threshold	–	–	$V_{DD}-0.7$	$V_{DD}-0.4$	V	
<b>PGOOD SECTION (Only for AP3409A)</b>							
–	PGOOD Voltage Range	–	–	$\pm 12.5$	$\pm 15$	%	
–	PGOOD Pull Down Resistance	–	–	–	120	$\Omega$	
<b>TOTAL DEVICE</b>							
$I_{OUT}$	Output Current	$V_{DD}=2.6V$ to $5.5V$ , $V_{OUT}=2.5V$	3	–	–	A	
LNR	Output Voltage Line Regulation	$V_{DD}=2.7V$ to $5.5V$ , $I_{OUT}=100mA$	–	0.4	–	%/V	
LOD	Output Voltage Load Regulation	$I_{OUT}=0.01A$ to $3A$	–	$\pm 0.2$	–	%	
$t_{SS}$	Soft-start Time	$I_{OUT}=10mA$	–	1.5	–	ms	
$T_{OTSD}$	Thermal Shutdown Temperature	–	–	+160	–	°C	
$T_{HYS}$	Thermal Shutdown Temperature Hysteresis	–	–	+20	–	°C	

**Performance Characteristics** ( $V_{IN}=V_{DD}=V_{PVDD}=3.3V$ ,  $T_A=+25^\circ C$ , unless otherwise specified.)

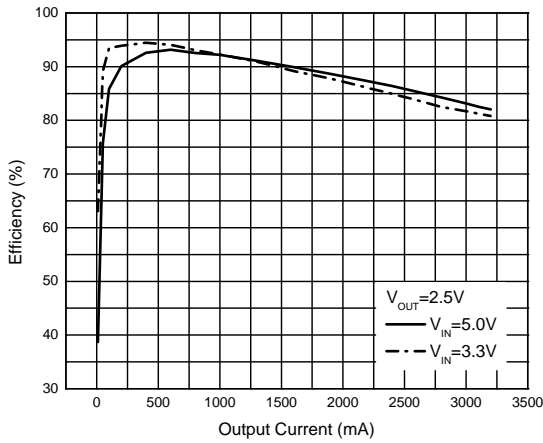
**Supply Current vs. Input Voltage**



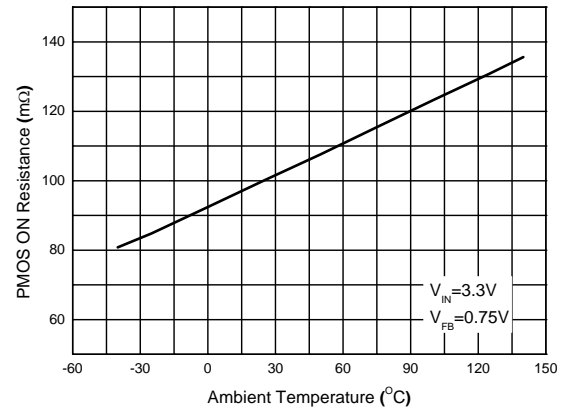
**Supply Current vs. Ambient Temperature**



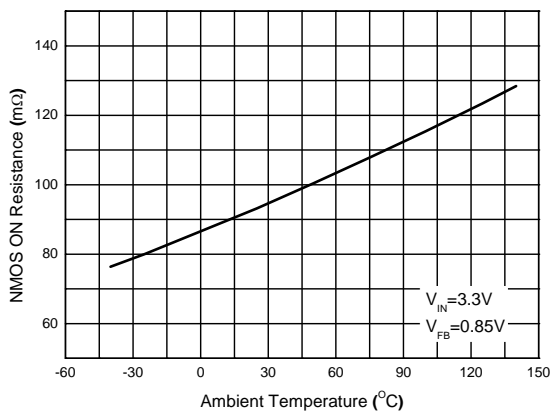
**Efficiency vs. Output Current**



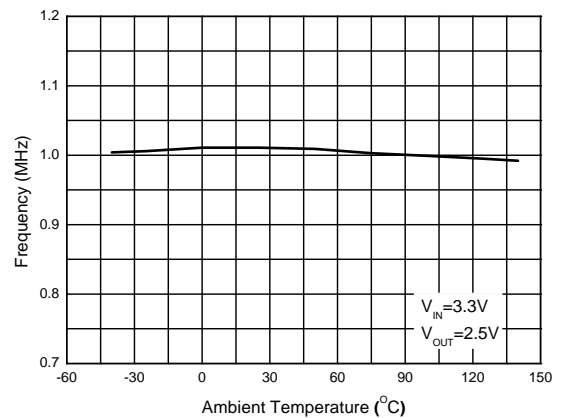
**PMOS ON Resistance vs. Ambient Temperature**



**NMOS ON Resistance vs. Ambient Temperature**

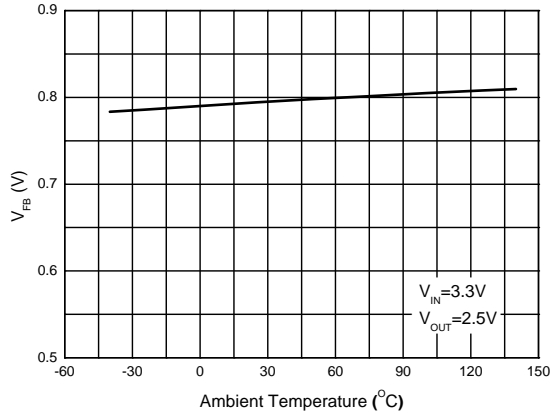


**Frequency vs. Ambient Temperature**

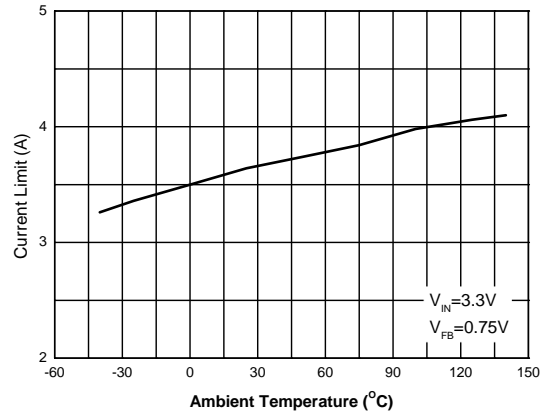


**Performance Characteristics** (Cont.  $V_{IN}=V_{DD}=V_{PVDD}=3.3V$ ,  $T_A=+25^{\circ}C$ , unless otherwise specified.)

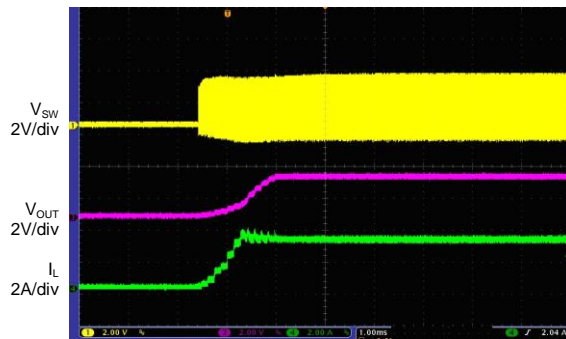
**$V_{FB}$  vs. Ambient Temperature**



**Current Limit vs. Ambient Temperature**

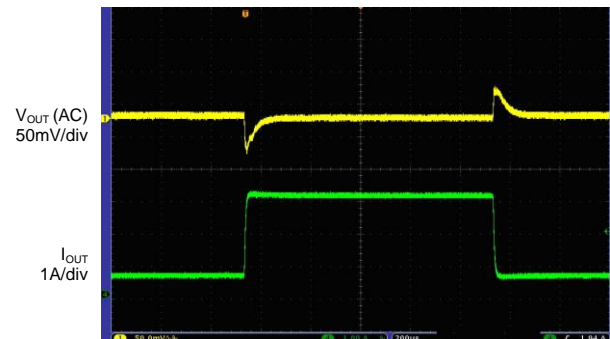


**Start-up from  $V_{IN}$  ( $V_{IN}=3.3V$ ,  $V_{OUT}=2.5V$ ,  $I_{OUT}=3A$ )**



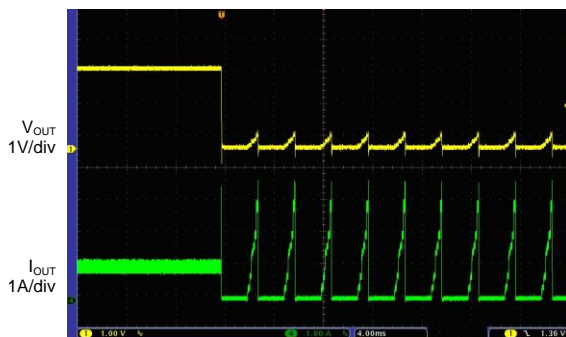
Time 1ms/div

**Load Transient Response ( $V_{IN}=3.3V$ ,  $V_{OUT}=2.5V$ ,  $I_{OUT}=0.5A$  to  $3A$ )**



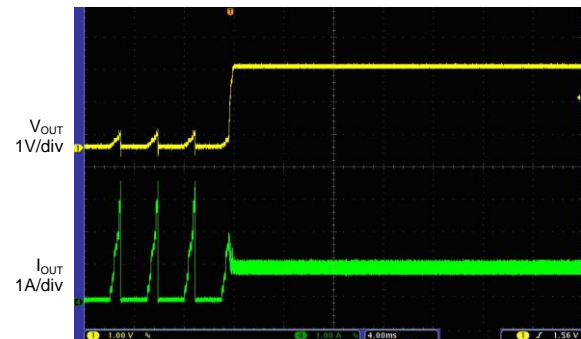
Time 200µs/div

**Short Circuit Protection ( $V_{IN}=3.3V$ ,  $V_{OUT}=2.5V$ )**



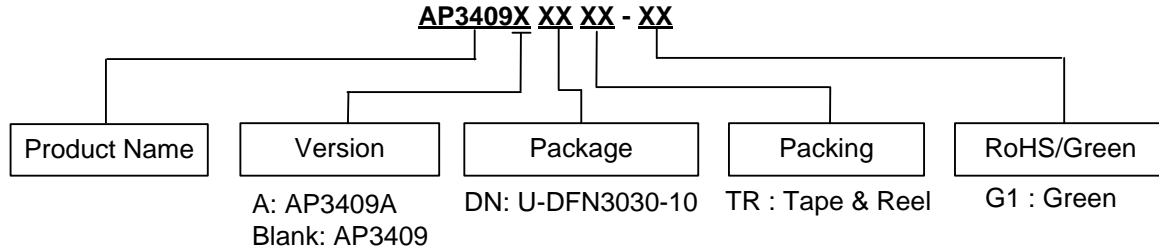
Time 4ms/div

**Short Circuit Recovery ( $V_{IN}=3.3V$ ,  $V_{OUT}=2.5V$ )**



Time 4ms/div

## Ordering Information

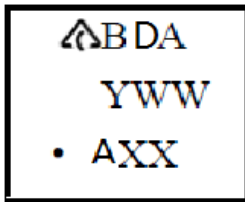


Diodes IC's Pb-free products with "G1" suffix in the part number, are RoHS compliant and green.

Package	Temperature Range	Part Number	Marking ID	Packing
U-DFN3030-10	-40 to +125°C	AP3409DNTR-G1	BDA	5000/Tape & Reel
		AP3409ADNTR-G1	BCA	5000/Tape & Reel

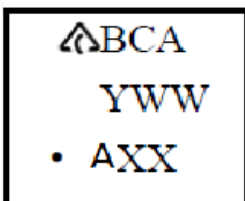
## Marking Information

### AP3409 (Top View)



First Line: Logo and Marking ID  
 Second and Third Lines: Date Code  
 Y: Year  
 WW: Work Week of Molding  
 A: Assembly House Code  
 XX: 7<sup>th</sup> and 8<sup>th</sup> Digits of Batch No.

### AP3409A (Top View)

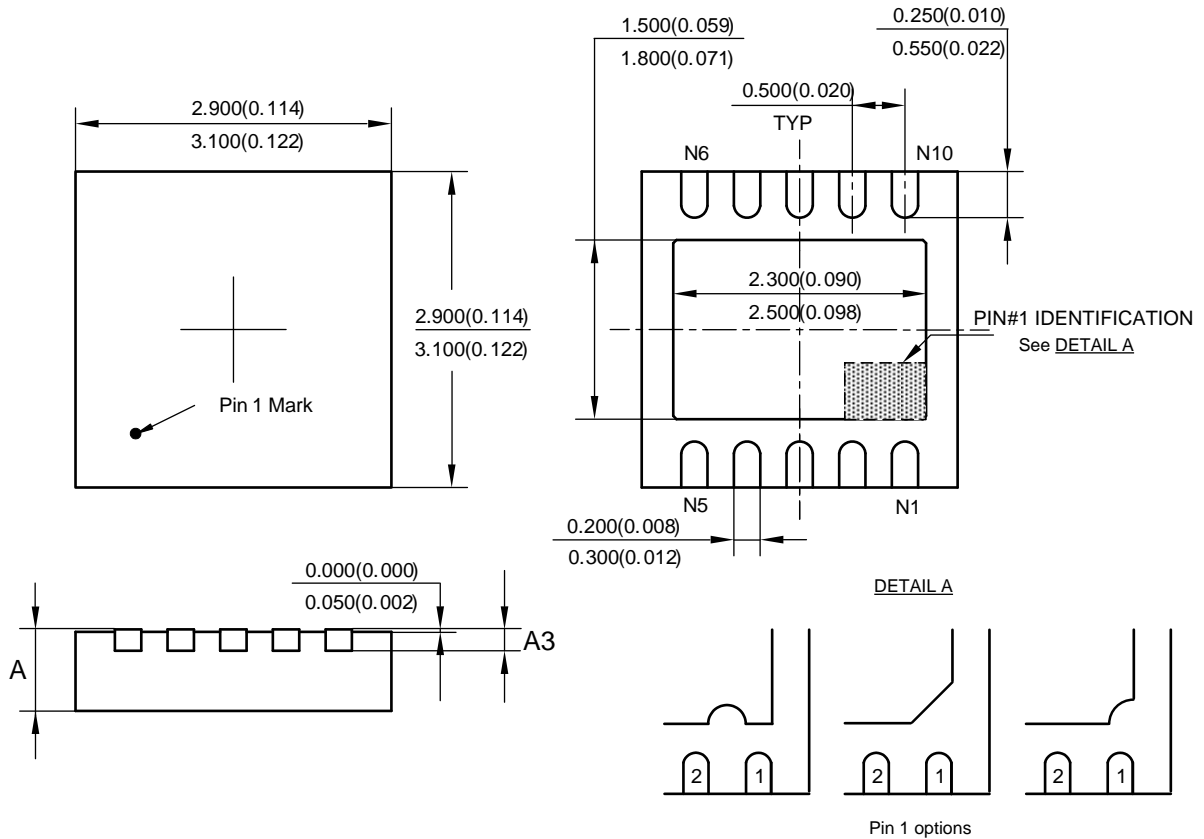


First Line: Logo and Marking ID  
 Second and Third Lines: Date Code  
 Y: Year  
 WW: Work Week of Molding  
 A: Assembly House Code  
 XX: 7<sup>th</sup> and 8<sup>th</sup> Digits of Batch No.



**Package Outline Dimensions** (All dimensions in mm(inch).)

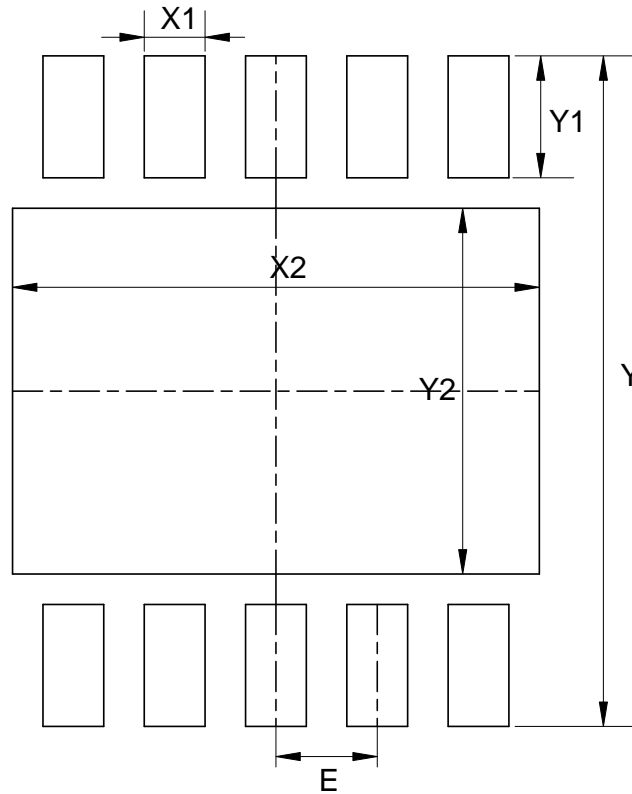
(1) Package Type: U-DFN3030-10



Symbol	A				A3			
	min(mm)	max(mm)	min(inch)	max(inch)	min(mm)	max(mm)	min(inch)	max(inch)
Option 1	0.700	0.800	0.028	0.031	0.153	0.253	0.006	0.010
Option 2	0.570	0.630	0.022	0.025	0.150 (Typ)		0.006 (Typ)	

**Suggested Pad Layout**

(1) Package Type: U-DFN3030-10



Dimensions	Y (mm)/(inch)	X1 (mm)/(inch)	Y1 (mm)/(inch)	X2 (mm)/(inch)	Y2 (mm)/(inch)	E (mm)/(inch)
Value	3.300/0.130	0.300/0.012	0.600/0.024	2.600/0.102	1.800/0.071	0.500/0.020

**IMPORTANT NOTICE**

DIODES INCORPORATED MAKES NO WARRANTY OF ANY KIND, EXPRESS OR IMPLIED, WITH REGARDS TO THIS DOCUMENT, INCLUDING, BUT NOT LIMITED TO, THE IMPLIED WARRANTIES OF MERCHANTABILITY AND FITNESS FOR A PARTICULAR PURPOSE (AND THEIR EQUIVALENTS UNDER THE LAWS OF ANY JURISDICTION).

Diodes Incorporated and its subsidiaries reserve the right to make modifications, enhancements, improvements, corrections or other changes without further notice to this document and any product described herein. Diodes Incorporated does not assume any liability arising out of the application or use of this document or any product described herein; neither does Diodes Incorporated convey any license under its patent or trademark rights, nor the rights of others. Any Customer or user of this document or products described herein in such applications shall assume all risks of such use and will agree to hold Diodes Incorporated and all the companies whose products are represented on Diodes Incorporated website, harmless against all damages.

Diodes Incorporated does not warrant or accept any liability whatsoever in respect of any products purchased through unauthorized sales channel. Should Customers purchase or use Diodes Incorporated products for any unintended or unauthorized application, Customers shall indemnify and hold Diodes Incorporated and its representatives harmless against all claims, damages, expenses, and attorney fees arising out of, directly or indirectly, any claim of personal injury or death associated with such unintended or unauthorized application.

Products described herein may be covered by one or more United States, international or foreign patents pending. Product names and markings noted herein may also be covered by one or more United States, international or foreign trademarks.

This document is written in English but may be translated into multiple languages for reference. Only the English version of this document is the final and determinative format released by Diodes Incorporated.

**LIFE SUPPORT**

Diodes Incorporated products are specifically not authorized for use as critical components in life support devices or systems without the express written approval of the Chief Executive Officer of Diodes Incorporated. As used herein:

A. Life support devices or systems are devices or systems which:

1. are intended to implant into the body, or
2. support or sustain life and whose failure to perform when properly used in accordance with instructions for use provided in the labeling can be reasonably expected to result in significant injury to the user.

B. A critical component is any component in a life support device or system whose failure to perform can be reasonably expected to cause the failure of the life support device or to affect its safety or effectiveness.

Customers represent that they have all necessary expertise in the safety and regulatory ramifications of their life support devices or systems, and acknowledge and agree that they are solely responsible for all legal, regulatory and safety-related requirements concerning their products and any use of Diodes Incorporated products in such safety-critical, life support devices or systems, notwithstanding any devices- or systems-related information or support that may be provided by Diodes Incorporated. Further, Customers must fully indemnify Diodes Incorporated and its representatives against any damages arising out of the use of Diodes Incorporated products in such safety-critical, life support devices or systems.

Copyright © 2012, Diodes Incorporated

[www.diodes.com](http://www.diodes.com)

# Mouser Electronics

Authorized Distributor

Click to View Pricing, Inventory, Delivery & Lifecycle Information:

[Diodes Incorporated:](#)

[AP3409DNTR-G1](#)