

Product Summary

Device	$V_{(BR)DSS}$	$R_{DS(on) max}$	I_D $T_A = +25^\circ C$
Q2	60V	55mΩ @ $V_{GS} = 10V$	4.7A
Q1	-60V	105mΩ @ $V_{GS} = -10V$	-3.9A

Description

This new generation MOSFET has been designed to minimize the on-state resistance ($R_{DS(on)}$) and yet maintain superior switching performance, making it ideal for high efficiency power management applications.

Applications

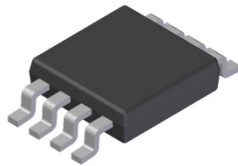
- DC-DC Converters
- Power Management Functions
- Backlighting

Features and Benefits

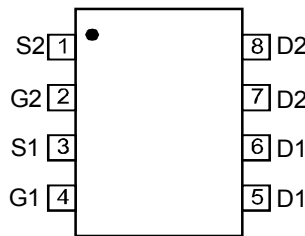
- Low Input Capacitance
- Low On-Resistance
- Fast Switching Speed
- **Totally Lead-Free & Fully RoHS Compliant (Notes 1 & 2)**
- **Halogen and Antimony Free. "Green" Device (Note 3)**
- **Qualified to AEC-Q101 Standards for High Reliability**

Mechanical Data

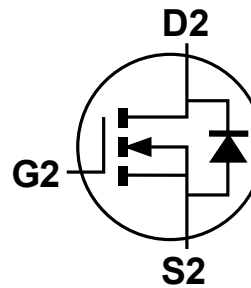
- Case: SO-8
- Case Material: Molded Plastic, "Green" Molding Compound. UL Flammability Classification Rating 94V-0
- Moisture Sensitivity: Level 1 per J-STD-020
- Terminal Connections: See Diagram
- Terminals: Finish – Tin Finish annealed over Copper leadframe Solderable per MIL-STD-202, Method 208
- Weight: 0.074 grams (approximate)



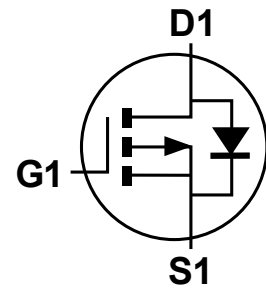
Top View



TOP VIEW
Internal Schematic



N-Channel MOSFET



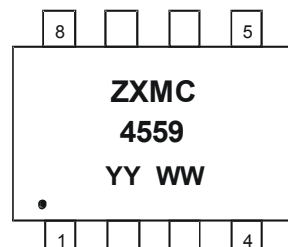
P-Channel MOSFET

Ordering Information (Note 4)

Part Number	Compliance	Case	Packaging
ZXMC4559DN8TA	Standard	SO-8	500/Tape & Reel
ZXMC4559DN8TC	Standard	SO-8	2,500/Tape & Reel

- Notes:
1. No purposely added lead. Fully EU Directive 2002/95/EC (RoHS) & 2011/65/EU (RoHS 2) compliant.
 2. See http://www.diodes.com/quality/lead_free.html for more information about Diodes Incorporated's definitions of Halogen- and Antimony-free, "Green" and Lead-free.
 3. Halogen- and Antimony-free "Green" products are defined as those which contain <900ppm bromine, <900ppm chlorine (<1500ppm total Br + Cl) and <1000ppm antimony compounds.
 4. For packaging details, go to our website at <http://www.diodes.com/products/packages.html>.

Marking Information



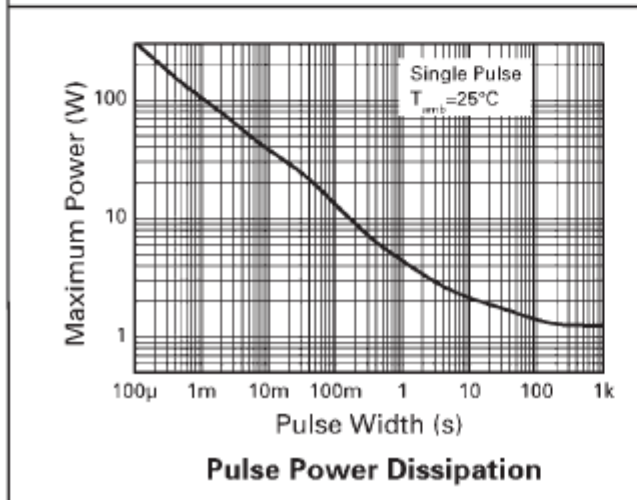
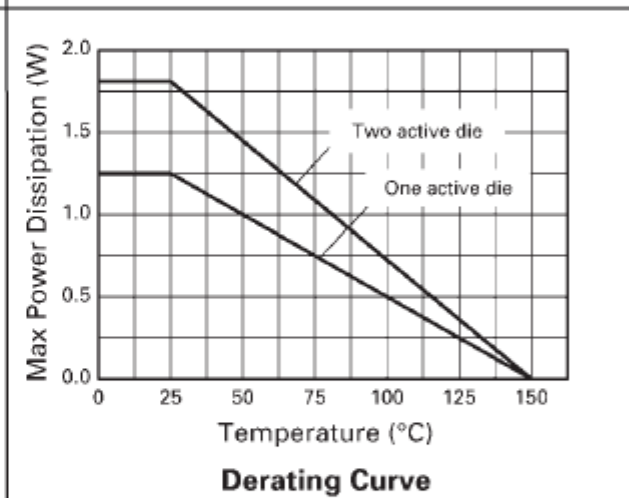
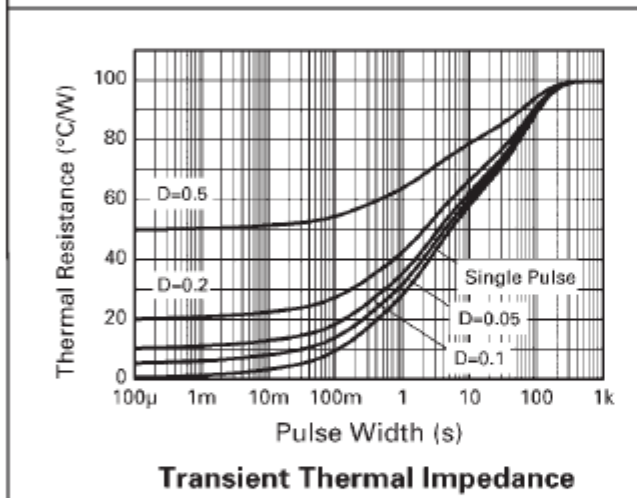
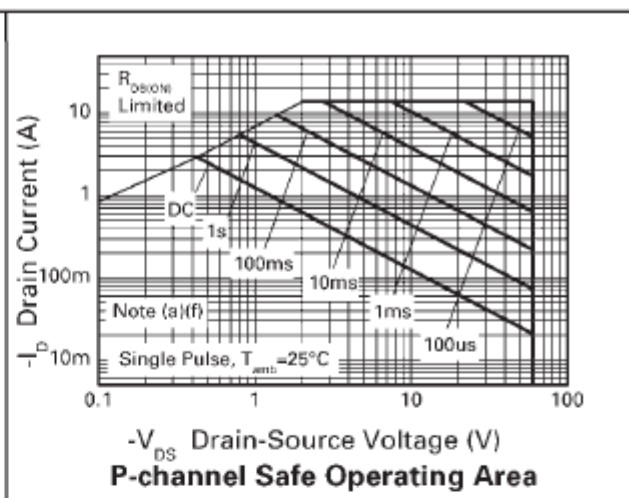
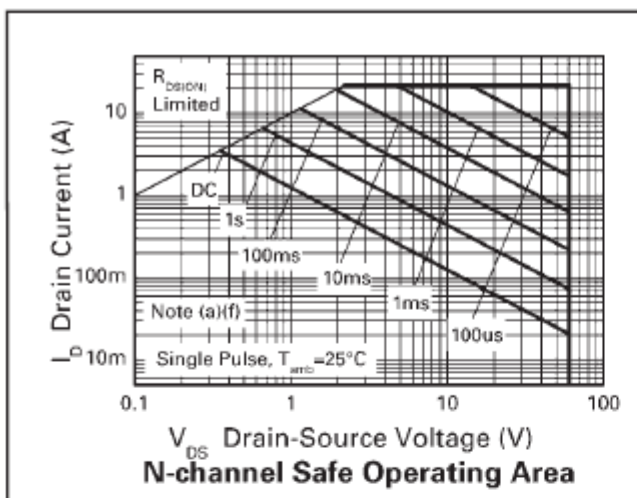
ZXMC4559 = Product Type Marking Code
 YYWW = Date Code Marking
 YY = Year (ex: 14 = 2014)
 WW = Week (01 - 53)

Maximum Ratings (@ $T_A = +25^\circ\text{C}$, unless otherwise specified.)

Characteristic	Symbol	Value_Q2	Value_Q1	Units	
Drain-Source Voltage	V_{DSS}	60	-60	V	
Gate-Source Voltage	V_{GSS}	± 20	± 20	V	
Continuous Drain Current $V_{GS} = 10\text{V}$	SteadyState (Note 5)	I_D	3.6	-2.6	A
	$t < 10\text{s}$ (Note 6)	I_D	4.7	-3.9	A
Maximum Body Diode Forward Current at $t < 10\text{s}$ (Note 6)	I_S	3.4	-3.2	A	
Pulsed Drain Current (300 μs pulse, duty cycle = 2%)	I_{DM}	22.2	-18.3	A	
Pulsed Source Current (Body Diode) (300 μs pulse, duty cycle = 2%)	I_{SM}	22.2	-18.3	A	

Thermal Characteristics (@ $T_A = +25^\circ\text{C}$, unless otherwise specified.)

Characteristic	Symbol	Value	Units
Power Dissipation	P_D	1.25	W
Linear Derating Factor (Note 5)		10	mW/ $^\circ\text{C}$
Power Dissipation	P_D	2.1	W
Linear Derating Factor (Note 6)		17	mW/ $^\circ\text{C}$
Thermal Resistance, Junction to Ambient (Note 5)	$R_{\theta JA}$	100	$^\circ\text{C/W}$
Thermal Resistance, Junction to Ambient (Note 6)	$R_{\theta JA}$	58	
Operating and Storage Temperature Range	T_J, T_{STG}	-55 to +150	$^\circ\text{C}$



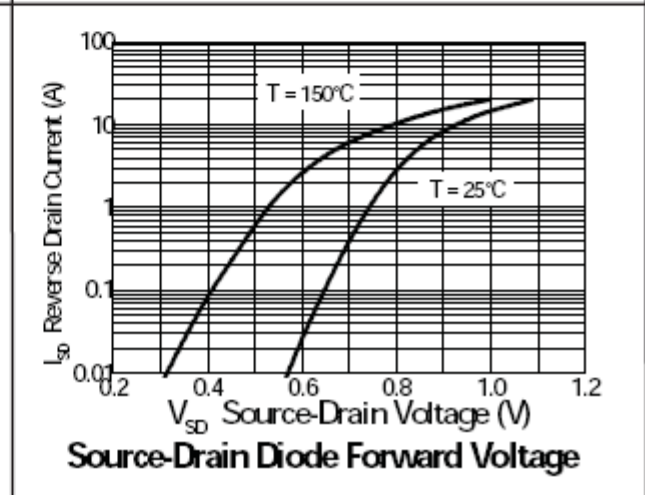
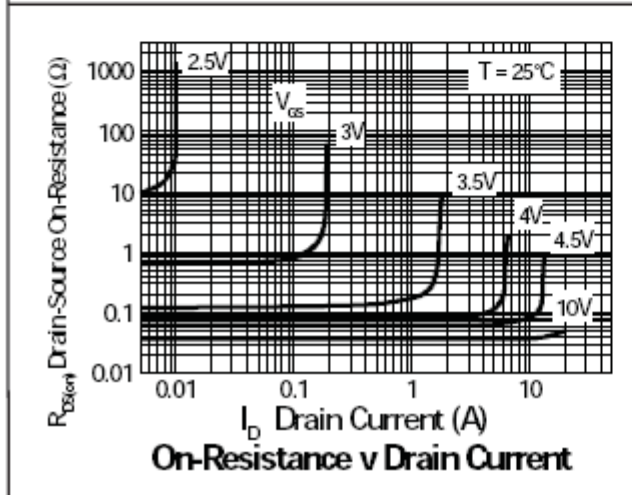
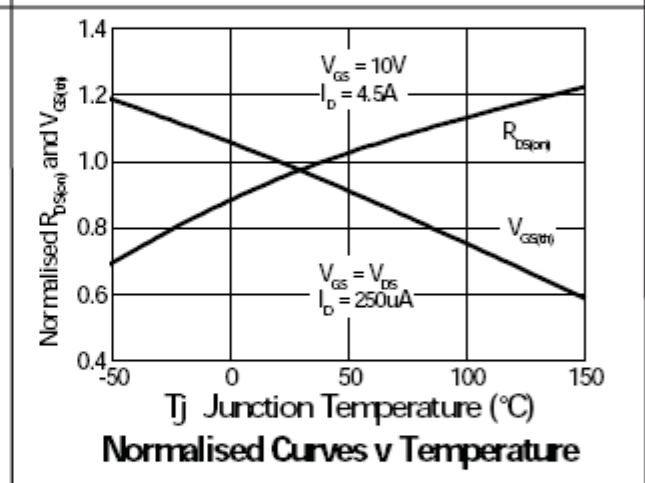
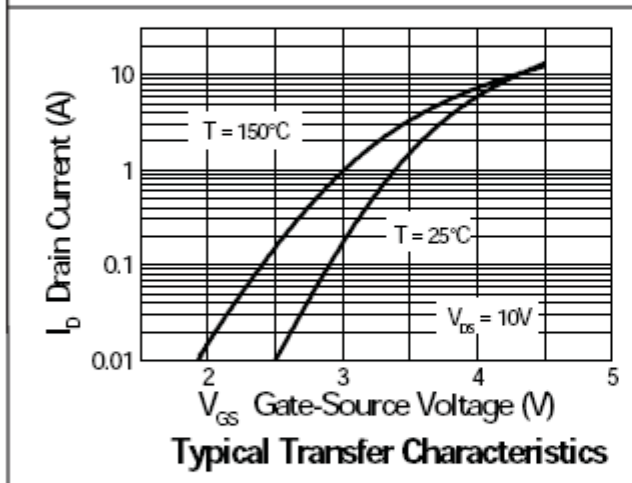
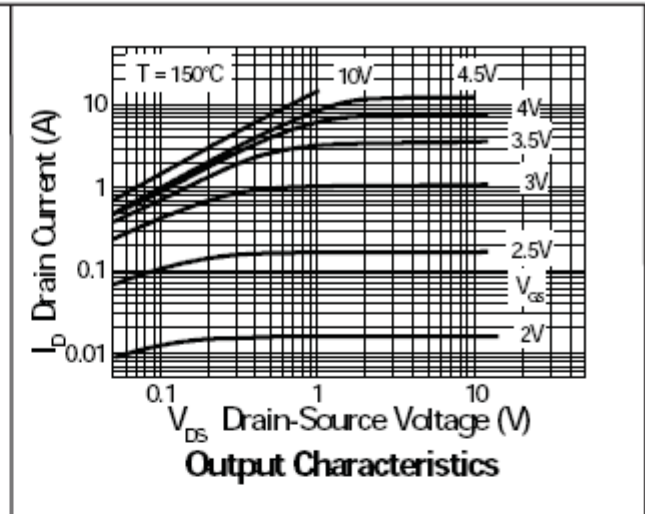
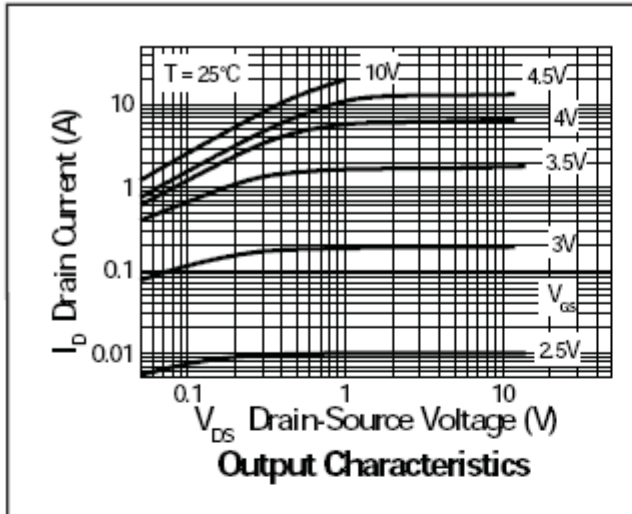
Electrical Characteristics N-Channel Q2 (@T_A = +25°C, unless otherwise specified.)

Characteristic	Symbol	Min	Typ	Max	Unit	Test Condition
OFF CHARACTERISTICS (Note 7)						
Drain-Source Breakdown Voltage	BV _{DSS}	60	—	—	V	V _{GS} = 0V, I _D = 250μA
Zero Gate Voltage Drain Current	I _{DSS}	—	—	1.0	μA	V _{DS} = 60V, V _{GS} = 0V
Gate-Source Leakage	I _{GSS}	—	—	±100	nA	V _{GS} = ±20V, V _{DS} = 0V
ON CHARACTERISTICS (Note 7)						
Gate Threshold Voltage	V _{GS(th)}	1.0	—	—	V	V _{DS} = V _{GS} , I _D = 250μA
Static Drain-Source On-Resistance	R _{DS(on)}	—	—	55	mΩ	V _{GS} = 10V, I _D = 4.5A
		—	—	75		V _{GS} = 4.5V, I _D = 4.0A
Diode Forward Voltage	V _{SD}	—	0.85	1.2	V	V _{GS} = 0V, I _S = 5.5A
Forward Transconductance	g _{fs}	—	10.2	—	S	V _{DS} = 15V, I _D = 4.5A
DYNAMIC CHARACTERISTICS (Note 8)						
Input Capacitance	C _{iSS}	—	1063	—	pF	V _{DS} = 30V, V _{GS} = 0V, f = 1.0MHz
Output Capacitance	C _{oss}	—	104	—		
Reverse Transfer Capacitance	C _{rSS}	—	64	—		
Total Gate Charge (V _{GS} = 5.0V)	Q _g	—	11	—	nC	V _{DS} = 30V, I _D = 4.5A
Total Gate Charge (V _{GS} = 10V)	Q _g	—	20.4	—		
Gate-Source Charge	Q _{gs}	—	4.1	—		
Gate-Drain Charge	Q _{gd}	—	5.1	—		
Turn-On Delay Time	t _{D(on)}	—	3.5	—	nS	V _{DD} = 30V, I _D = 1.0A V _{GS} = 10V, R _G = 6.0Ω
Turn-On Rise Time	t _r	—	4.1	—		
Turn-Off Delay Time	t _{D(off)}	—	26.2	—		
Turn-Off Fall Time	t _f	—	10.6	—		
Body Diode Reverse Recovery Time	t _{rr}	—	22	—	nS	I _F = 2.2A, di/dt = 100A/μs
Body Diode Reverse Recovery Charge	Q _{rr}	—	21.4	—	nC	I _F = 2.2A, di/dt = 100A/μs

NEW PRODUCT

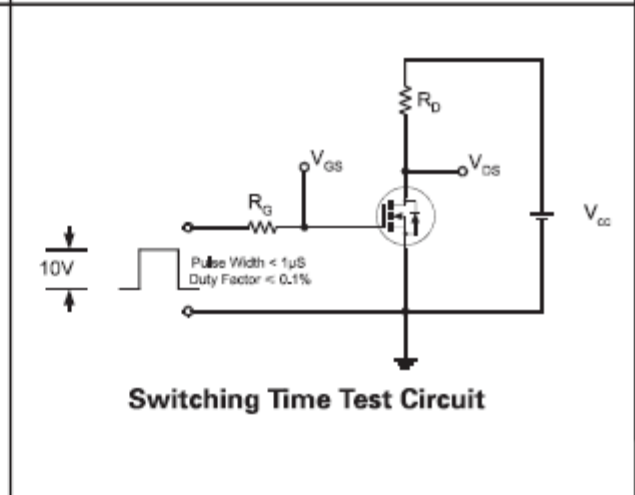
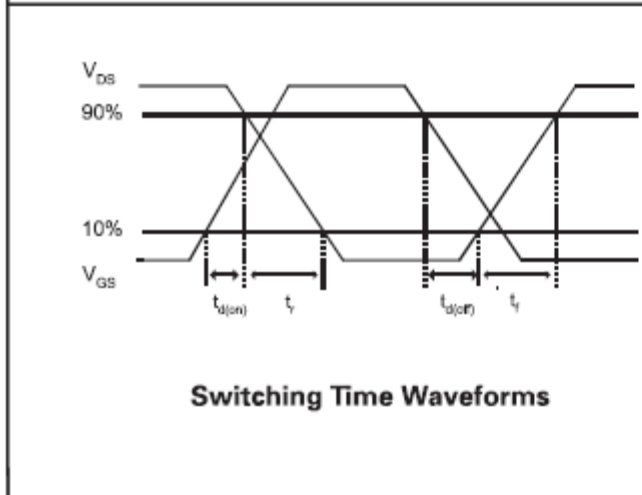
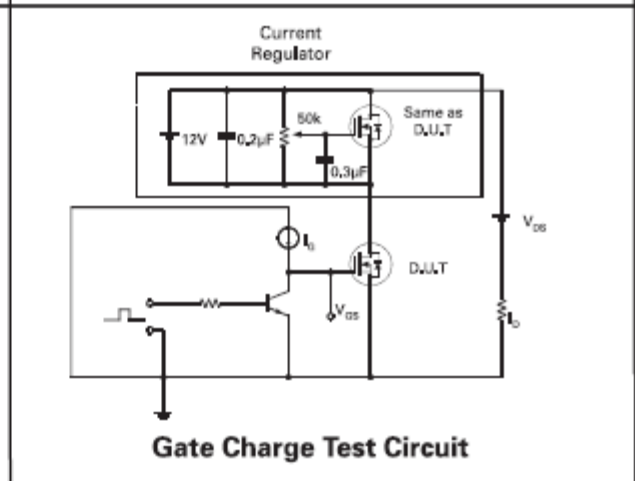
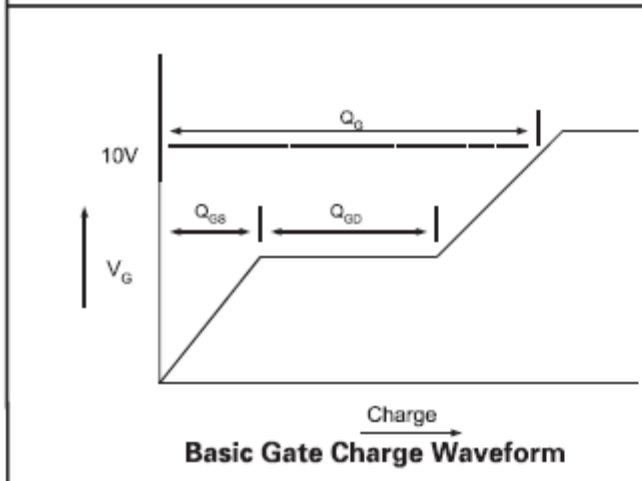
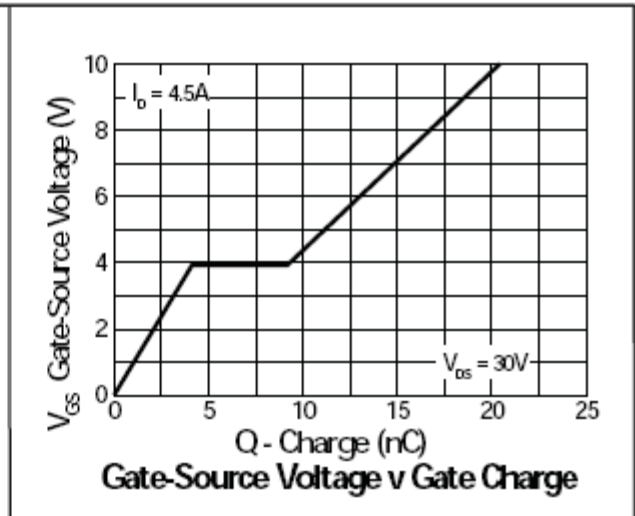
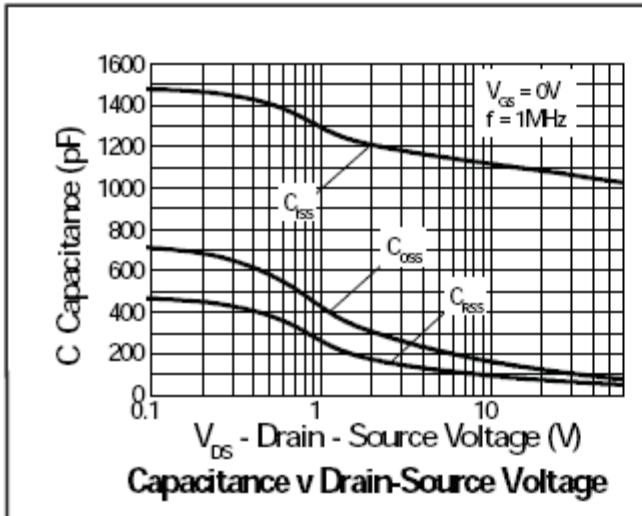
N-Channel Typical Characteristics

NEW PRODUCT



N-Channel Typical Characteristics (cont.)

NEW PRODUCT



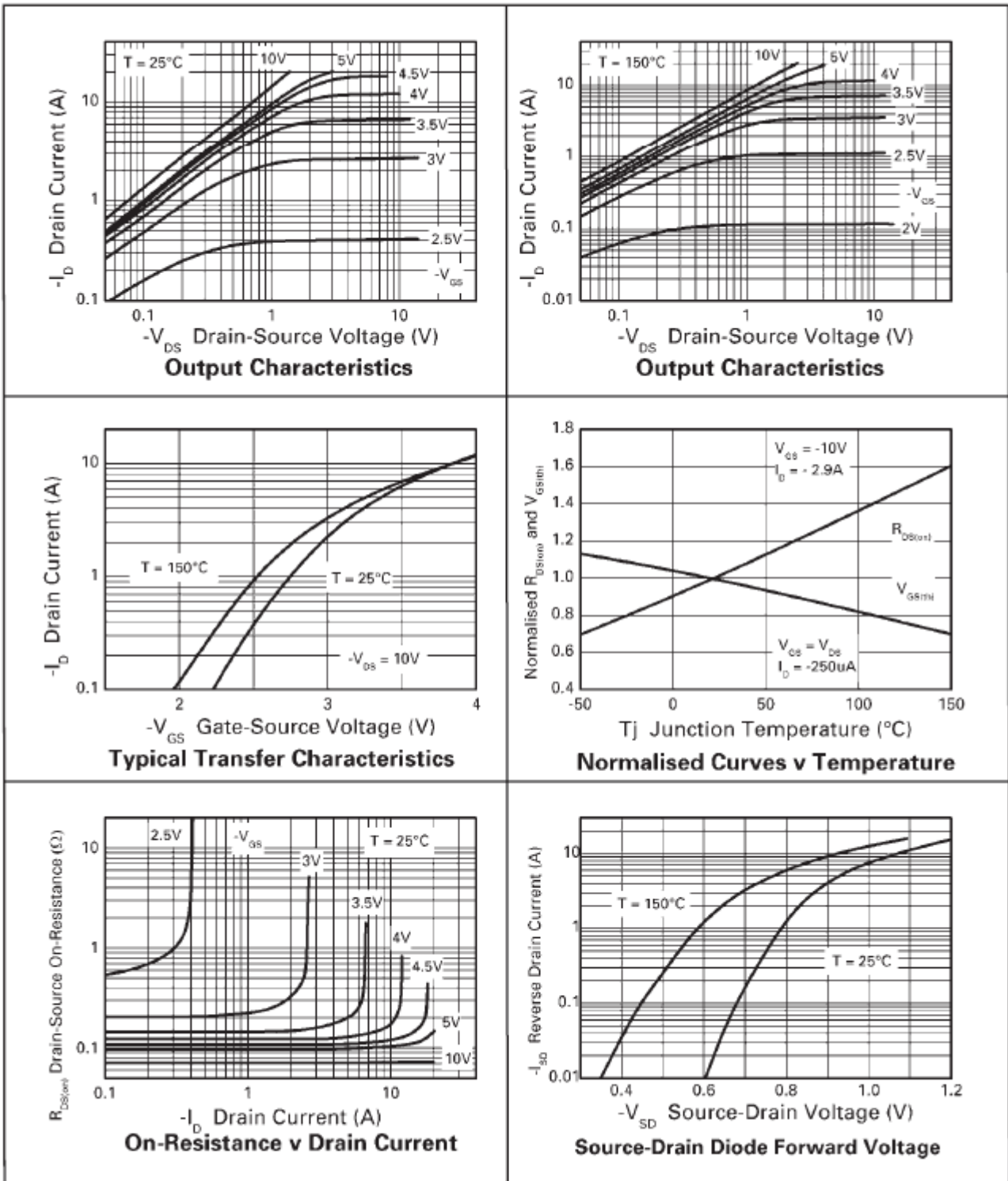
Electrical Characteristics P-Channel Q1 (@T_A = +25°C, unless otherwise specified.)

Characteristic	Symbol	Min	Typ	Max	Unit	Test Condition
OFF CHARACTERISTICS (Note 7)						
Drain-Source Breakdown Voltage	BV _{DSS}	-60	—	—	V	V _{GS} = 0V, I _D = -250μA
Zero Gate Voltage Drain Current	I _{DSS}	—	—	-1.0	μA	V _{DS} = -60V, V _{GS} = 0V
Gate-Source Leakage	I _{GSS}	—	—	±100	nA	V _{GS} = ±20V, V _{DS} = 0V
ON CHARACTERISTICS (Note 7)						
Gate Threshold Voltage	V _{GS(th)}	-1.0	—	—	V	V _{DS} = V _{GS} , I _D = -250μA
Static Drain-Source On-Resistance	R _{DS(on)}	—	—	85	mΩ	V _{GS} = -10V, I _D = -2.9A
		—	—	125		V _{GS} = -4.5V, I _D = -2.4A
Diode Forward Voltage	V _{SD}	—	-0.85	-0.95	V	V _{GS} = 0V, I _S = -3.4A
Forward Transconductance	g _{fs}	—	7.2	—	S	V _{DS} = -15V, I _D = -2.9A
DYNAMIC CHARACTERISTICS (Note 8)						
Input Capacitance	C _{iSS}	—	1021	—	pF	V _{DS} = -30V, V _{GS} = 0V f = 1.0MHz
Output Capacitance	C _{oss}	—	83.1	—		
Reverse Transfer Capacitance	C _{rSS}	—	56.4	—		
Total Gate Charge (V _{GS} = -5.0V)	Q _g	—	12.1	—	nC	V _{DS} = -30V, I _D = -2.9A
Total Gate Charge (V _{GS} = -10V)	Q _g	—	24.2	—		
Gate-Source Charge	Q _{gs}	—	2.5	—		
Gate-Drain Charge	Q _{gd}	—	3.7	—		
Turn-On Delay Time	t _{D(on)}	—	3.5	—	nS	V _{DD} = -30V, I _D = -1.0A V _{GS} = -10V, R _G = 6.0Ω
Turn-On Rise Time	t _r	—	4.1	—		
Turn-Off Delay Time	t _{D(off)}	—	35	—		
Turn-Off Fall Time	t _f	—	10	—		
Body Diode Reverse Recovery Time	t _{rr}	—	29.2	—	nS	I _S = -2.0A, dI/dt = 100A/μs
Body Diode Reverse Recovery Charge	Q _{rr}	—	39.6	—	nC	I _S = -2.0A, dI/dt = 100A/μs

- Notes:
- Device mounted on FR-4 substrate PC board, 2oz copper, with 1inch square copper plate.
 - Device mounted on FR-4 substrate PC board, 2oz copper, with minimum recommended pad layout.
 - Short duration pulse test used to minimize self-heating effect.
 - Guaranteed by design. Not subject to product testing.

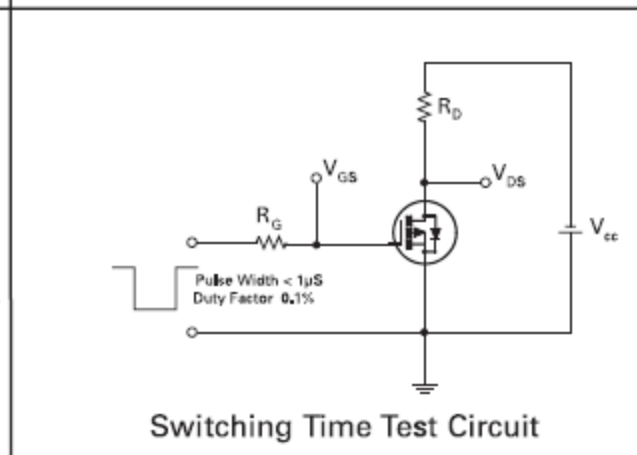
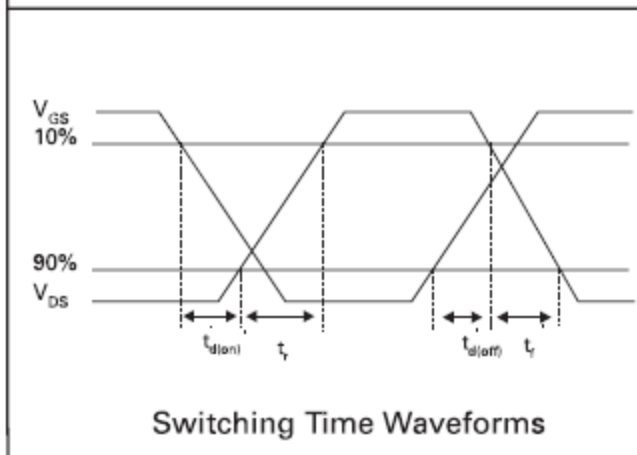
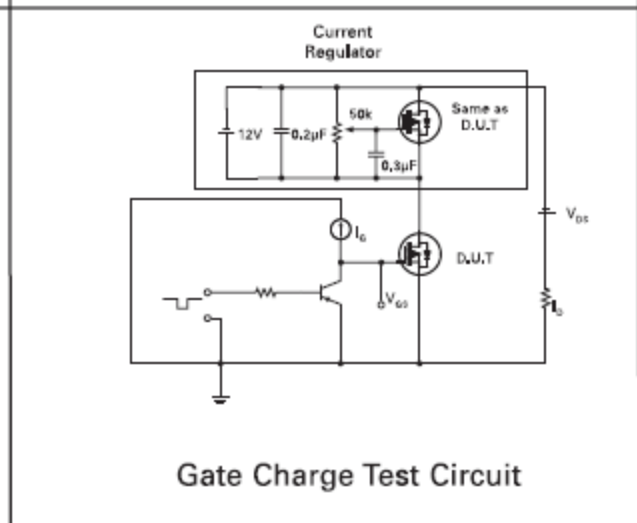
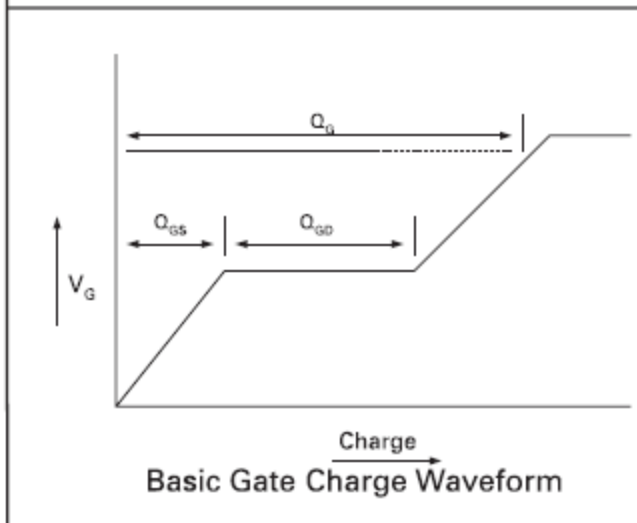
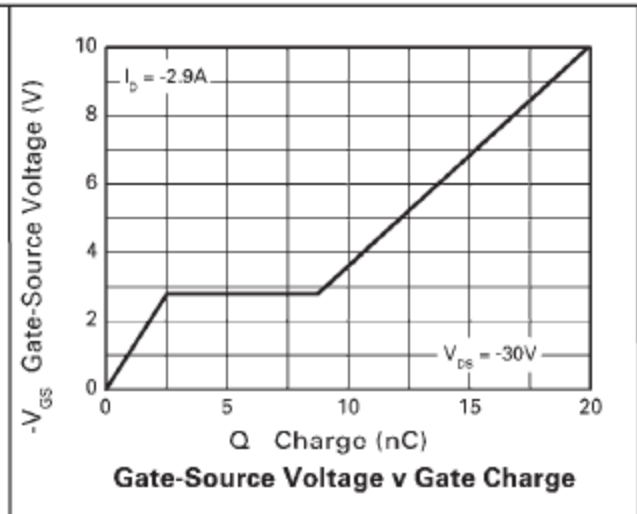
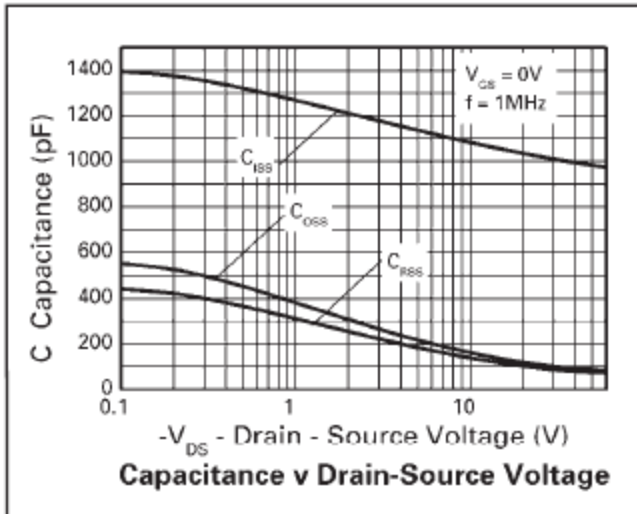
P-Channel Typical Characteristics

NEW PRODUCT



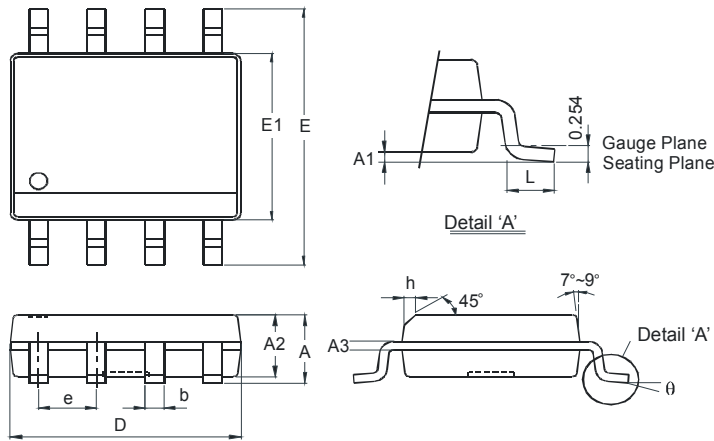
P-Channel Typical Characteristics (cont.)

NEW PRODUCT



Package Outline Dimensions

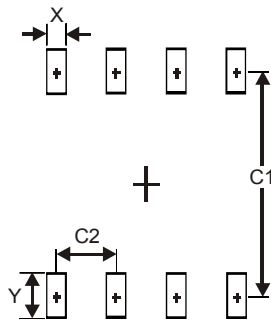
Please see AP02002 at <http://www.diodes.com/datasheets/ap02002.pdf> for latest version.



SO-8		
Dim	Min	Max
A	-	1.75
A1	0.10	0.20
A2	1.30	1.50
A3	0.15	0.25
b	0.3	0.5
D	4.85	4.95
E	5.90	6.10
E1	3.85	3.95
e	1.27 Typ	
h	-	0.35
L	0.62	0.82
θ	0°	8°
All Dimensions in mm		

Suggested Pad Layout

Please see AP02001 at <http://www.diodes.com/datasheets/ap02001.pdf> for latest version.



Dimensions	Value (in mm)
X	0.60
Y	1.55
C1	5.4
C2	1.27

IMPORTANT NOTICE

DIODES INCORPORATED MAKES NO WARRANTY OF ANY KIND, EXPRESS OR IMPLIED, WITH REGARDS TO THIS DOCUMENT, INCLUDING, BUT NOT LIMITED TO, THE IMPLIED WARRANTIES OF MERCHANTABILITY AND FITNESS FOR A PARTICULAR PURPOSE (AND THEIR EQUIVALENTS UNDER THE LAWS OF ANY JURISDICTION).

Diodes Incorporated and its subsidiaries reserve the right to make modifications, enhancements, improvements, corrections or other changes without further notice to this document and any product described herein. Diodes Incorporated does not assume any liability arising out of the application or use of this document or any product described herein; neither does Diodes Incorporated convey any license under its patent or trademark rights, nor the rights of others. Any Customer or user of this document or products described herein in such applications shall assume all risks of such use and will agree to hold Diodes Incorporated and all the companies whose products are represented on Diodes Incorporated website, harmless against all damages.

Diodes Incorporated does not warrant or accept any liability whatsoever in respect of any products purchased through unauthorized sales channel. Should Customers purchase or use Diodes Incorporated products for any unintended or unauthorized application, Customers shall indemnify and hold Diodes Incorporated and its representatives harmless against all claims, damages, expenses, and attorney fees arising out of, directly or indirectly, any claim of personal injury or death associated with such unintended or unauthorized application.

Products described herein may be covered by one or more United States, international or foreign patents pending. Product names and markings noted herein may also be covered by one or more United States, international or foreign trademarks.

This document is written in English but may be translated into multiple languages for reference. Only the English version of this document is the final and determinative format released by Diodes Incorporated.

LIFE SUPPORT

Diodes Incorporated products are specifically not authorized for use as critical components in life support devices or systems without the express written approval of the Chief Executive Officer of Diodes Incorporated. As used herein:

A. Life support devices or systems are devices or systems which:

1. are intended to implant into the body, or
2. support or sustain life and whose failure to perform when properly used in accordance with instructions for use provided in the labeling can be reasonably expected to result in significant injury to the user.

B. A critical component is any component in a life support device or system whose failure to perform can be reasonably expected to cause the failure of the life support device or to affect its safety or effectiveness.

Customers represent that they have all necessary expertise in the safety and regulatory ramifications of their life support devices or systems, and acknowledge and agree that they are solely responsible for all legal, regulatory and safety-related requirements concerning their products and any use of Diodes Incorporated products in such safety-critical, life support devices or systems, notwithstanding any devices- or systems-related information or support that may be provided by Diodes Incorporated. Further, Customers must fully indemnify Diodes Incorporated and its representatives against any damages arising out of the use of Diodes Incorporated products in such safety-critical, life support devices or systems.

Copyright © 2014, Diodes Incorporated

www.diodes.com

Mouser Electronics

Authorized Distributor

Click to View Pricing, Inventory, Delivery & Lifecycle Information:

[Diodes Incorporated:](#)

[ZXMC4559DN8TA](#)