



A New Direction in Mixed-Signal

GENERAL DESCRIPTION

The Exar XRP2523 Evaluation board (EVB) is a full assembled and tested surface-mount PCB that demonstrates the XRP2523 single-channel integrated high-side power distribution switches.

Optimized for USB VBUS power distribution, the XRP2523 is compliant with the latest USB 3.0 specification and can be used in any self or bus powered USB applications. It is provided with an enable pin while an error flag is available to indicate fault conditions.

XRP2523 is offered in a RoHS compliant "green"/halogen free 5-pin SOT-23 package.

STANDARD CONFIGURATION

The XRP7659EVB evaluation board is configured to operate under the following conditions and parameters:

- Input voltage range V_{IN} : 3.2V – 6.5V
- Output current/load range: 0 – 1.5A

EVALUATION BOARD MANUAL



FEATURES

- **1.5A Single Channel Current Switch**
 - 1.5A continuous load current
 - 1.6A Over-current Limit
- **3.2V to 6.5V Input Voltage Range**
- **USB 2.0 and USB 3.0 Compliant**
- **Active High Enable**
- **Soft Start**
- **Channel Fault Flag Indicator**
 - 9ms Blanking Time
- **UVLO, Reverse Current, Short circuit and Thermal Shutdown Protection**

EVALUATION BOARD SCHEMATICS

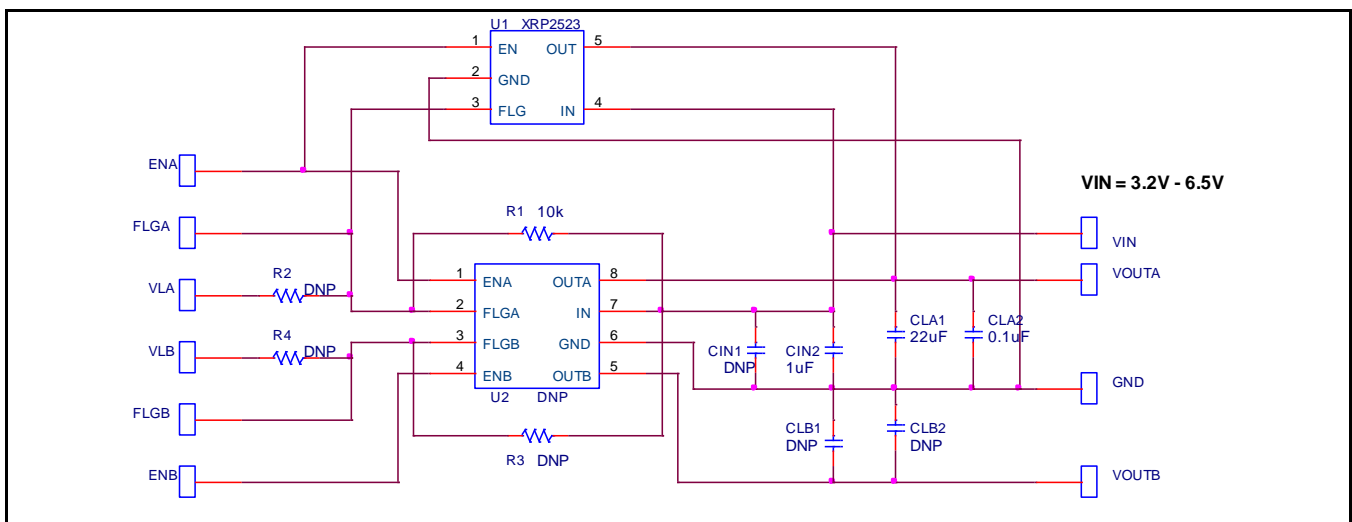


Fig. 1: XRP2523 Evaluation Board Schematic

1.5A Single Channel USB 3.0 Power Distribution Switch

PIN ASSIGNMENT

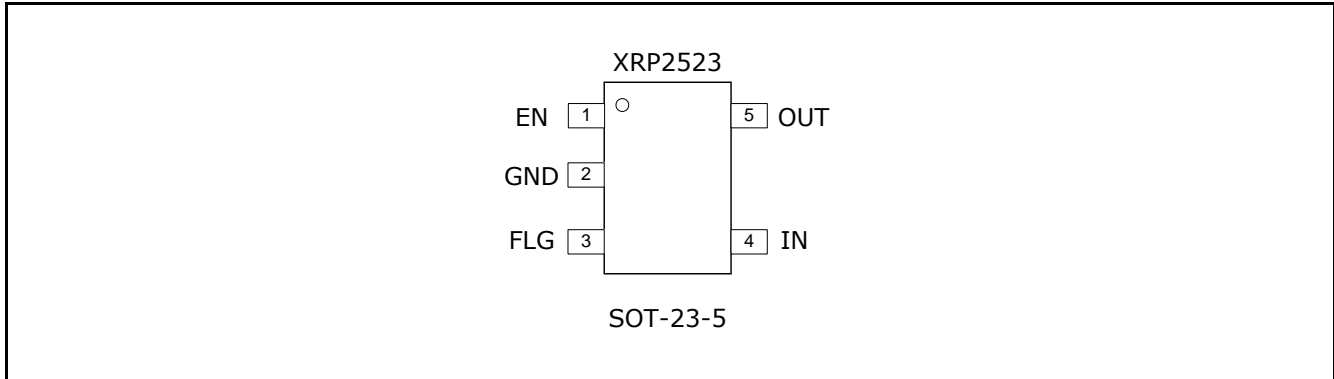


Fig. 2: XRP2523 Pin Assignment

PIN DESCRIPTION – XRP2523

Name	Pin Number	Description
EN	1	Channel Enable Input
GND	2	Ground Signal
FLG	3	Error Flag Signal Active low open drain output. Active on over-current, over-temperature, short-circuit or UVLO conditions.
IN	4	Voltage Input Pin
OUT	5	Voltage Output Pin

ORDERING INFORMATION

Refer to XRP2523’s datasheet and/or www.exar.com for exact and up to date ordering information.

1.5A Single Channel USB 3.0 Power Distribution Switch

USING THE EVALUATION BOARD

Note: The XRP2523 evaluation board is common with Exar's XRP2524 and XRP2526 evaluation boards.

INITIAL SETUP

The Board is supplied from EXAR with the XRP2523 device. Set the input supply to a voltage between 3.2V to 6.5V and connect it to VIN and GND connectors on the right side of the evaluation board.

Enable pin must be pulled up HIGH to enable the IC. Connect the load to the VOUT and

PGND connectors on the right hand side of the board.

Flag pin is pulled up to VIN through a 10kΩ resistor (provided by default on the board) or can be instead connected to a separate external power supply voltage VLA.

The board will power-up upon turning on the input supply and reach the desired output voltage. The board can operate with a load current I_{OUT} of up to 1.5A.

TYPICAL PERFORMANCE CHARACTERISTICS

All data taken at V_{IN} = 5V, C_{IN} = 1μF, C_{OUT} = 22μF//0.1μF, T_J = T_A = 25°C, unless otherwise specified - Schematic and BOM from Application Information section of this datasheet.

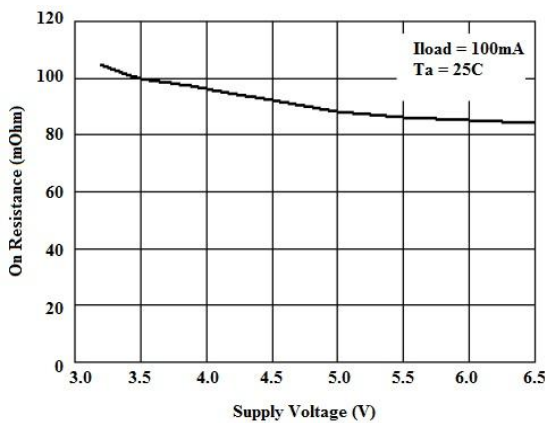


Fig. 3: Output On-Resistance vs. Supply Voltage

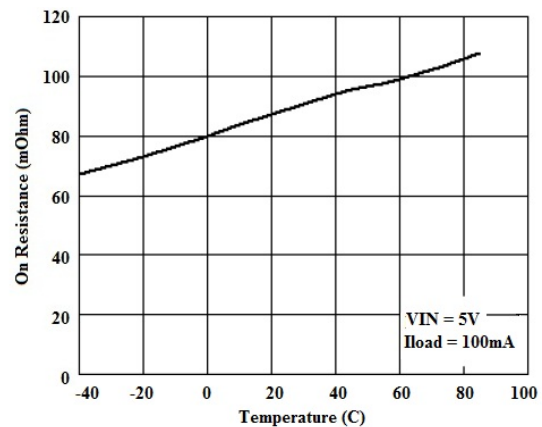


Fig. 4: Output On-Resistance vs. Temperature

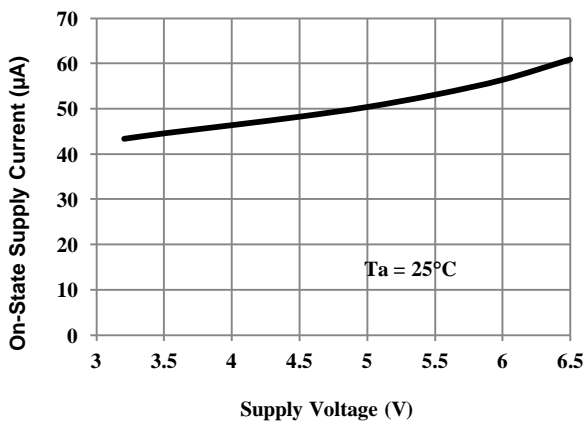


Fig. 5: ON-State Supply Current vs. Supply Voltage

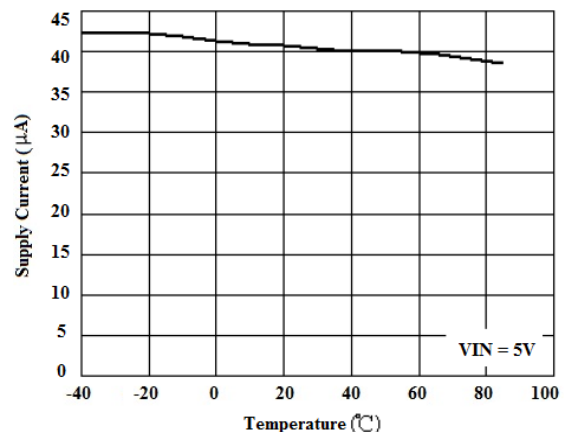


Fig. 6: ON-State Supply Current vs. Temperature

1.5A Single Channel USB 3.0 Power Distribution Switch

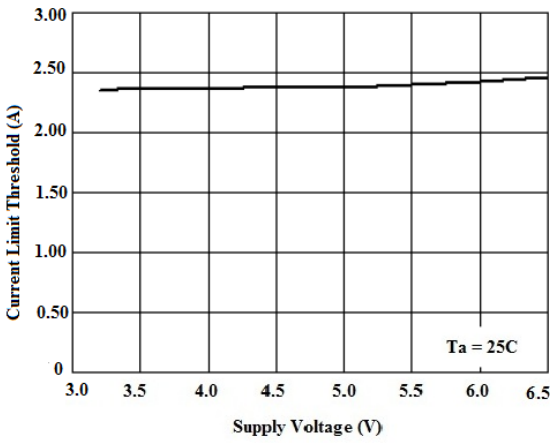


Fig. 7: Current Limit Threshold vs. Supply Voltage

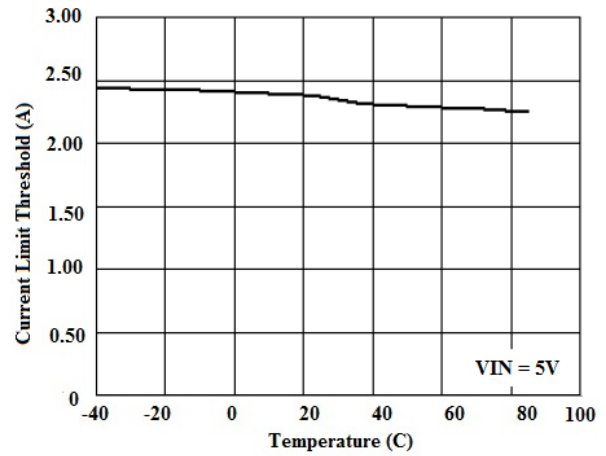


Fig. 8: Current Limit Threshold vs. Temperature

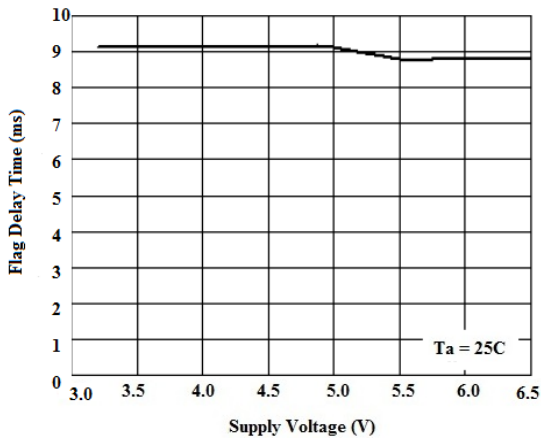


Fig. 9: Flag Delay Time vs. Supply Voltage

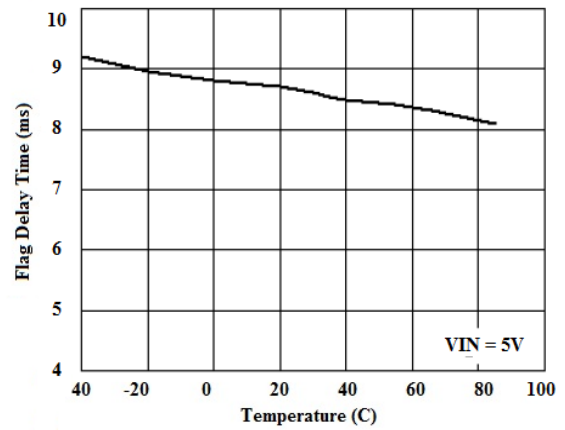


Fig. 10: Flag Delay Time vs. Temperature

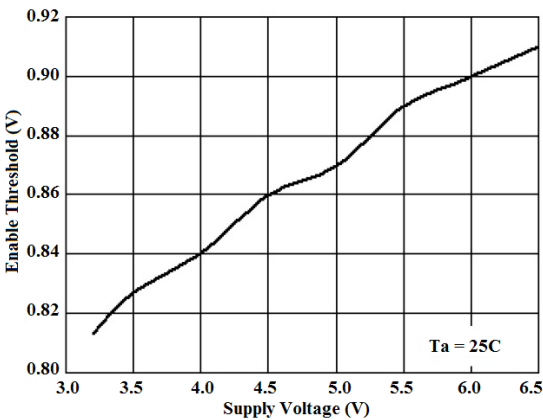


Fig. 11: Enable Threshold vs. Supply Voltage

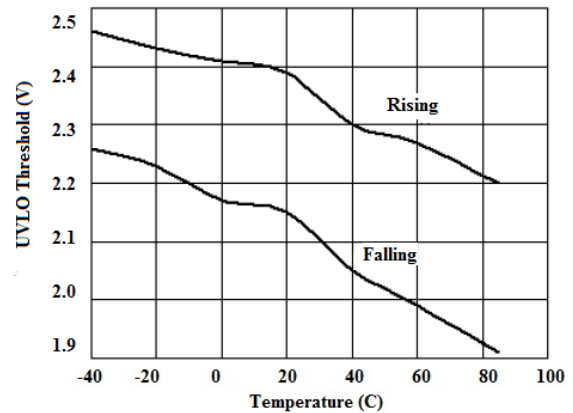


Fig. 12: UVLO Threshold Voltage vs. Temperature

1.5A Single Channel USB 3.0 Power Distribution Switch

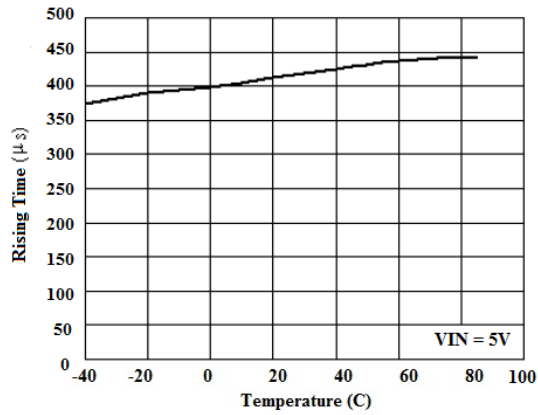


Fig. 13: Output Rising Time vs. Temperature

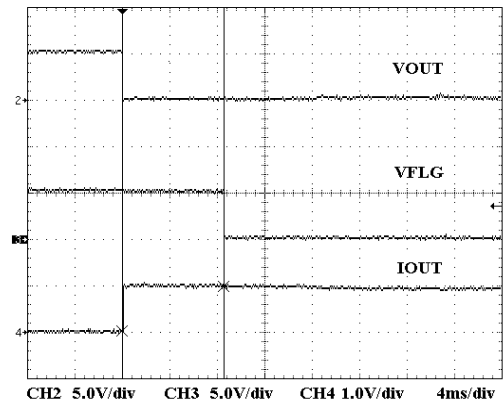


Fig. 14: Short circuit protection, VIN = 5.0V

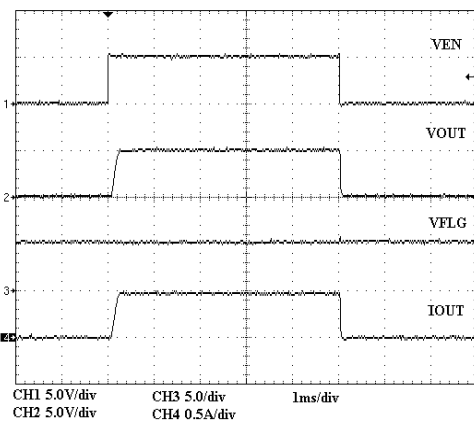


Fig. 15: Turn-On/Off Characteristics: COUT=1µF, Load=10Ω

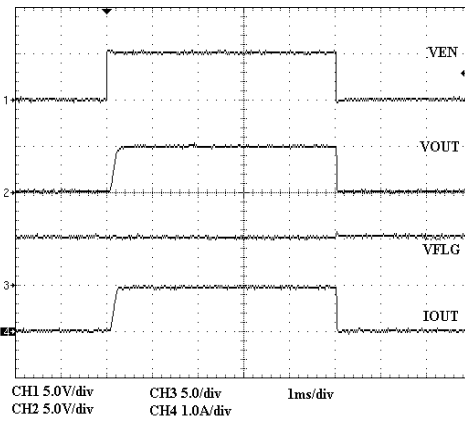


Fig. 16: Turn-On/Off Characteristics: COUT=1µF, Load=5.1Ω

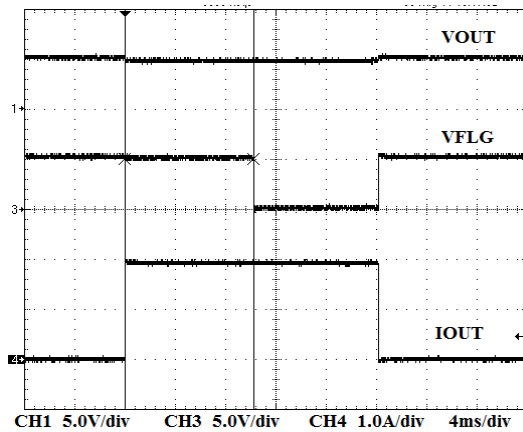


Fig. 17: Current Limit Operation: VIN = 5V, Load = 2.5Ω

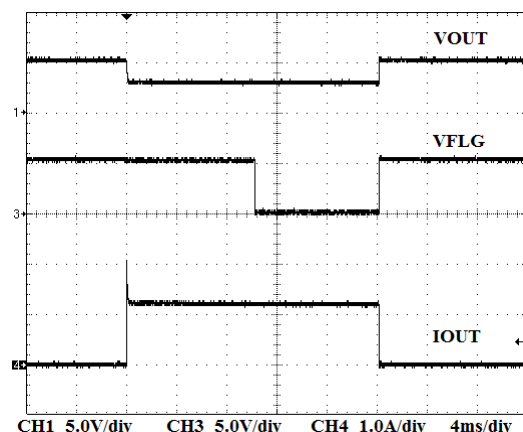
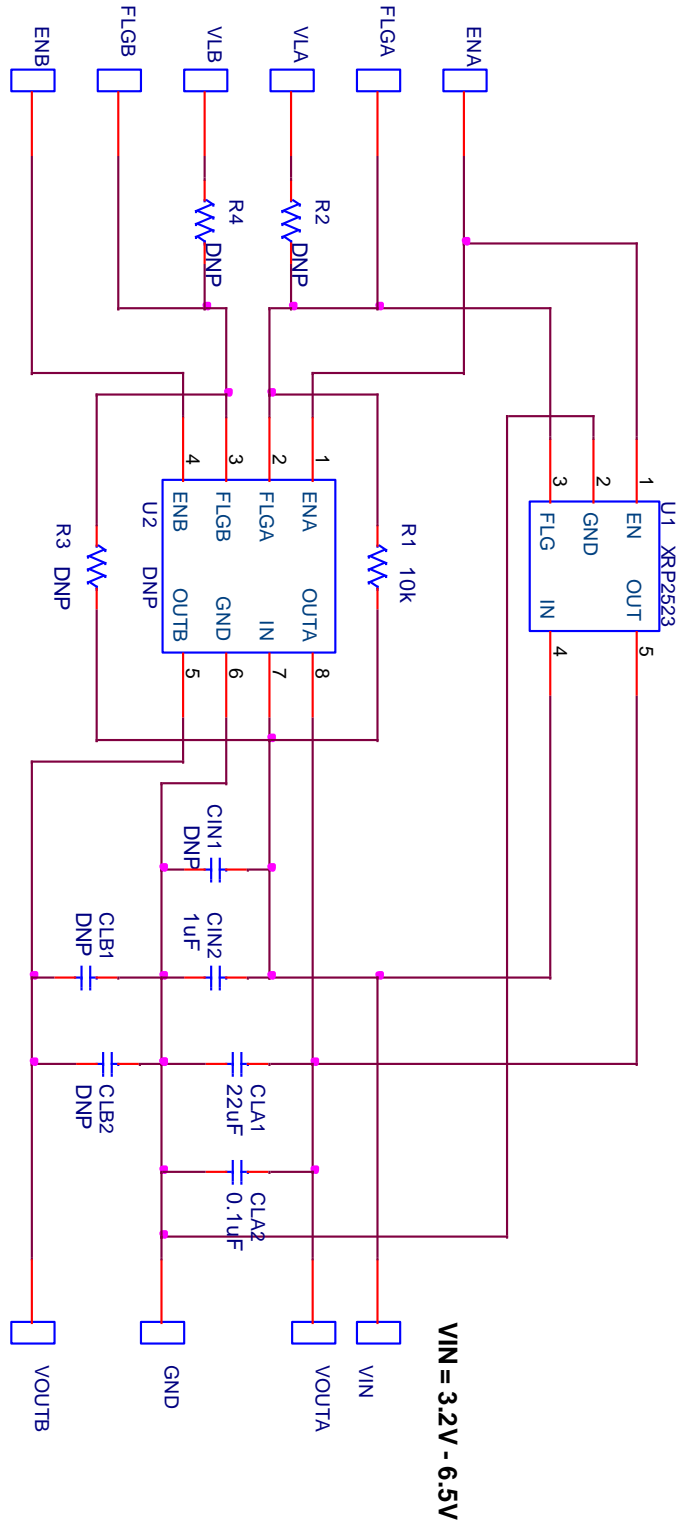


Fig. 18: Current Limit Operation: VIN = 5.2V, Load = 2.5Ω

1.5A Single Channel USB 3.0 Power Distribution Switch

EVALUATION BOARD SCHEMATICS



1.5A Single Channel USB 3.0 Power Distribution Switch

BILL OF MATERIAL

Ref.	Qty	Manufacturer	Part Number	Size	Component
EVAL BD	1	Exar Corp.	146-6693-01		XRP2523 Evaluation Board
U1	1	Exar Corp.	XRP2523	5-pin SOT-23	XRP2523
U2					Not populated
CIN1, CLB1, CLB2					Not populated
CIN2	1	Murata Corp.	GRM188R71E105KA12D	0603	Ceramic 1uF, 25V, X7R
CLA1	1	Murata Corp.	GRM31CR61C226KE15L	1206	Ceramic 22uF, 16V, X5R
CLA2	1	Murata Corp.	GRM188R71H104KA93D	0603	Ceramic 0.1uF, 50V, X7R
R1	1	Panasonic Corp.	ERJ-3EKF1002V	0603	Resistor 10KΩ, 1/10W, 1%
R2, R3, R4					Not populated
Test Point, VIN, GND, PGND, VOUTA, VOUTB, ENA, ENB, FLGA, FLGB, VLA, VLB	12	VECTOR	K24C/M	0.042" diameter	Test Point Post

EVALUATION BOARD LAYOUT

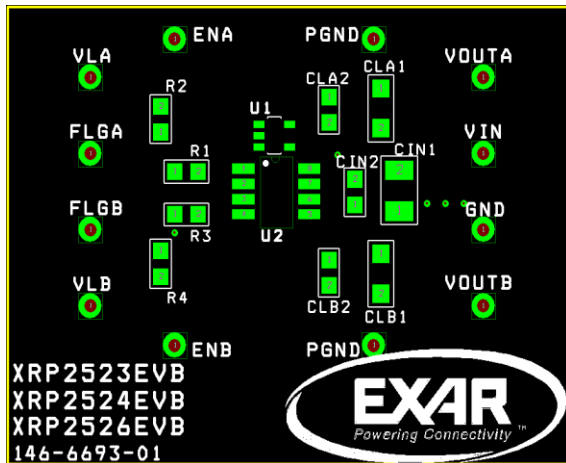


Fig. 19: Component Placement – Top Side

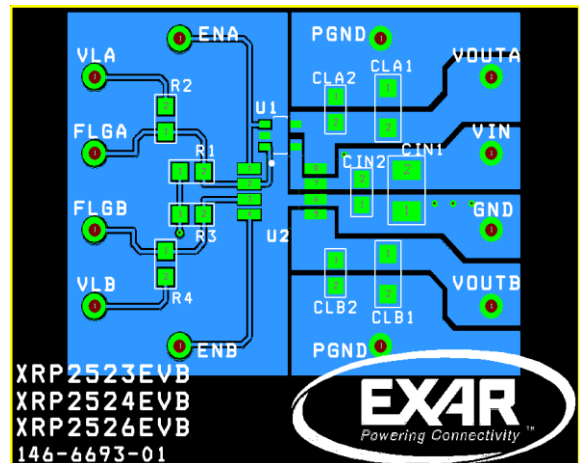


Fig. 20: Top Side Layout

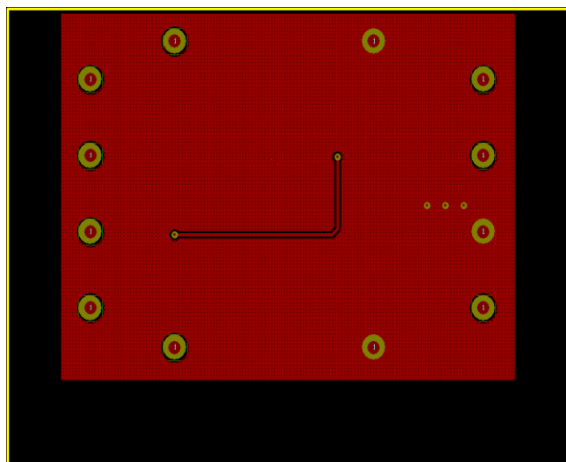


Fig. 21: Bottom Side Layout



1.5A Single Channel USB 3.0 Power Distribution Switch

DOCUMENT REVISION HISTORY

Revision	Date	Description
1.0.0	10/10/2012	Initial release of evaluation board manual

BOARD REVISION HISTORY

Board Revision	Date	Description
146-6693-01	10/10/2012	Initial release of evaluation board

FOR FURTHER ASSISTANCE

Email:

customersupport@exar.com

powertechsupport@exar.com

Exar Technical Documentation:

<http://www.exar.com/TechDoc/default.aspx?>



EXAR CORPORATION

HEADQUARTERS AND SALES OFFICES

48720 Kato Road
Fremont, CA 94538 – USA
Tel.: +1 (510) 668-7000
Fax: +1 (510) 668-7030
www.exar.com

NOTICE

EXAR Corporation reserves the right to make changes to the products contained in this publication in order to improve design, performance or reliability. EXAR Corporation assumes no responsibility for the use of any circuits described herein, conveys no license under any patent or other right, and makes no representation that the circuits are free of patent infringement. Charts and schedules contained herein are only for illustration purposes and may vary depending upon a user's specific application. While the information in this publication has been carefully checked; no responsibility, however, is assumed for inaccuracies.

EXAR Corporation does not recommend the use of any of its products in life support applications where the failure or malfunction of the product can reasonably be expected to cause failure of the life support system or to significantly affect its safety or effectiveness. Products are not authorized for use in such applications unless EXAR Corporation receives, in writing, assurances to its satisfaction that: (a) the risk of injury or damage has been minimized; (b) the user assumes all such risks; (c) potential liability of EXAR Corporation is adequately protected under the circumstances.

Reproduction, in part or whole, without the prior written consent of EXAR Corporation is prohibited.

Mouser Electronics

Authorized Distributor

Click to View Pricing, Inventory, Delivery & Lifecycle Information:

Exar:

[XRP2523ISTR-F](#) [XRP2523EVB](#)