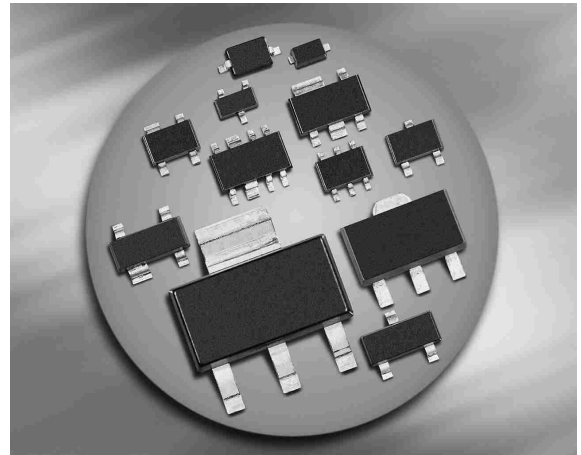


**RF ESD Protection Diodes**

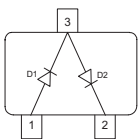
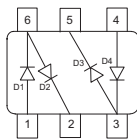
- ESD / transient protection of RF antenna / interfaces or ultra high speed data lines acc. to:  
IEC61000-4-2 (ESD):  $\pm 20$  kV (contact)  
IEC61000-4-4 (EFT): 40 A (5/50 ns)  
IEC61000-4-5 (surge): 10 A (8/20  $\mu$ s)
- Ultra low capacitance of 1 pF typ.  
(0.5 pF per diode)
- Low clamping voltage
- Pb-free (ROHS compliant) package


**Applications in anti-parallel configuration**

- For low RF signal levels without superimposed DC voltage: e.g. GPS, WLAN, Bluetooth

**Applications in rail-to-rail configuration**

- For high RF signal levels or low RF signal levels with superimposed DC voltage: e.g. HDMI, S-ATA, Gbit Ethernet


**ESD1P0RFW**

**ESD1P0RFS**


Type	Package	Configuration	Marking
ESD1P0RFS	SOT363	2 channels	E6s
ESD1P0RFW	SOT323	1 channel	E6s

**Maximum Ratings** at  $T_A = 25^\circ\text{C}$ , unless otherwise specified

Parameter	Symbol	Value	Unit
ESD contact discharge <sup>1)</sup>	$V_{\text{ESD}}$	20	kV
Peak pulse current ( $t_p = 8 / 20 \mu\text{s}$ ) <sup>2)</sup>	$I_{\text{pp}}$	10	A
Operating temperature range	$T_{\text{op}}$	-55...150	°C
Storage temperature	$T_{\text{stg}}$	-65...150	

**Electrical Characteristics** at  $T_A = 25^\circ\text{C}$ , unless otherwise specified

Parameter	Symbol	Values			Unit
		min.	typ.	max.	
<b>Characteristics</b>					
Reverse working voltage <sup>3)</sup>	$V_{\text{RWM}}$	-	-	70	V
Reverse current $V_R = 70 \text{ V}$	$I_R$	-	-	100	nA
Forward clamping voltage <sup>2)</sup> $I_{\text{pp}} = 3 \text{ A}, t_p = 8/20 \mu\text{s}$ $I_{\text{pp}} = 10 \text{ A}, t_p = 8/20 \mu\text{s}$	$V_{\text{FC}}$	-	4 12	7 15	V
Line capacitance <sup>4)</sup> $V_R = 0 \text{ V}, f = 1 \text{ MHz}$ $V_R = 0 \text{ V}, f = 1 \text{ MHz}$ , for Application example 4	$C_T$	-	1 0.5	1.5 0.75	pF
Series inductance (per diode) SOT323 SOT363	$L_S$	-	1.4 1.6	- -	nH

<sup>1)</sup> $V_{\text{ESD}}$  according to IEC61000-4-2, only valid in anti-parallel or rail-to-rail connection.

Please refer to the application examples.

<sup>2)</sup> $I_{\text{pp}}$  according to IEC61000-4-5, only valid in anti-parallel or rail-to-rail connection.

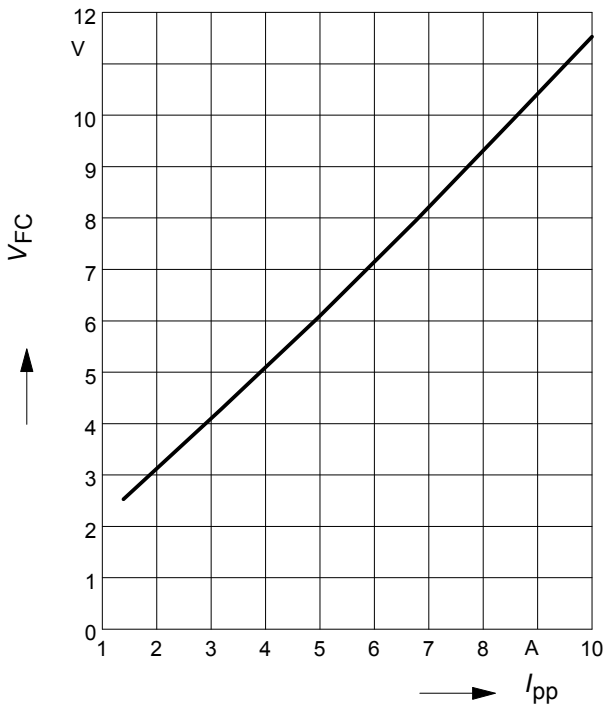
Please refer to the application examples.

<sup>3)</sup>Only valid in rail-to-rail configuration  $V_{\text{CC}} \geq V_{\text{RWM}}$

<sup>4)</sup>Total capacitance line to ground (2 diodes in parallel)

**Forward clamping voltage**  $V_{FC} = f(I_{PP})$

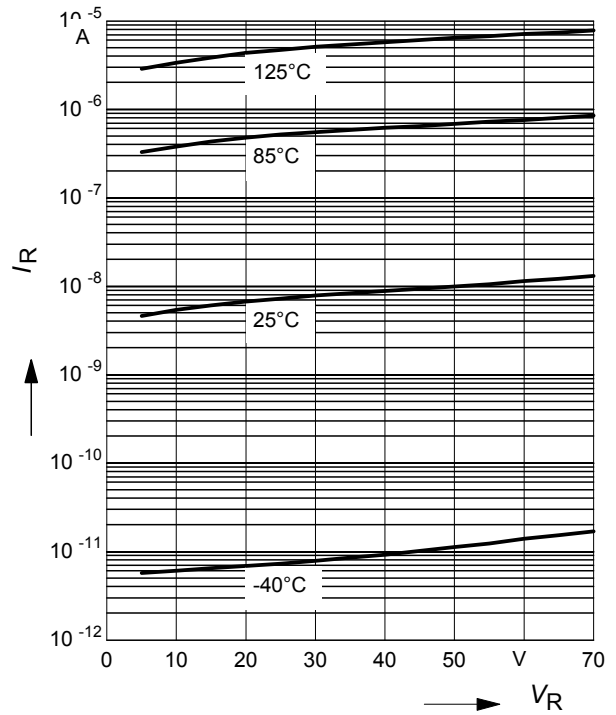
$t_p = 8 / 20 \mu s$



**Reverse current**  $I_R = f(V_R)$

$T_A = \text{Parameter}$

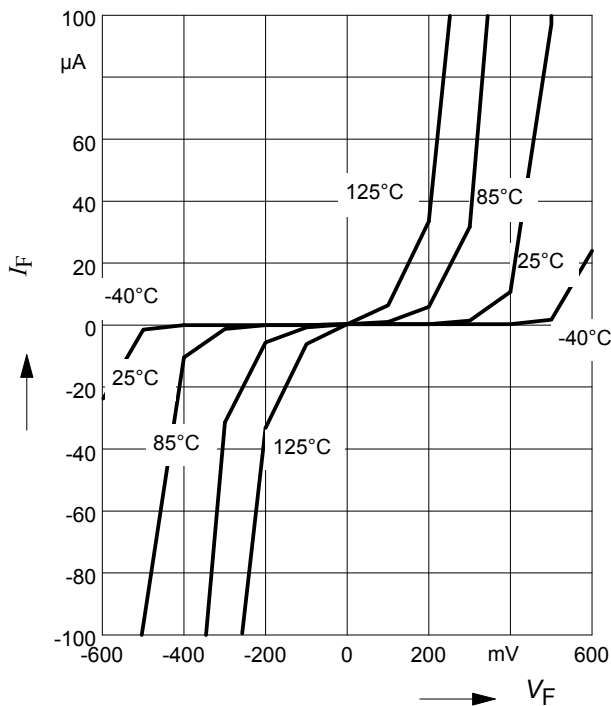
in rail-to-rail configuration



**Forward current**  $I_F = f(V_F)$

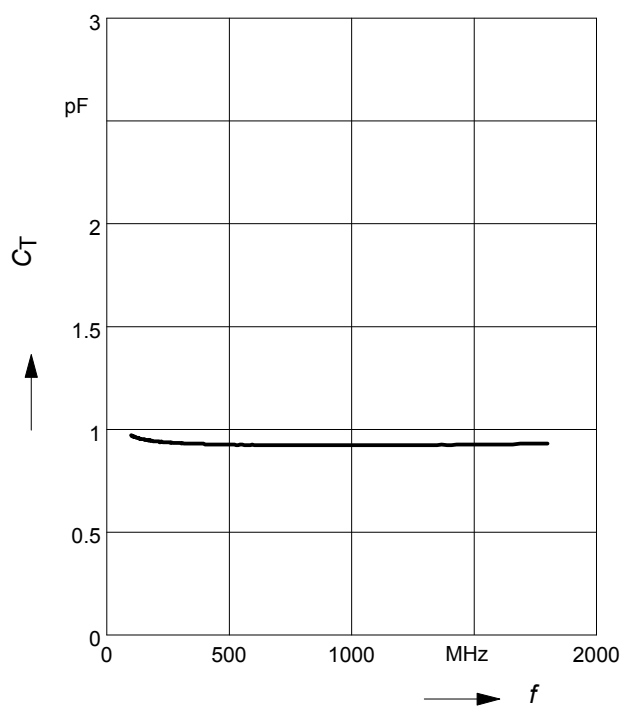
$T_A = \text{Parameter}$

in anti-parallel configuration



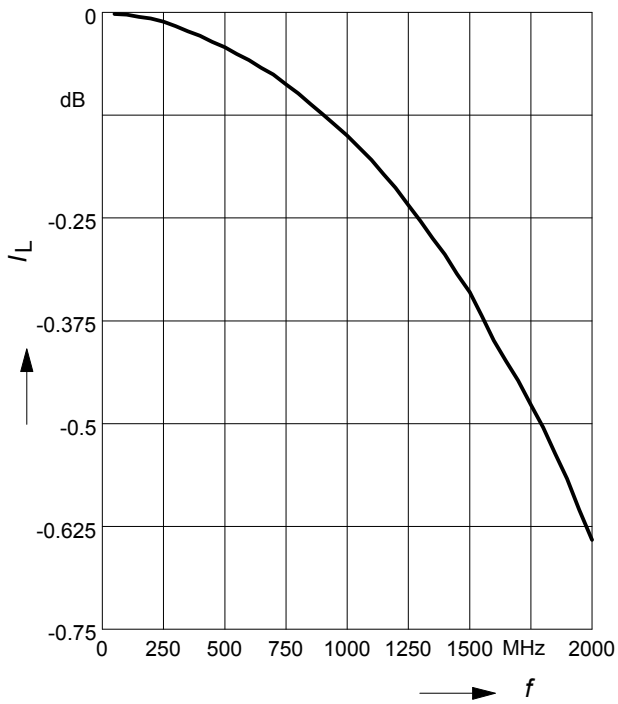
**Line capacitance**  $C_T = f(f)$

$V_R = 0 V$



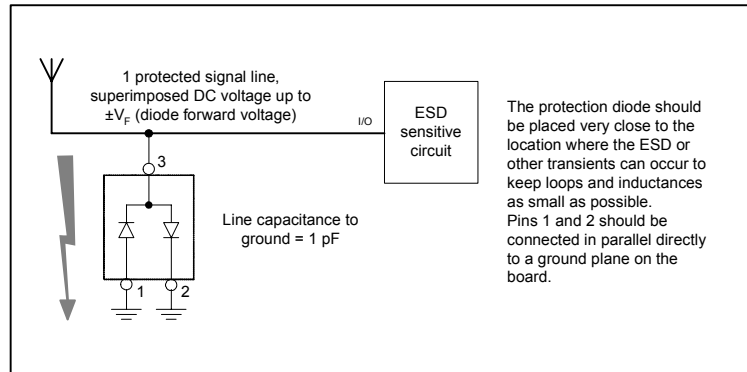
Insertion loss  $|S_{21}|^2 = f(f)$

$V_R = 0$  V, line to ground,  $Z = 50 \Omega$



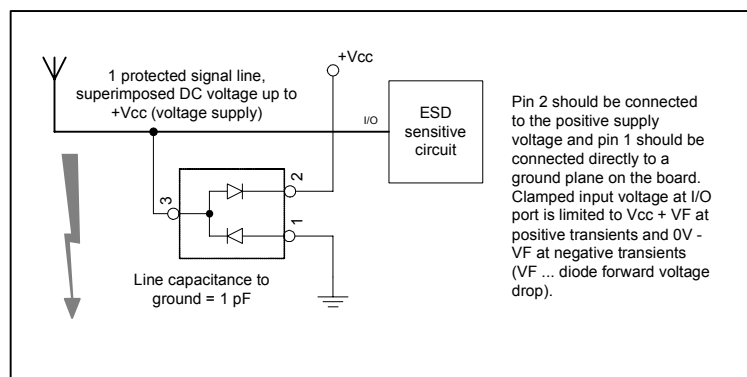
### 1. Application example ESD1P0RFW

1 channel, anti-parallel configuration



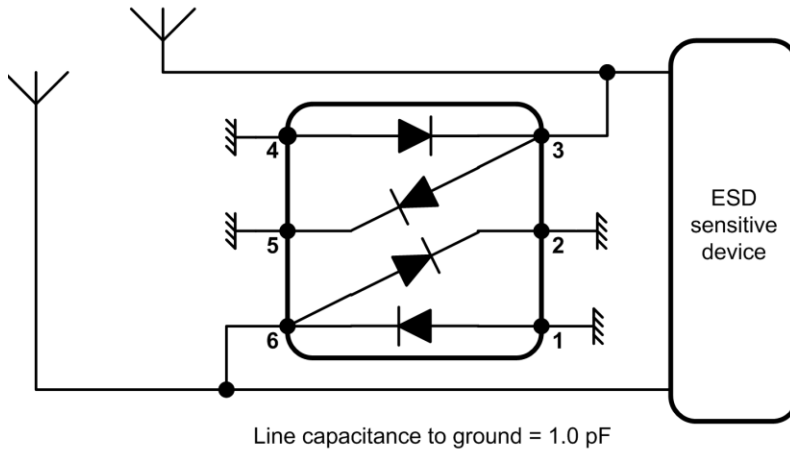
### 2. Application example ESD1P0RFW

1 channel, rail-to-rail configuration



**3. Application example ESD1P0RFS**  
2 channel, anti-parallel configuration

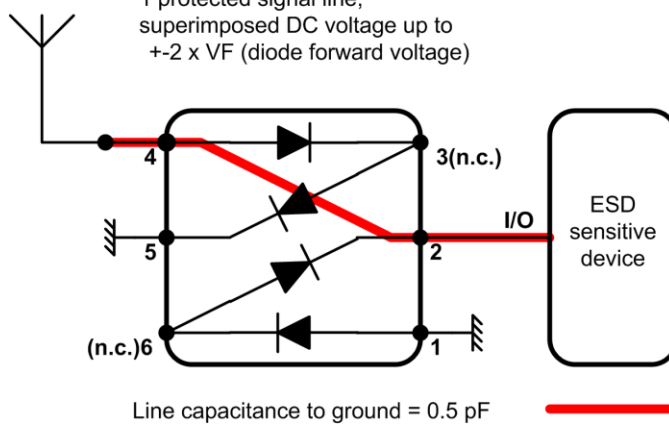
2 protected signal lines,  
superimposed DC voltage up to  
 $\pm V_F$  (diode forward voltage)



Pins 1, 2 and 4, 5 should be connected in parallel directly to a ground plane on the board. Clamped input voltage at I/O port is limited to  $\pm V_{CL}$  (clamping voltage) at positive resp. negative transients.

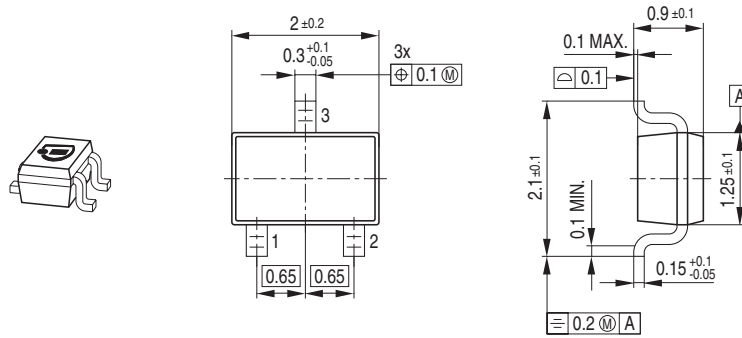
**4. Application example ESD1P0RFS**  
1 channel, low capacitance anti-parallel configuration

1 protected signal line,  
superimposed DC voltage up to  
 $\pm 2 \times V_F$  (diode forward voltage)

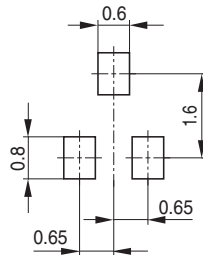


Pins 1 and 5 should be connected directly to a ground plane on the board. Pins 3, 6 are not connected. Clamped input voltage at I/O port is limited to  $\pm 2 \times V_{CL}$  (clamping voltage) at positive resp. negative transients.

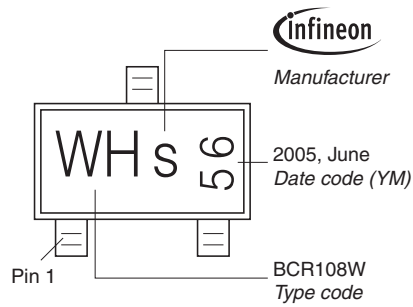
Package Outline



Foot Print

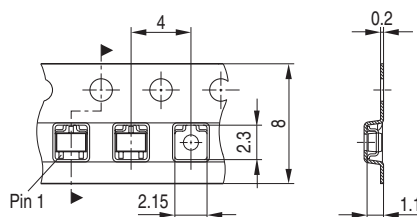


Marking Layout (Example)

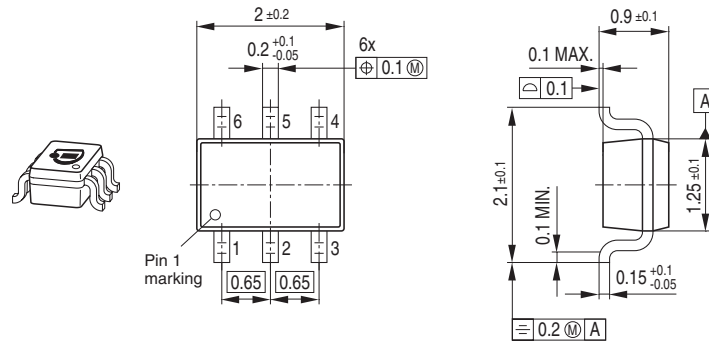


Standard Packing

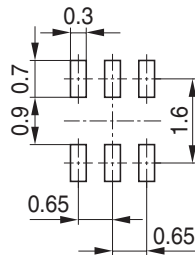
Reel  $\varnothing 180$  mm = 3.000 Pieces/Reel  
 Reel  $\varnothing 330$  mm = 10.000 Pieces/Reel



Package Outline

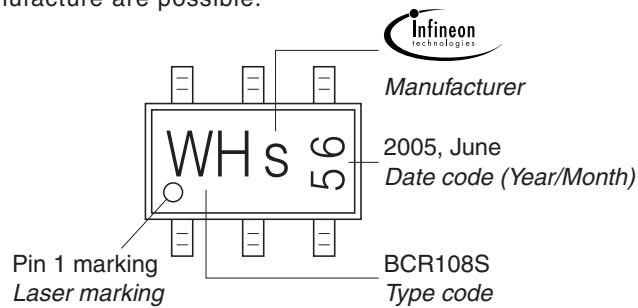


Foot Print



Marking Layout (Example)

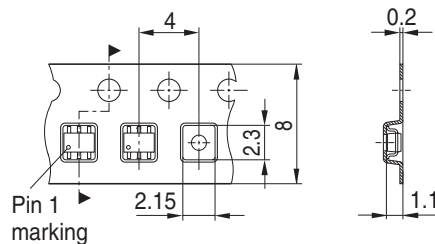
Small variations in positioning of Date code, Type code and Manufacture are possible.



Standard Packing

Reel  $\varnothing$ 180 mm = 3.000 Pieces/Reel  
 Reel  $\varnothing$ 330 mm = 10.000 Pieces/Reel

For symmetric types no defined Pin 1 orientation in reel.





Edition 2006-02-01

Published by

Infineon Technologies AG

81726 München, Germany

© Infineon Technologies AG 2007.

All Rights Reserved.

### **Attention please!**

The information given in this dokument shall in no event be regarded as a guarantee of conditions or characteristics ("Beschaffenheitsgarantie"). With respect to any examples or hints given herein, any typical values stated herein and/or any information regarding the application of the device, Infineon Technologies hereby disclaims any and all warranties and liabilities of any kind, including without limitation warranties of non-infringement of intellectual property rights of any third party.

### **Information**

For further information on technology, delivery terms and conditions and prices please contact your nearest Infineon Technologies Office ([www.infineon.com](http://www.infineon.com)).

### **Warnings**

Due to technical requirements components may contain dangerous substances. For information on the types in question please contact your nearest Infineon Technologies Office.

Infineon Technologies Components may only be used in life-support devices or systems with the express written approval of Infineon Technologies, if a failure of such components can reasonably be expected to cause the failure of that life-support device or system, or to affect the safety or effectiveness of that device or system.

Life support devices or systems are intended to be implanted in the human body, or to support and/or maintain and sustain and/or protect human life. If they fail, it is reasonable to assume that the health of the user or other persons may be endangered.

# Mouser Electronics

Authorized Distributor

Click to View Pricing, Inventory, Delivery & Lifecycle Information:

Infineon:

[ESD1P0RFWH6327XTSA1](#)