

MOSFET

Metal Oxide Semiconductor Field Effect Transistor

CoolMOS™ CFD2 650V

650V CoolMOS™ CFD2 Power Transistor
IPW65R041CFD

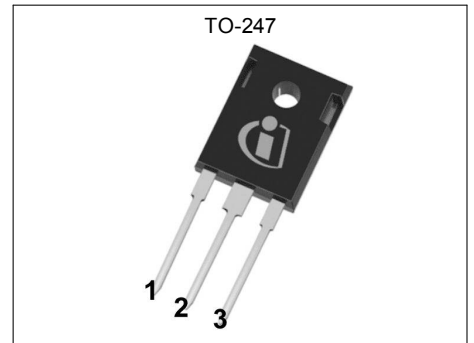
Data Sheet

Rev. 2.0
Final

Industrial & Multimarket

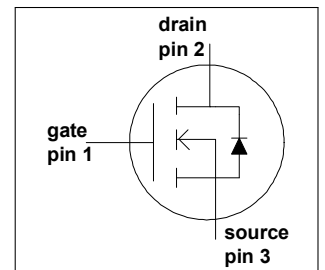
1 Description

CoolMOS™ is a revolutionary technology for high voltage power MOSFETs, designed according to the superjunction (SJ) principle and pioneered by Infineon Technologies. 650V CoolMOS™ CFD2 series combines the experience of the leading SJ MOSFET supplier with high class innovation. The resulting devices provide all benefits of a fast switching SJ MOSFET while offering an extremely fast and robust body diode. This combination of extremely low switching, commutation and conduction losses together with highest robustness make especially resonant switching applications more reliable, more efficient, lighter and cooler.



Features

- Ultra-fast body diode
- Very high commutation ruggedness
- Extremely low losses due to very low FOM $R_{ds(on)} \cdot Q_g$ and E_{oss}
- Easy to use/drive
- Pb-free plating, Halogen free mold compound
- Qualified for industrial grade applications according to JEDEC (J-STD20 and JESD22)



Applications

650V CoolMOS™ CFD2 is especially suitable for resonant switching PWM stages for e.g. PC Silverbox, LCD TV, Lighting, Server, Telecom and Solar.

Please note: For MOSFET paralleling the use of ferrite beads on the gate or separate totem poles is generally recommended.



Table 1 Key Performance Parameters

| Parameter | Value | Unit |
|-----------------------|-------|------------|
| $V_{DS} @ T_{j \max}$ | 700 | V |
| $R_{DS(on),max}$ | 0.041 | Ω |
| Q_g,typ | 300 | nC |
| $I_D,pulse$ | 255 | A |
| $E_{oss} @ 400V$ | 22.5 | μJ |
| Body diode di/dt | 900 | A/ μs |
| Q_{rr} | 1.9 | μC |
| t_{rr} | 250 | ns |
| I_{rrm} | 15 | A |

| Type / Ordering Code | Package | Marking | Related Links |
|----------------------|-----------|---------|----------------|
| IPW65R041CFD | PG-TO 247 | 65F6041 | see Appendix A |



Table of Contents

Description 2

Table of Contents 3

Maximum ratings 4

Thermal characteristics 5

Electrical characteristics 6

Electrical characteristics diagrams 8

Test Circuits 12

Package Outlines 13

Appendix A 14

Revision History 15

Disclaimer 15

2 Maximum ratings

at $T_j = 25^\circ\text{C}$, unless otherwise specified

Table 2 Maximum ratings

| Parameter | Symbol | Values | | | Unit | Note / Test Condition |
|---|----------------|--------|------|-------|------------------|--|
| | | Min. | Typ. | Max. | | |
| Continuous drain current ¹⁾ | I_D | | | 68.5 | A | $T_C = 25^\circ\text{C}$ |
| | | | | 43.3 | | $T_C = 100^\circ\text{C}$ |
| Pulsed drain current ²⁾ | $I_{D,pulse}$ | | | 255 | A | $T_C = 25^\circ\text{C}$ |
| Avalanche energy, single pulse | E_{AS} | | | 2185 | mJ | $t_b = 13.7\text{A}$, $V_{DD} = 50\text{V}$ |
| Avalanche energy, repetitive | E_{AR} | | | 3.31 | mJ | $t_b = 13.7\text{A}$, $V_{DD} = 50\text{V}$ |
| Avalanche current, repetitive | I_{AR} | | | 13.7 | A | |
| MOSFET dv/dt ruggedness | dv/dt | | | 50 | V/ns | $V_{DS} = 0 \dots 400\text{V}$ |
| Gate source voltage | V_{GS} | -20 | | 20 | V | static |
| | | -30 | | 30 | | AC ($f > 1\text{ Hz}$) |
| Power dissipation (non FullPAK) TO-247 | P_{tot} | | | 500.0 | W | $T_C = 25^\circ\text{C}$ |
| Operating and storage temperature | T_j, T_{stg} | -55 | | 150 | $^\circ\text{C}$ | |
| Mounting torque (non FullPAK) TO-247 | | | | 60 | Ncm | M3 and M3.5 screws |
| Continuous diode forward current | I_S | | | 68.5 | A | $T_C = 25^\circ\text{C}$ |
| Diode pulse current | $I_{S,pulse}$ | | | 255 | A | $T_C = 25^\circ\text{C}$ |
| Reverse diode dv/dt ³⁾ | dv/dt | | | 50 | V/ns | $V_{DS} = 0 \dots 400\text{V}$, $t_{SD} \leq t_b$, $T_j = 25^\circ\text{C}$ |
| Maximum diode commutation speed | di_f/dt | | | 900 | A/ μs | |

¹⁾ Limited by $T_j \text{ max.}$

²⁾ Pulse width t_p limited by $T_j \text{ max.}$

³⁾ $V_{peak} < V_{(BR)DSS}$, $T_j < T_j \text{ max.}$, identical low and high side switch with same R_g

3 Thermal characteristics

Table 3 Thermal characteristics TO-247

| Parameter | Symbol | Values | | | Unit | Note / Test Condition |
|--|------------|--------|------|------|------|--------------------------------------|
| | | Min. | Typ. | Max. | | |
| Thermal resistance, junction - case | R_{thJC} | | | 0.25 | °C/W | |
| Thermal resistance, junction - ambient | R_{thJA} | | | 62 | °C/W | leaded |
| Soldering temperature, wavesoldering only allowed at leads | T_{sold} | | | 260 | °C | 1.6 mm (0.063 in.) from case for 10s |

4 Electrical characteristics

at $T_j = 25^\circ\text{C}$, unless otherwise specified

Table 4 Static characteristics

| Parameter | Symbol | Values | | | Unit | Note / Test Condition |
|----------------------------------|---------------|--------|-------|-------|----------|---|
| | | Min. | Typ. | Max. | | |
| Drain-source breakdown voltage | $V_{(BR)DSS}$ | 650 | | | V | $V_{GS} = 0V, I_D = 1mA$ |
| Gate threshold voltage | $V_{GS(th)}$ | 3.5 | 4 | 4.5 | V | $V_{DS} = V_{GS}, I_D = 3.3mA$ |
| Zero gate voltage drain current | I_{DSS} | | | 3.5 | μA | $V_{DS} = 650V, V_{GS} = 0V, T_j = 25^\circ C$ |
| | | | 1000 | | | $V_{DS} = 650V, V_{GS} = 0V, T_j = 150^\circ C$ |
| Gate-source leakage current | I_{GSS} | | | 100 | nA | $V_{GS} = 20V, V_{DS} = 0V$ |
| Drain-source on-state resistance | $R_{DS(on)}$ | | 0.037 | 0.041 | Ω | $V_{GS} = 10V, I_D = 33.1A, T_j = 25^\circ C$ |
| | | | 0.096 | | | $V_{GS} = 10V, I_D = 33.1A, T_j = 150^\circ C$ |
| Gate resistance | R_G | | 0.7 | | Ω | $f = 1MHz, \text{open drain}$ |

Table 5 Dynamic characteristics

| Parameter | Symbol | Values | | | Unit | Note / Test Condition |
|--|--------------|--------|------|------|------|---|
| | | Min. | Typ. | Max. | | |
| Input capacitance | C_{iss} | | 8400 | | pF | $V_{GS} = 0V, V_{DS} = 100V, f = 1MHz$ |
| Output capacitance | C_{oss} | | 400 | | pF | |
| Effective output capacitance, energy related ¹⁾ | $C_{o(er)}$ | | 288 | | pF | $V_{GS} = 0V, V_{DS} = 0 \dots 400V$ |
| Effective output capacitance, time related ²⁾ | $C_{o(tr)}$ | | 1485 | | pF | $I_D = \text{constant}, V_{GS} = 0V, V_{DS} = 0 \dots 400V$ |
| Turn-on delay time | $t_{d(on)}$ | | 34 | | ns | $V_{DD} = 400V, V_{GS} = 13V, I_D = 49.6A, R_G = 1.8\Omega$ |
| Rise time | t_r | | 28 | | ns | |
| Turn-off delay time | $t_{d(off)}$ | | 127 | | ns | |
| Fall time | t_f | | 8 | | ns | |

Table 6 Gate charge characteristics

| Parameter | Symbol | Values | | | Unit | Note / Test Condition |
|-----------------------|---------------|--------|------|------|------|--|
| | | Min. | Typ. | Max. | | |
| Gate to source charge | Q_{gs} | | 54 | | nC | $V_{DD} = 480V, I_D = 49.6A, V_{GS} = 0 \text{ to } 10V$ |
| Gate to drain charge | Q_{gd} | | 165 | | nC | |
| Gate charge total | Q_g | | 300 | | nC | |
| Gate plateau voltage | $V_{plateau}$ | | 6.5 | | V | |

¹⁾ $C_{o(er)}$ is a fixed capacitance that gives the same stored energy as C_{oss} while V_{DS} is rising from 0 to 400V

²⁾ $C_{o(tr)}$ is a fixed capacitance that gives the same charging time as C_{oss} while V_{DS} is rising from 0 to 400V

Table 7 Reverse diode characteristics

| Parameter | Symbol | Values | | | Unit | Note / Test Condition |
|-------------------------------|-----------|--------|------|------|---------|---|
| | | Min. | Typ. | Max. | | |
| Diode forward voltage | V_{SD} | | 1 | | V | $V_{GS} = 0V, I_F = 49.6A, T_j = 25^\circ C$ |
| Reverse recovery time | t_{rr} | | 250 | | ns | $V_R = 400V, I_F = 49.6A, dI/dt = 100A/\mu s$ |
| Reverse recovery charge | Q_{rr} | | 1.9 | | μC | |
| Peak reverse recovery current | I_{rrm} | | 15 | | A | |

5 Electrical characteristics diagrams

Table 8

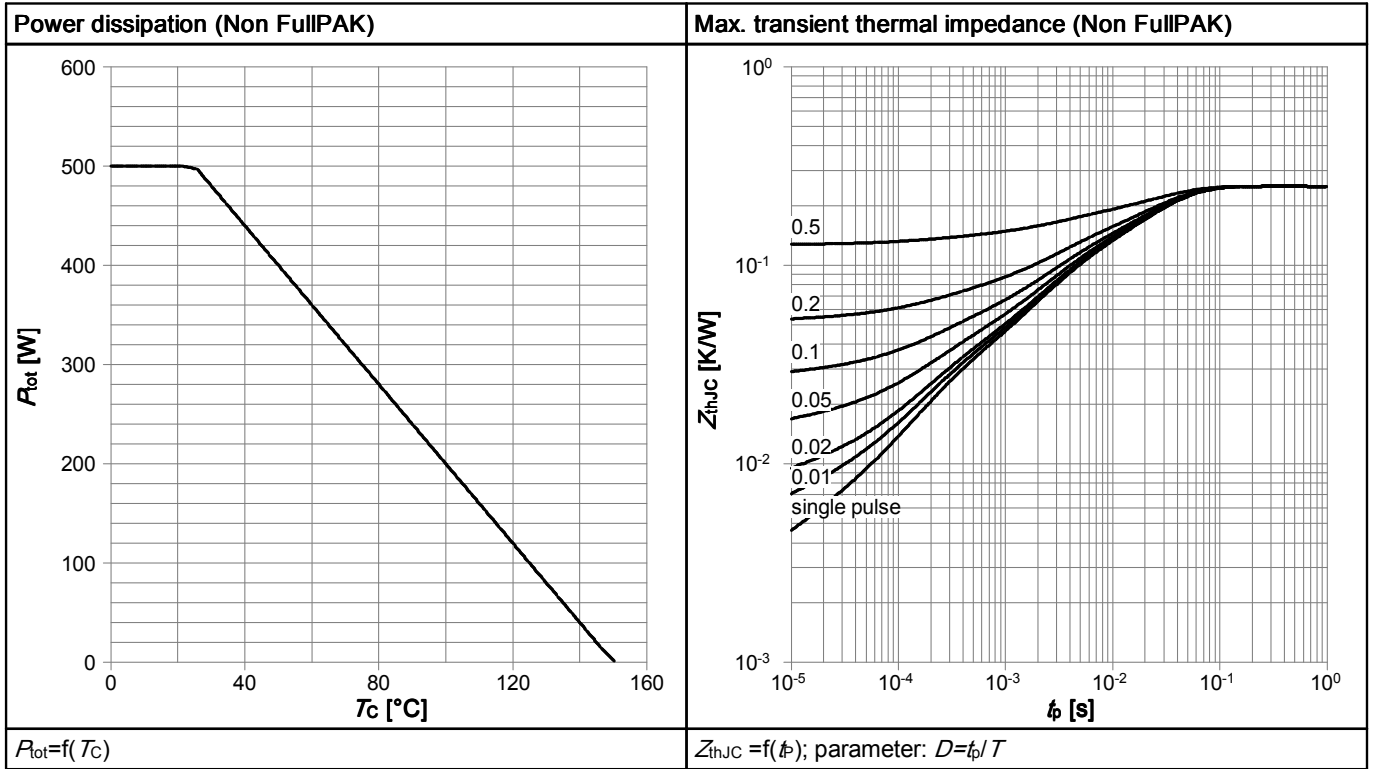


Table 9

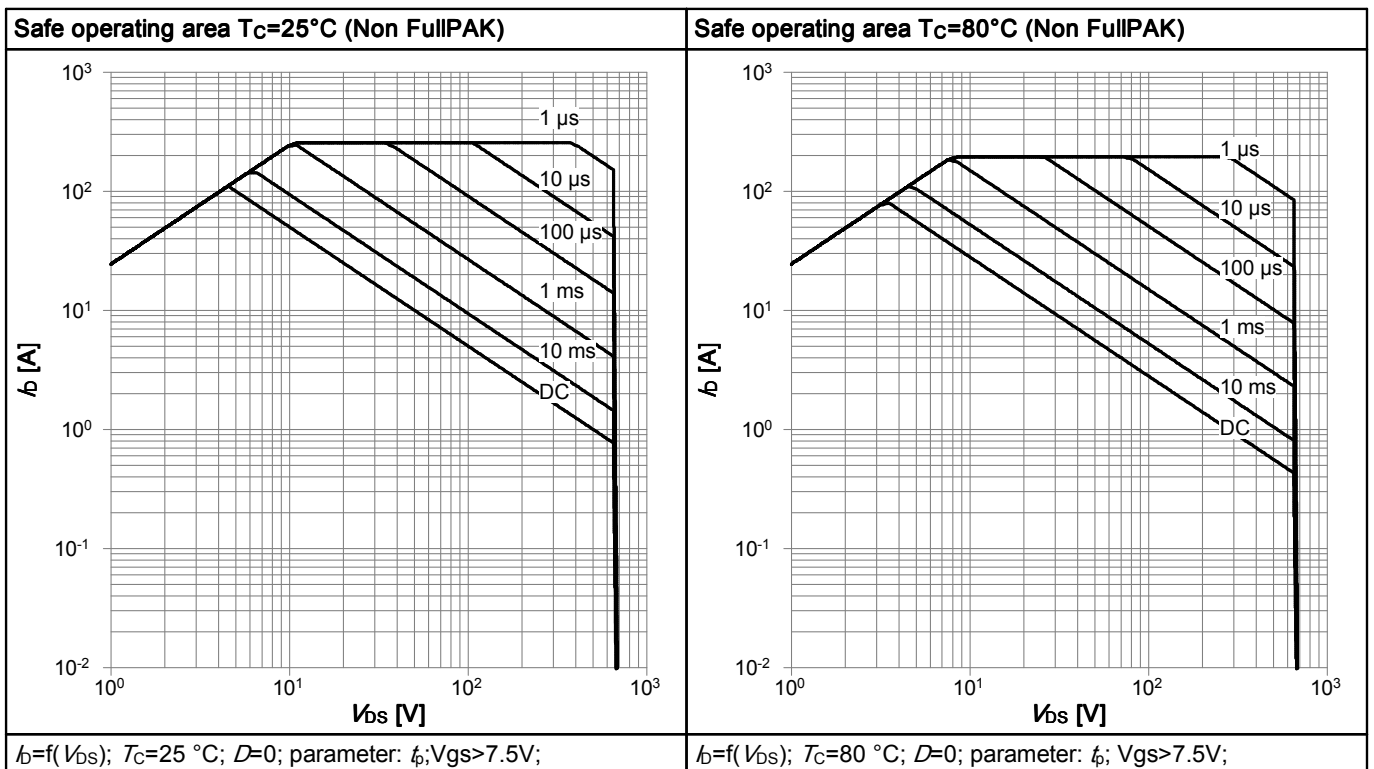


Table 10

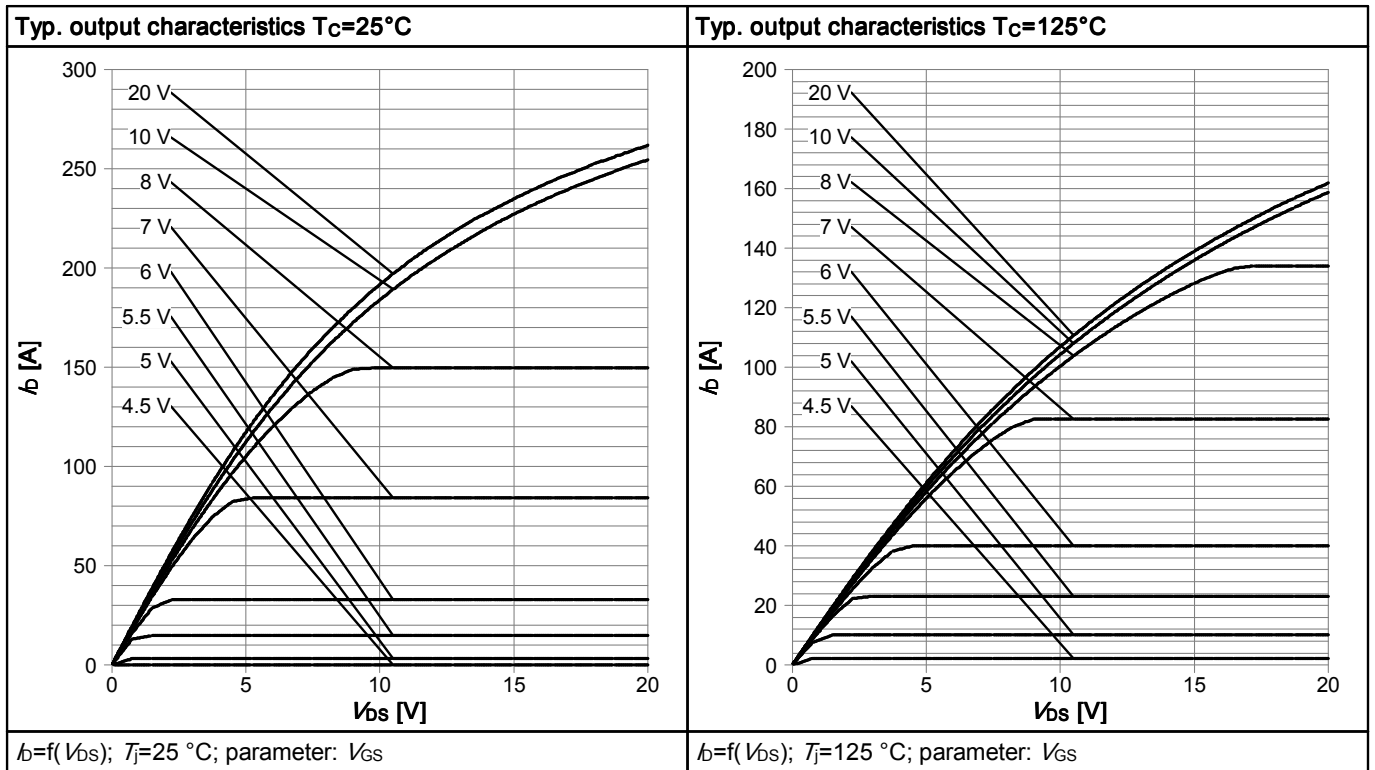


Table 11

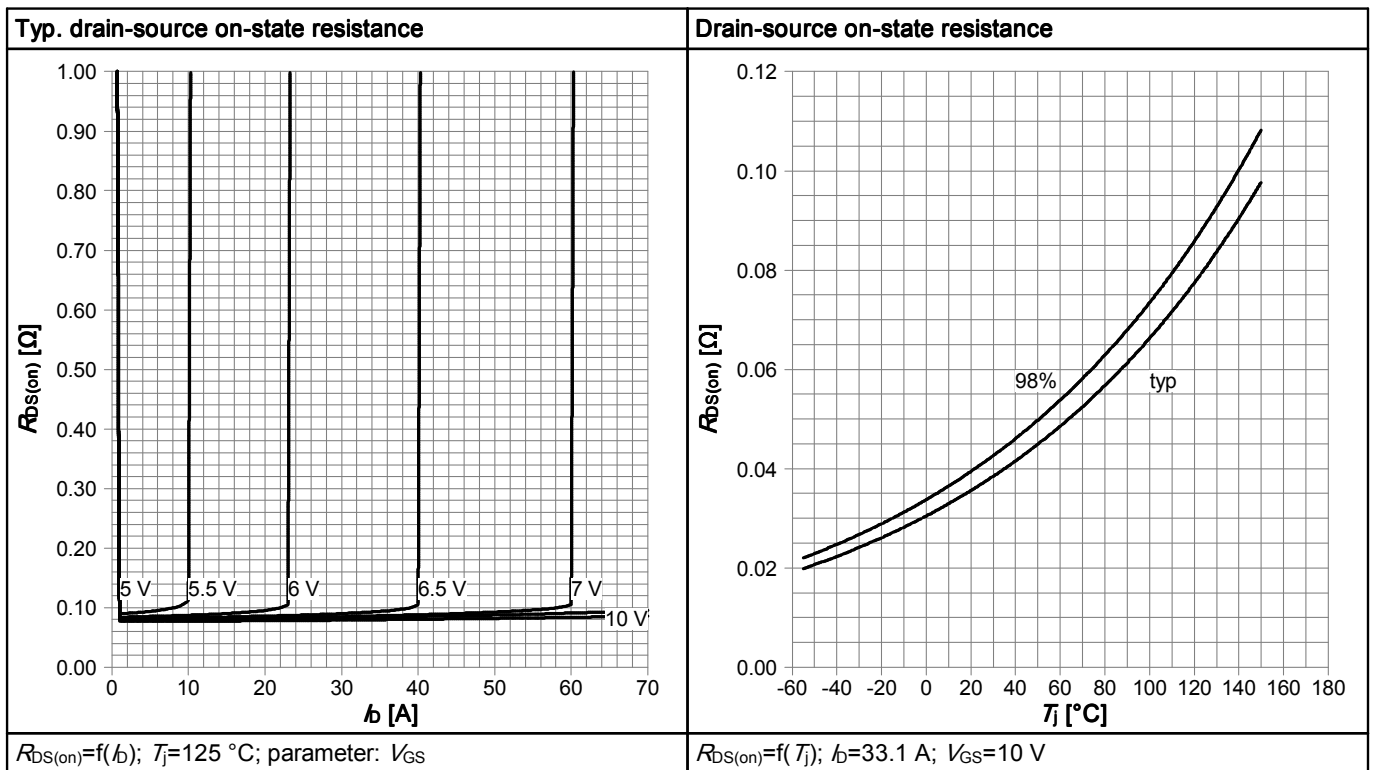


Table 12

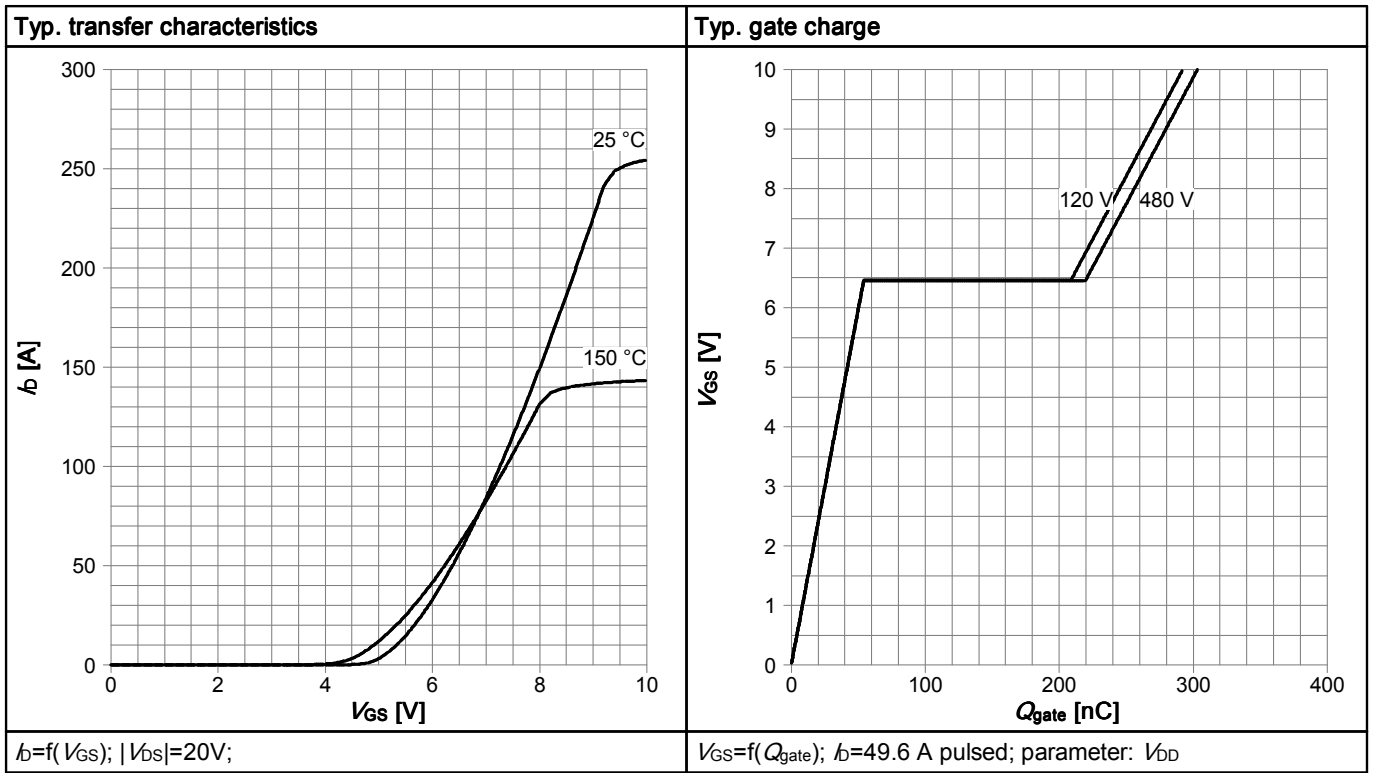


Table 13

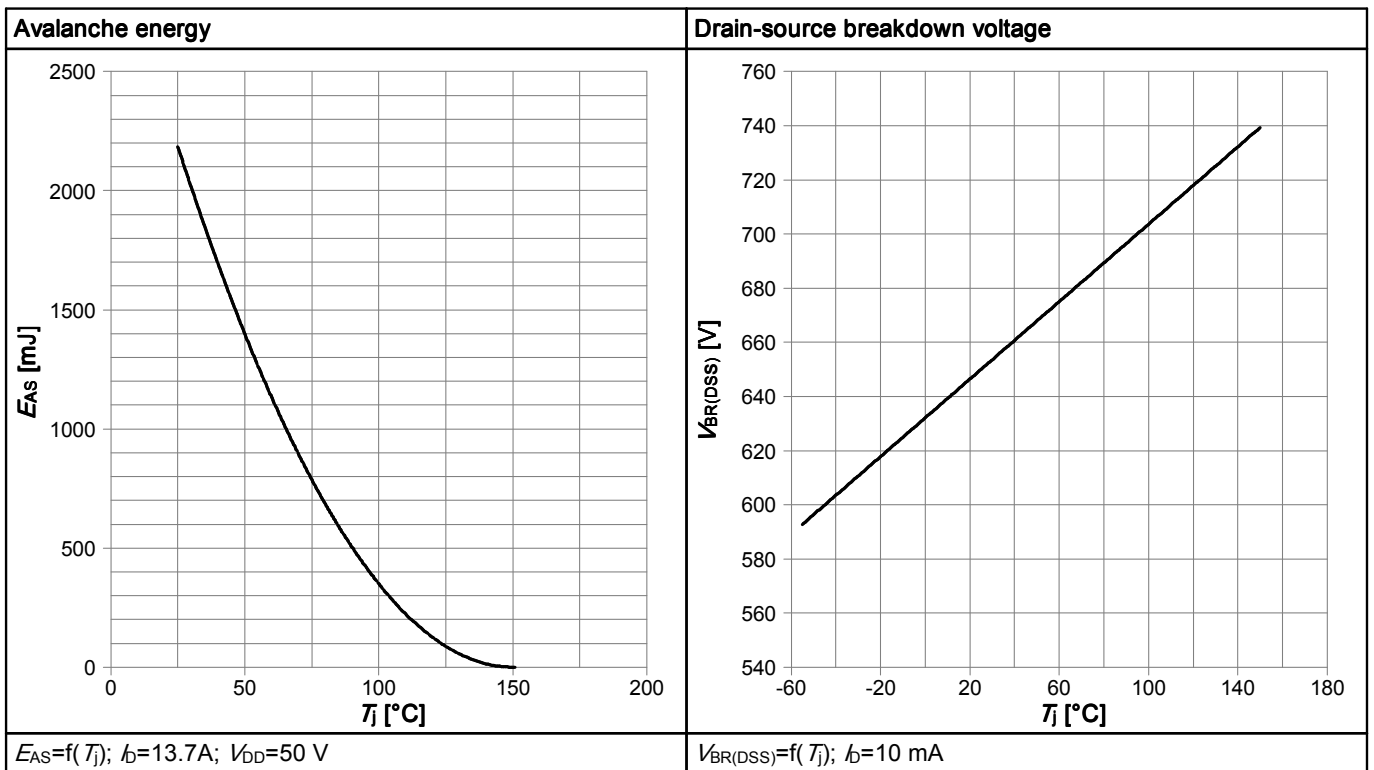


Table 14

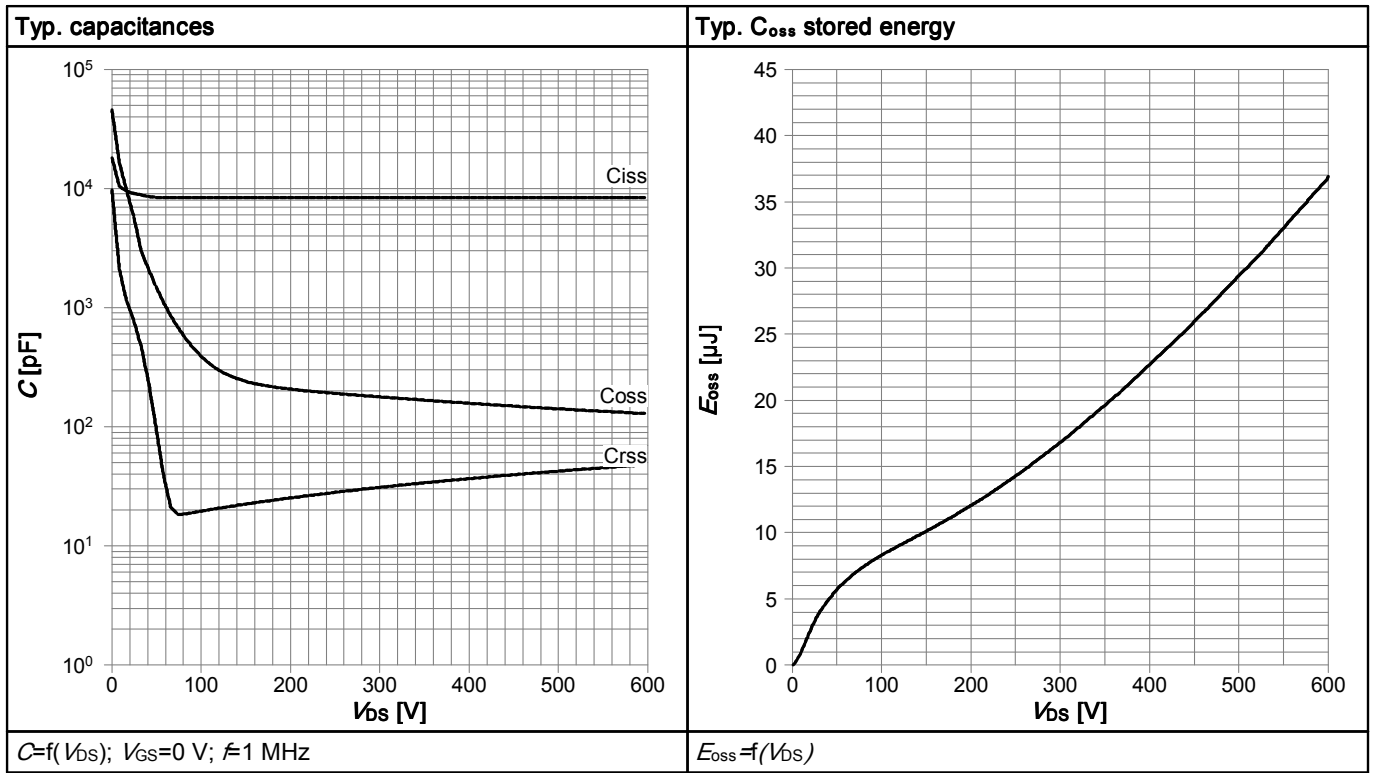
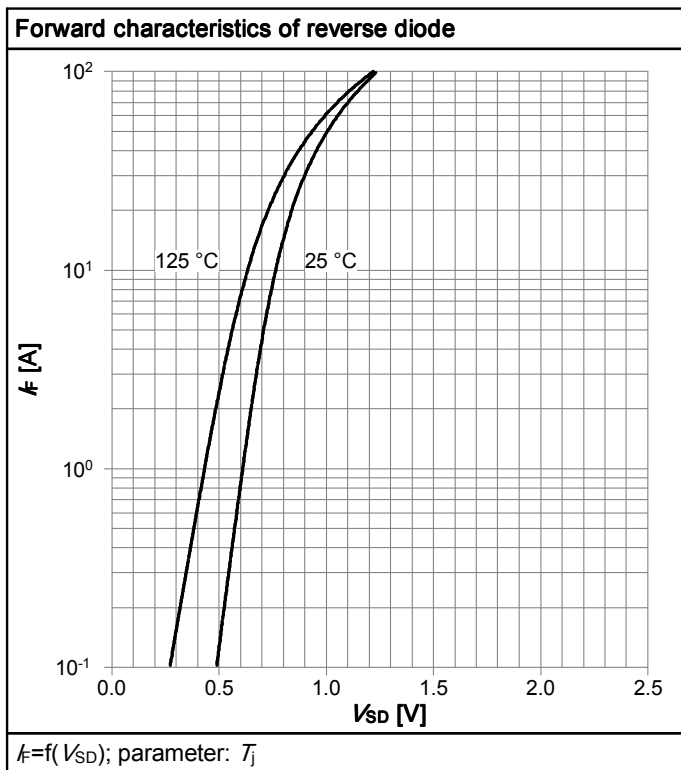


Table 15



6 Test Circuits

Table 16 Diode_characteristics



Table 17 Switching_times

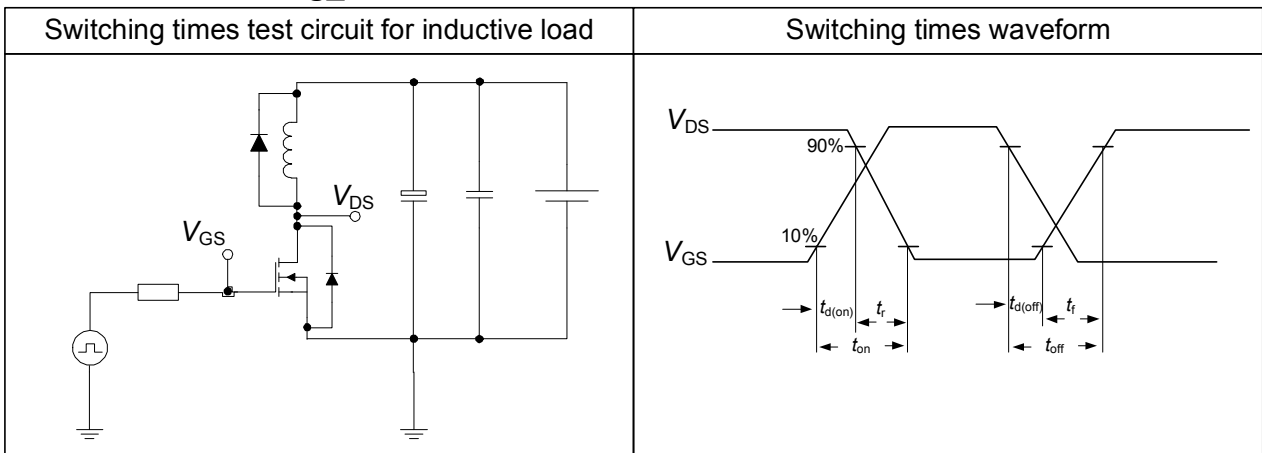
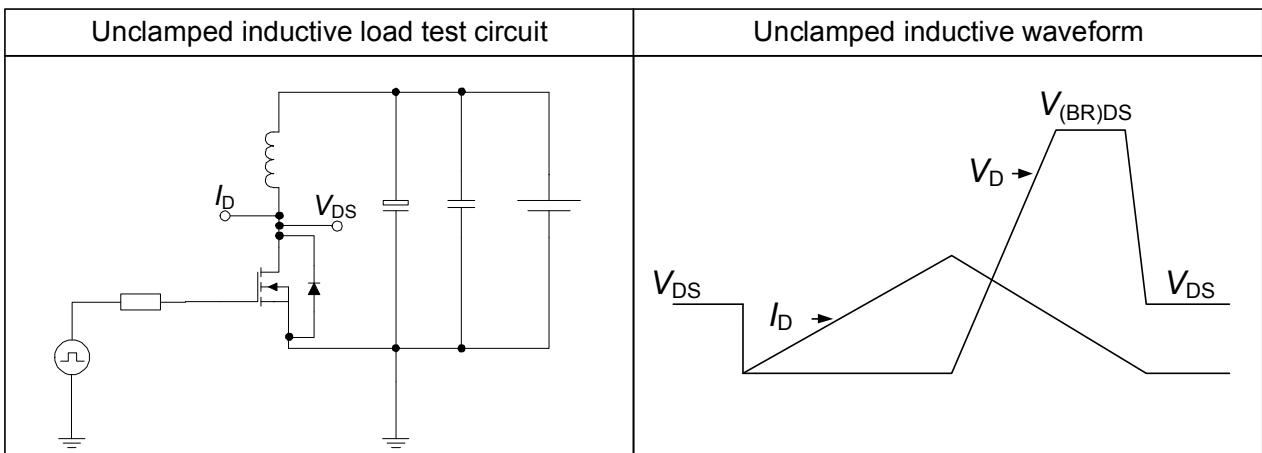


Table 18 Unclamped_inductive



7 Package Outlines

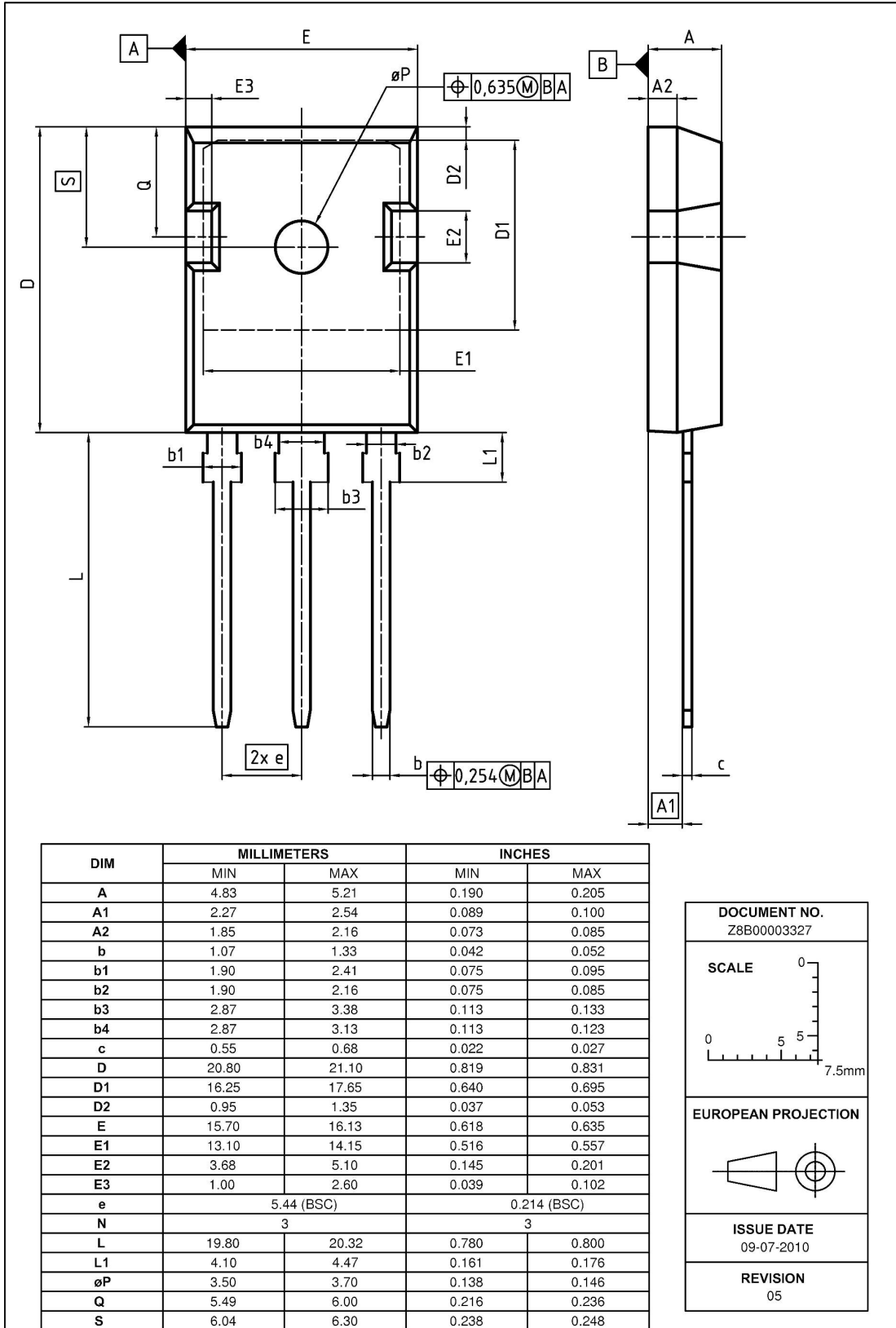


Figure 1 Outline PG-TO 247, dimensions in mm/inches

8 Appendix A

Table 19 Related Links

- **IFX Design Tools:**
<http://www.infineon.com/cms/en/product/promopages/designtools/index.html>
- **IFX CoolMOS Webpage:**
<http://www.infineon.com/cms/en/product/channel.html?channel=ff80808112ab681d0112ab6a628704d8>

Revision History

IPW65R041CFD

Revision: 2011-10-13, Rev. 2.0

Previous Revision

| Revision | Date | Subjects (major changes since last revision) |
|----------|------------|--|
| 2.0 | 2011-10-13 | release of final datasheet |

We Listen to Your Comments

Any information within this document that you feel is wrong, unclear or missing at all? Your feedback will help us to continuously improve the quality of this document. Please send your proposal (including a reference to this document) to: erratum@infineon.com

Edition 2011-08-01

Published by

Infineon Technologies AG

81726 München, Germany

© 2011 Infineon Technologies AG

All Rights Reserved.

Legal Disclaimer

The information given in this document shall in no event be regarded as a guarantee of conditions or characteristics. With respect to any examples or hints given herein, any typical values stated herein and/or any information regarding the application of the device, Infineon Technologies hereby disclaims any and all warranties and liabilities of any kind, including without limitation, warranties of non-infringement of intellectual property rights of any third party.

Information

For further information on technology, delivery terms and conditions and prices please contact your nearest Infineon Technologies Office (www.infineon.com).

Warnings

Due to technical requirements, components may contain dangerous substances. For information on the types in question, please contact the nearest Infineon Technologies Office.

The Infineon Technologies component described in this Data Sheet may be used in life-support devices or systems and/or automotive, aviation and aerospace applications or systems only with the express written approval of Infineon Technologies, if a failure of such components can reasonably be expected to cause the failure of that life-support, automotive, aviation and aerospace device or system or to affect the safety or effectiveness of that device or system. Life support devices or systems are intended to be implanted in the human body or to support and/or maintain and sustain and/or protect human life. If they fail, it is reasonable to assume that the health of the user or other persons may be endangered.

Mouser Electronics

Authorized Distributor

Click to View Pricing, Inventory, Delivery & Lifecycle Information:

[Infineon:](#)

[IPW65R041CFDFKSA1](#)