



# Quad SPDT Audio Switches

MAX4740/MAX4740H

## General Description

The MAX4740/MAX4740H low on-resistance ( $0.61\Omega$  typ) analog switches operate from a single 1.6V to 5.5V supply. The MAX4740/MAX4740H are quad, single-pole, double-throw (SPDT) switches and are configured to route audio signals. The MAX4740/MAX4740H are pin-to-pin compatible parts with the ST Microelectronics quad SPDT STG3699 analog switch.

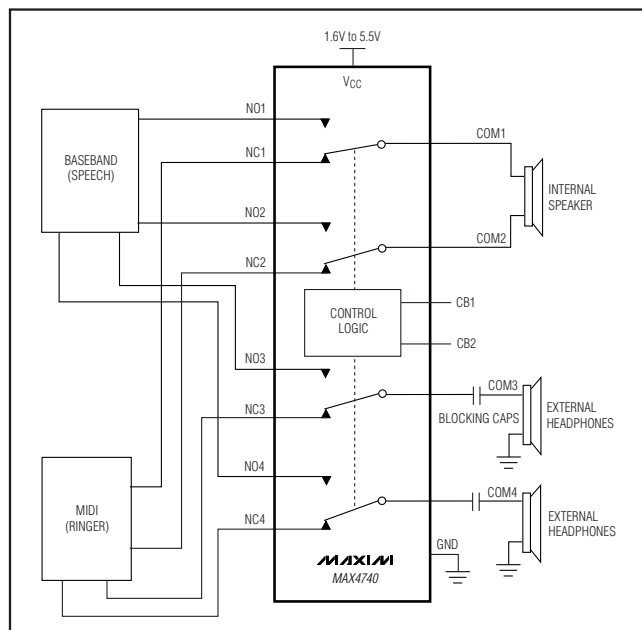
The MAX4740 is a quad SPDT switch and the MAX4740H is a quad SPDT switch that can be placed in a high-impedance mode. Switching logic is controlled by 2 control bits (CB1 and CB2). The MAX4740/MAX4740H also feature a low on-resistance match ( $0.06\Omega$ ) and low power-supply current ( $0.3\mu\text{A}$ ), which increases battery life.

The MAX4740/MAX4740H are available in a tiny 3mm x 3mm, 16-pin TQFN-EP, and 2.5mm x 2.5mm, 16-pin ultra-thin QFN packages.

## Applications

Voice Switching  
Cellular Phones  
PDAs and other Handheld Devices  
MP3 Player  
Notebook Computers

## Typical Operating Circuit



## Features

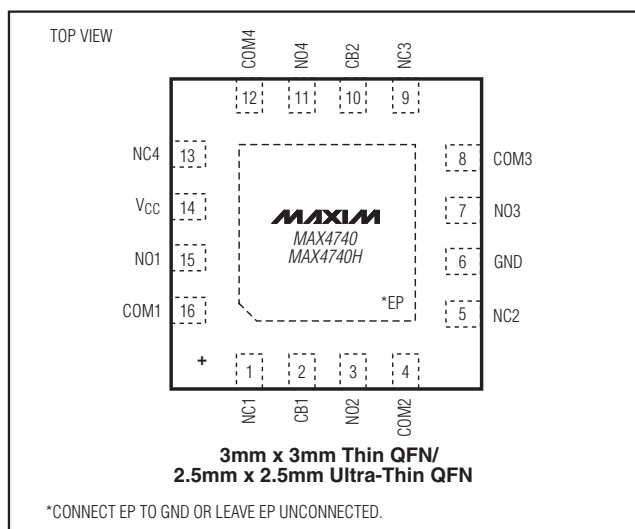
- ◆ Low On-Resistance ( $0.61\Omega$  typ)
- ◆  $0.06\Omega$  (typ) Channel-to-Channel Matching
- ◆  $0.32\Omega$  (typ) On-Resistance Flatness
- ◆ 1.6V to 5.5V Single-Supply Voltage
- ◆ High PSRR Reduces Supply Noise ( $-60\text{dB}$  typ)
- ◆ 0.08% Total Harmonic Distortion
- ◆  $-68\text{dB}$  typ Crosstalk (100kHz)
- ◆  $-64\text{dB}$  typ Off-Isolation (100kHz)
- ◆ Low Supply Current ( $0.3\mu\text{A}$  typ)
- ◆ Low Leakage Current ( $0.1\mu\text{A}$  typ)
- ◆ Pin-to-Pin Compatible with ST Micro STG3699
- ◆ (3mm x 3mm) 16-Pin TQFN, and (2.5mm x 2.5mm) 16-Pin Ultra-Thin QFN Packages

## Ordering Information

PART	PIN-PACKAGE	TOP MARK	PKG CODE
MAX4740ETE+	16 TQFN-EP (3mm x 3mm)	AEV	T1633-4
MAX4740EVE+	16 Ultra-Thin QFN (2.5mm x 2.5mm)	+AAA	V162A2-1
MAX4740HETE+	16 TQFN-EP (3mm x 3mm)	AEW	T1633-4
MAX4740HEVE+	16 Ultra-Thin QFN (2.5mm x 2.5mm)	+AAB	V162A2-1

**Note:** All devices are guaranteed over the  $-40^{\circ}\text{C}$  to  $+85^{\circ}\text{C}$  temperature range.  
EP = Exposed pad.

## Pin Configuration



# Quad SPDT Audio Switches

## ABSOLUTE MAXIMUM RATINGS

(All voltages referenced to GND.)

V <sub>CC</sub> , CB <sub>-</sub> .....	-0.3V to +6.0V
COM <sub>-</sub> , NC <sub>-</sub> , NO <sub>-</sub> .....	-0.3V to (V <sub>CC</sub> + 0.3V)
Continuous Current NO <sub>-</sub> , NC <sub>-</sub> , COM <sub>-</sub> .....	±300mA
Peak Current NO <sub>-</sub> , NC <sub>-</sub> , COM <sub>-</sub> (pulsed at 1ms, 50% duty cycle) .....	±400mA
Peak Current NO <sub>-</sub> , NC <sub>-</sub> , COM <sub>-</sub> (pulsed at 1ms, 10% duty cycle) .....	±500mA

Continuous Power Dissipation (T <sub>A</sub> = +70°C)	
16-Pin TQFN (3mm x 3mm), Single-Layer Board (derate 15.6mW/°C above +70°C) .....	1250mW
16-Pin TQFN (3mm x 3mm), Multilayer Board (derate 20.8mW/°C above +70°C) .....	1667mW
16-Pin Ultra-Thin QFN (2.5mm x 2.5mm), MultiLayer Board (derate 11.5mW/°C above +70°C) .....	923.8mW
Operating Temperature Range .....	-40°C to +85°C
Junction Temperature .....	+150°C
Storage Temperature Range .....	-65°C to +150°C
Lead Temperature (soldering, 10s) .....	+300°C

Stresses beyond those listed under "Absolute Maximum Ratings" may cause permanent damage to the device. These are stress ratings only, and functional operation of the device at these or any other conditions beyond those indicated in the operational sections of the specifications is not implied. Exposure to absolute maximum rating conditions for extended periods may affect device reliability.

## ELECTRICAL CHARACTERISTICS

(V<sub>CC</sub> = +2.7V to +5.5V, T<sub>A</sub> = -40°C to +85°C, unless otherwise noted. Typical values are at T<sub>A</sub> = +25°C, V<sub>CC</sub> = +3.3V.) (Note 1)

PARAMETER	SYMBOL	CONDITIONS	MIN	TYP	MAX	UNITS
<b>POWER SUPPLY</b>						
Supply Voltage Range	V <sub>CC</sub>		1.6		5.5	V
Supply Current	I <sub>CC</sub>	V <sub>CC</sub> = +5.5V, V <sub>CB-</sub> = 0V or V <sub>CC</sub>		0.3	1	μA
		V <sub>CC</sub> = +5.5V, V <sub>CB-</sub> = 0.5V or +1.6V		0.3	5	
		V <sub>CC</sub> = +2.5V, V <sub>CB-</sub> = 0.5V or +1.4V		0.1		
<b>ANALOG SWITCH</b>						
Analog Signal Range	V <sub>NC-</sub> , V <sub>NO-</sub> , V <sub>COM-</sub>	(Note 2)	0		V <sub>CC</sub>	V
On-Resistance	R <sub>ON</sub>	V <sub>CC</sub> = 3.3V, I <sub>COM-</sub> = 100mA; CB <sub>-</sub> = low or high	T <sub>A</sub> = +25°C	0.61	0.90	Ω
			T <sub>A</sub> = T <sub>MIN</sub> to T <sub>MAX</sub>		1	
On-Resistance Match Between Channels	ΔR <sub>ON</sub>	V <sub>CC</sub> = 3.3V, V <sub>NC-</sub> or V <sub>NO-</sub> = 0.875V; I <sub>COM-</sub> = 100mA (Note 3)	T <sub>A</sub> = +25°C	0.06		Ω
			T <sub>A</sub> = T <sub>MIN</sub> to T <sub>MAX</sub>		0.1	
On-Resistance Flatness	R <sub>FLAT(NO)</sub>	V <sub>CC</sub> = 3.3V, V <sub>COM-</sub> = 0 to V <sub>CC</sub> ; I <sub>COM-</sub> = 100mA (Note 4)	T <sub>A</sub> = +25°C	0.32	0.72	Ω
			T <sub>A</sub> = T <sub>MIN</sub> to T <sub>MAX</sub>		0.87	
NO <sub>-</sub> , NC <sub>-</sub> Off-Leakage Current	I <sub>NO-(OFF)</sub> , I <sub>NC-(OFF)</sub>	V <sub>CC</sub> = 5.5V; V <sub>NC-</sub> or V <sub>NO-</sub> = 0.3V, 5.5V; V <sub>COM-</sub> = 5.5V or 0.3V	-1	0.1	+1	μA
COM <sub>-</sub> On-Leakage Current	I <sub>COM-(ON)</sub>	V <sub>CC</sub> = 5.5V, V <sub>NC-</sub> or V <sub>NO-</sub> = 0.3V, 5.5V, or unconnected; V <sub>COM-</sub> = 0.3V, 5.5V, or unconnected	-1	0.1	+1	μA

# Quad SPDT Audio Switches

MAX4740/MAX4740H

## ELECTRICAL CHARACTERISTICS (continued)

( $V_{CC} = +2.7V$  to  $+5.5V$ ,  $T_A = -40^{\circ}C$  to  $+85^{\circ}C$ , unless otherwise noted. Typical values are at  $T_A = +25^{\circ}C$ ,  $V_{CC} = 3.3V$ .) (Note 1)

PARAMETER	SYMBOL	CONDITIONS	MIN	TYP	MAX	UNITS
<b>DYNAMIC CHARACTERISTICS</b>						
Turn-On Time	$t_{ON}$	$R_L = 32\Omega$ , $C_L = 35pF$ , Figure 2	For $NO_+$ , $V_{NO_+} = 1V$	70		ns
			For $NC_+$ , $V_{NC_+} = 1V$	210		
Turn-Off Time	$t_{OFF}$	$R_L = 32\Omega$ , $C_L = 35pF$ , Figure 2	For $NO_+$ , $V_{NO_+} = 1V$	210		ns
			For $NC_+$ , $V_{NC_+} = 1V$	55		
Charge Injection	Q	$V_{GEN_+} = 0V$ ; $R_{GEN} = 0\Omega$ ; $C_L = 1nF$ ; Figure 3		200		pC
Off-Isolation	$V_{ISO}$	$C_L = 5pF$ ; $R_L = 32\Omega$ ; $f = 100kHz$ ; $V_{COM_+} = 1V_{RMS}$ ; Figure 4 (Note 5)		-64		dB
Crosstalk	$V_{CT}$	$C_L = 5pF$ ; $R_L = 32\Omega$ ; $f = 100kHz$ ; $V_{COM_+} = 1V_{RMS}$ ; Figure 4		-68		dB
Power-Supply Rejection Ratio	PSRR	$f = 20kHz$ , $V_{COM_+} = 1V_{RMS}$ , $R_L = 50\Omega$ , $C_L = 5pF$		-60		dB
Total Harmonic Distortion	THD	$f = 20Hz$ to $20kHz$ , $V_{P-P} = 0.5V$ , $R_L = 32\Omega$		0.08		%
$NO_+$ , $NC_+$ Off-Capacitance	$C_{NO_+}(OFF)$ , $C_{NO_+}(OFF)$	$f = 1MHz$ , Figure 5		40		pF
$COM_+$ On-Capacitance	$C_{COM_+}(ON)$	$f = 1MHz$ , Figure 5		150		pF
<b>DIGITAL INPUTS (CB_)</b>						
Input Logic-High	$V_{IH}$	$V_{CC} = 1.6V$ to $2.7V$	1.4			V
		$V_{CC} = 2.7V$ to $5.5V$	1.6			
Input Logic-Low	$V_{IL}$				0.5	V
Input Leakage Current	$I_{IN}$		-1	0.1	+1	$\mu A$

**Note 1:** For TQFN (3mm x 3mm) electrical specifications are production tested at  $T_A = +85^{\circ}C$  and guaranteed by design at  $T_A = +25^{\circ}C$  and  $-40^{\circ}C$ . For Ultra-Thin QFN (2.5mm x 2.5mm) electrical specifications are production tested at  $T_A = +25^{\circ}C$  and guaranteed by design at  $T_A = +85^{\circ}C$  and  $-40^{\circ}C$ .

**Note 2:** Signals on  $COM_+$ ,  $NO_+$ , or  $NC_+$  exceeding  $V_{CC}$  are clamped by internal diodes. Limit forward-diode current to maximum current rating.

**Note 3:**  $\Delta R_{ON} = R_{ON}(MAX) - R_{ON}(MIN)$ .

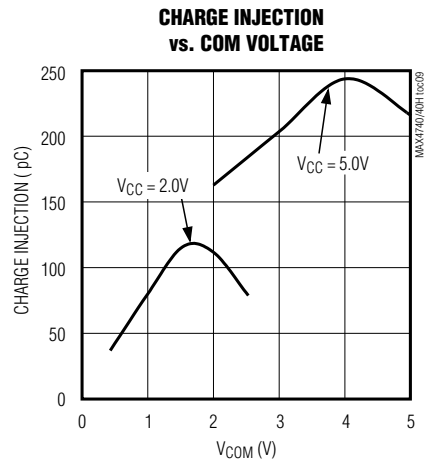
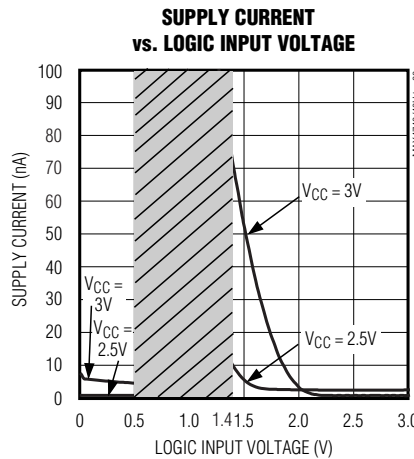
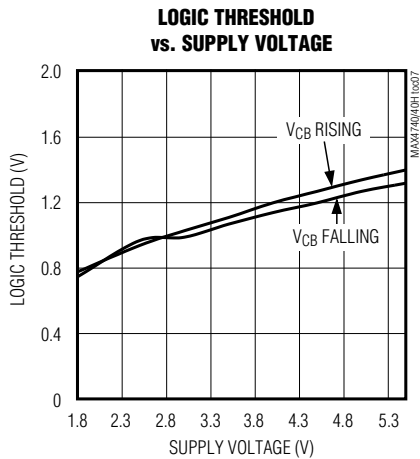
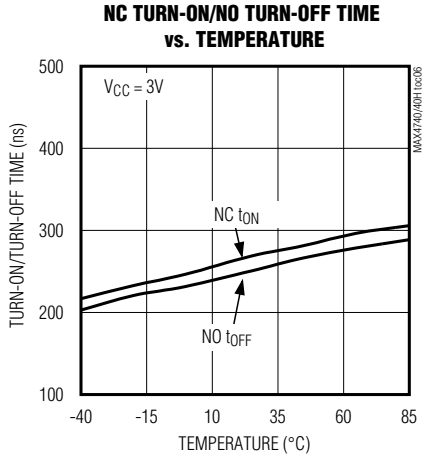
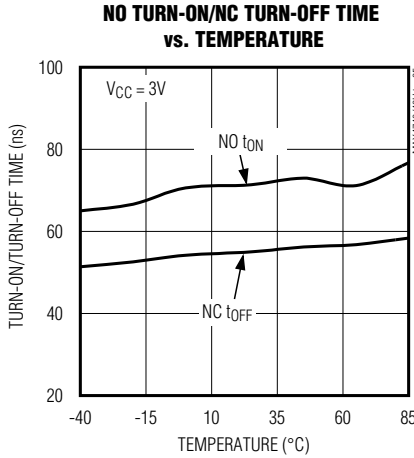
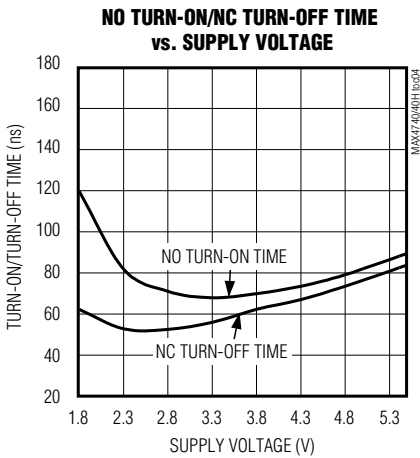
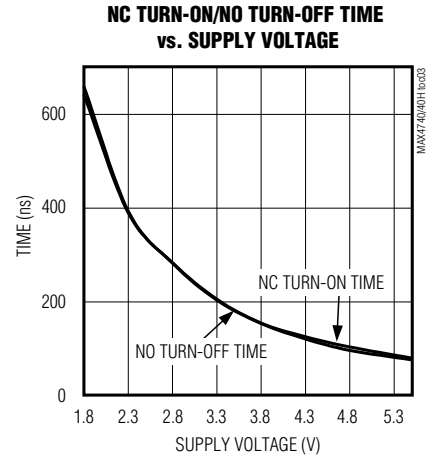
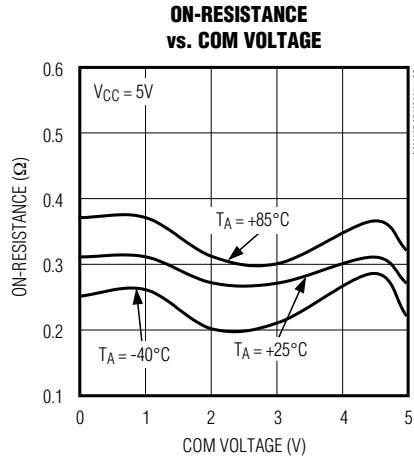
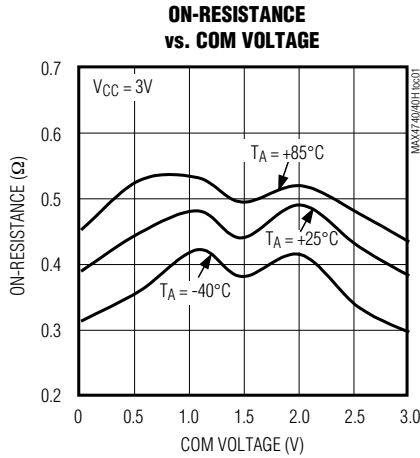
**Note 4:** Flatness is defined as the difference between the maximum and minimum value of on-resistance as measured over the specified analog signal ranges.

**Note 5:** Off-isolation =  $20\log_{10} [V_{COM_+} / V_{NO_+}]$ ,  $V_{COM_+}$  = output,  $V_{NO_+}$  = input to off switch.

# Quad SPDT Audio Switches

## Typical Operating Characteristics

( $V_{CC} = 3.3V$ ,  $T_A = +25^\circ C$ , unless otherwise noted)

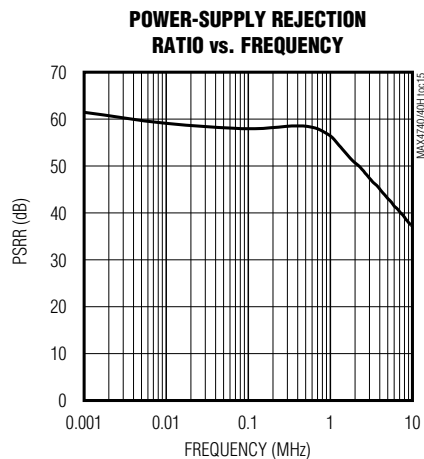
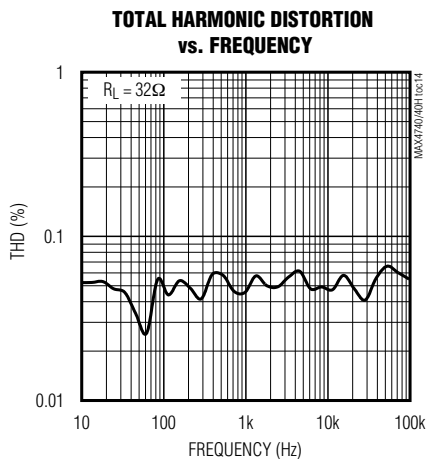
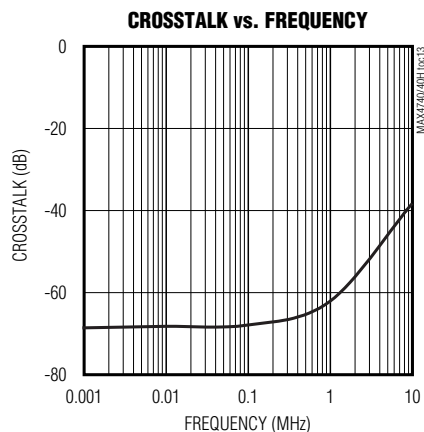
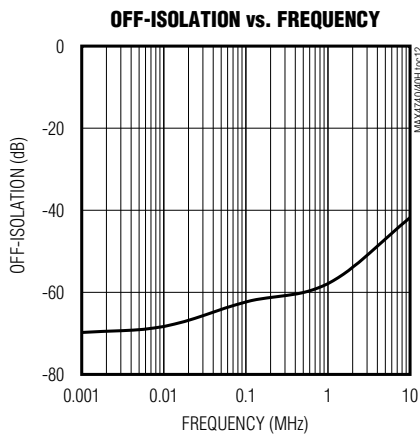
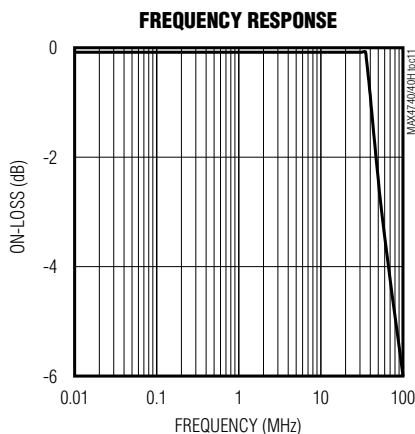
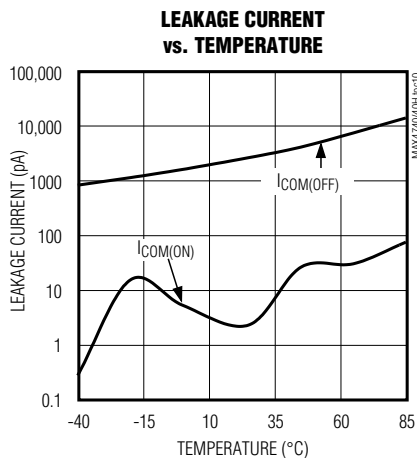


# Quad SPDT Audio Switches

MAX4740/MAX4740H

## Typical Operating Characteristics (continued)

( $V_{CC} = 3.3V$ ,  $T_A = +25^\circ C$ , unless otherwise noted)



# Quad SPDT Audio Switches

## Pin Description

PIN	NAME	FUNCTION
1	NC1	Analog Switch 1—Normally Closed Terminal
2	CB1	Digital Control Input for Analog Switch 1 and Analog Switch 2
3	NO2	Analog Switch 2—Normally Open Terminal
4	COM2	Analog Switch 2—Common Terminal
5	NC2	Analog Switch 2—Normally Closed Terminal
6	GND	Ground
7	NO3	Analog Switch 3—Normally Open Terminal
8	COM3	Analog Switch 3—Common Terminal
9	NC3	Analog Switch 3—Normally Closed Terminal
10	CB2	Digital Control Input for Analog Switch 3 and Analog Switch 4
11	NO4	Analog Switch 4—Normally Open Terminal
12	COM4	Analog Switch 4—Common Terminal
13	NC4	Analog Switch 4—Normally Closed Terminal
14	VCC	Positive Supply Voltage
15	NO1	Analog Switch 1—Normally Open Terminal
16	COM1	Analog Switch 1—Common Terminal
EP	EP	Exposed Pad. Connect to GND or leave unconnected for normal operation.

### Detailed Description

The MAX4740/MAX4740H quad SPDT audio switches are low on-resistance, low supply current, high power-supply rejection ratio (PSRR) devices that operate from a +1.6V to +5.5V single supply. The MAX4740/MAX4740H have two digital control inputs, CB1 and CB2, where each bit controls a pair of switches (see Tables 1 and 2).

### Applications Information

The MAX4740/MAX4740H logic inputs accept up to +5.5V, regardless of supply voltage. For example with a +3.3V supply, CB1 and CB2 can be driven low to GND and high to +5.5V, allowing for mixed logic levels in a system. Driving CB1 and CB2 rail-to-rail minimizes power consumption. For a 3.3V supply voltage, the logic thresholds are +0.5V (low) and +1.6V (high).

### Analog Signal Levels

Analog signals that range over the entire supply voltage range (VCC to GND) can be passed with very little change in on-resistance (see the *Typical Operating Characteristics*). The switches are bidirectional, so the NO\_, NC\_, and COM\_ terminals can be used as either inputs or outputs.

Table 1. MAX4740 Truth Table

CONTROL		SWITCH STATE	
CB2	CB1	Switch 3/4	Switch 1/2
0	0	COM = NC	COM = NC
0	1	COM = NC	COM = NO
1	0	COM = NO	COM = NC
1	1	COM = NO	COM = NO

Table 2. MAX4740H Truth Table

CONTROL		SWITCH STATE	
CB2	CB1	Switch 3/4	Switch 1/2
0	0	COM = NC	COM = NC
0	1	High-Z	High-Z
1	0	COM = NO	COM = NC
1	1	COM = NO	COM = NO

# Quad SPDT Audio Switches

MAX4740/MAX4740H

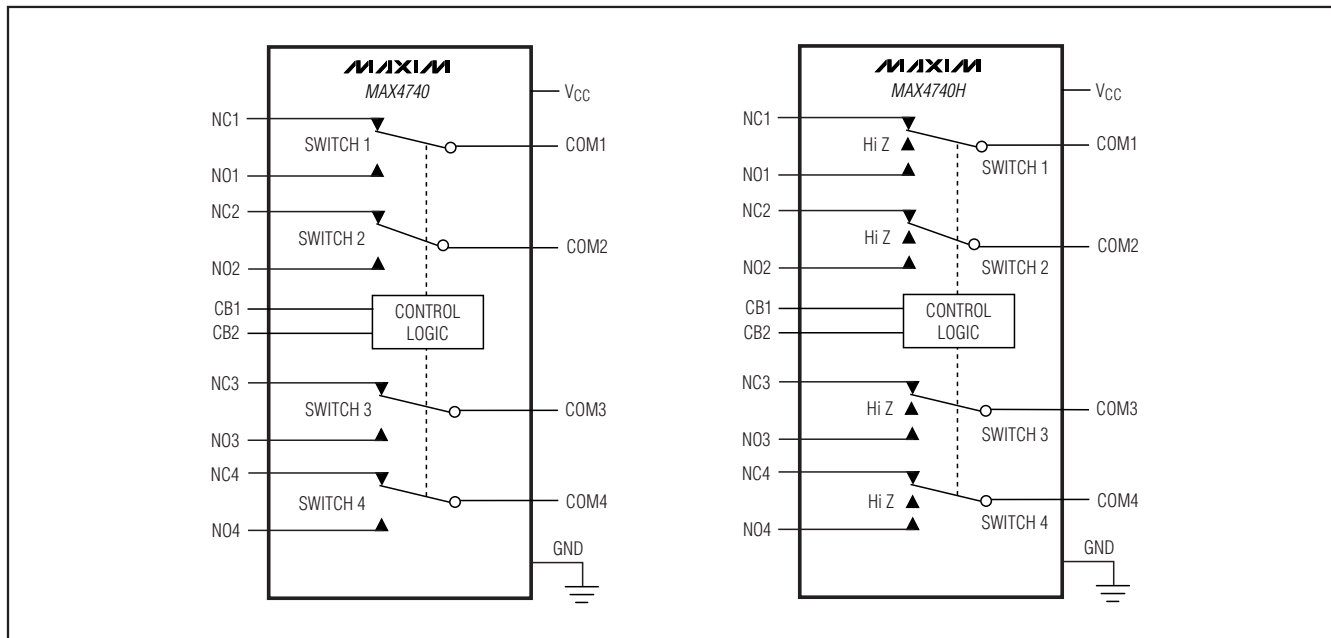


Figure 1. Functional Diagram

## Test Circuits/Timing Diagrams

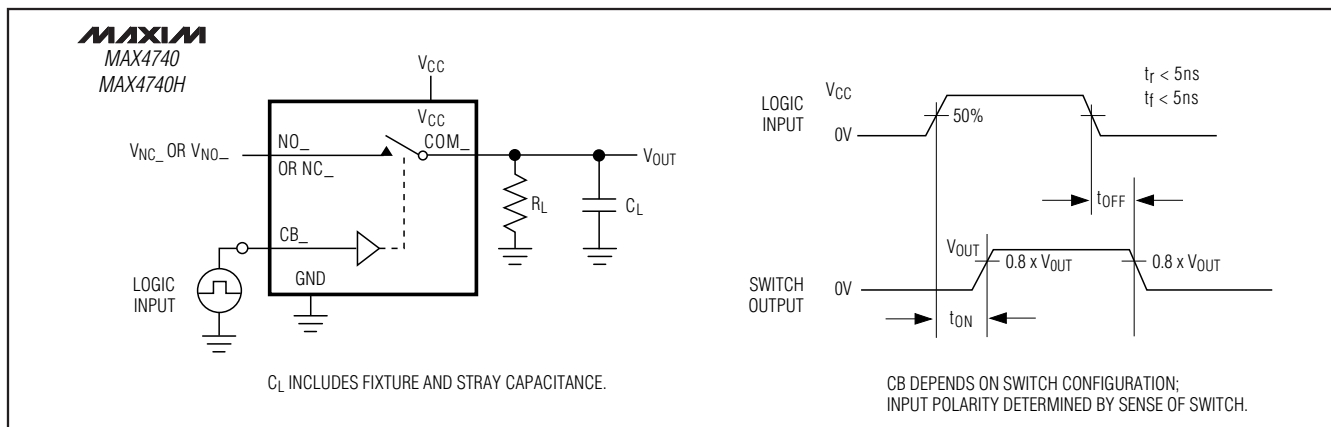


Figure 2. Switching Time

### Power-Supply Sequencing and Overvoltage Protection

**Caution: Do not exceed the Absolute Maximum Ratings since stresses beyond the listed ratings may cause permanent damage to the device.**

Proper power-supply sequencing is recommended for all CMOS devices. Improper supply sequencing can force the switch into latch-up, causing it to draw excessive supply current. The only way out of latch-up is to

recycle the power and reapply properly. Connect all ground pins first, then apply power to  $V_{CC}$ , and finally apply signals to  $NO_{-}$ ,  $NC_{-}$ , and  $COM_{-}$ . Follow the reverse order upon power-down.

### Chip Information

PROCESS: BICMOS

# Quad SPDT Audio Switches

## Test Circuits/Timing Diagrams (continued)

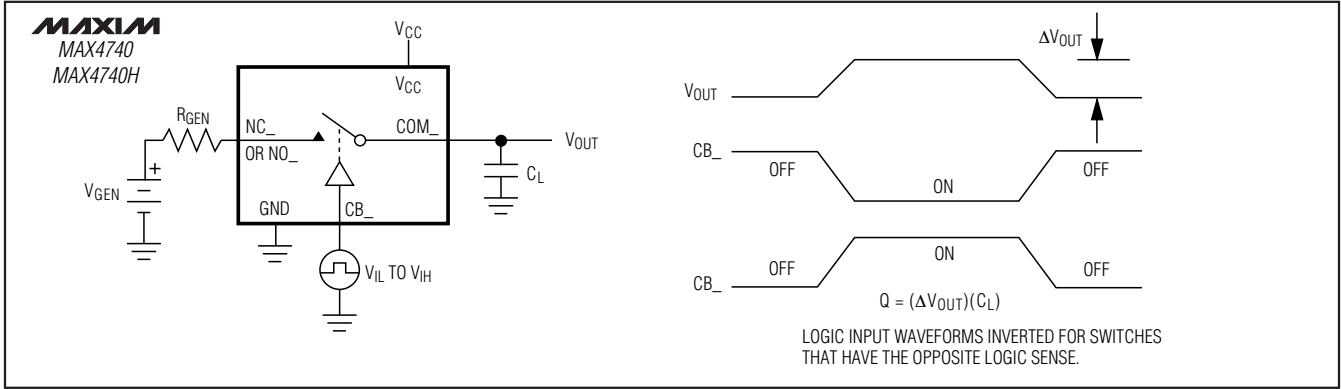


Figure 3. Charge injection

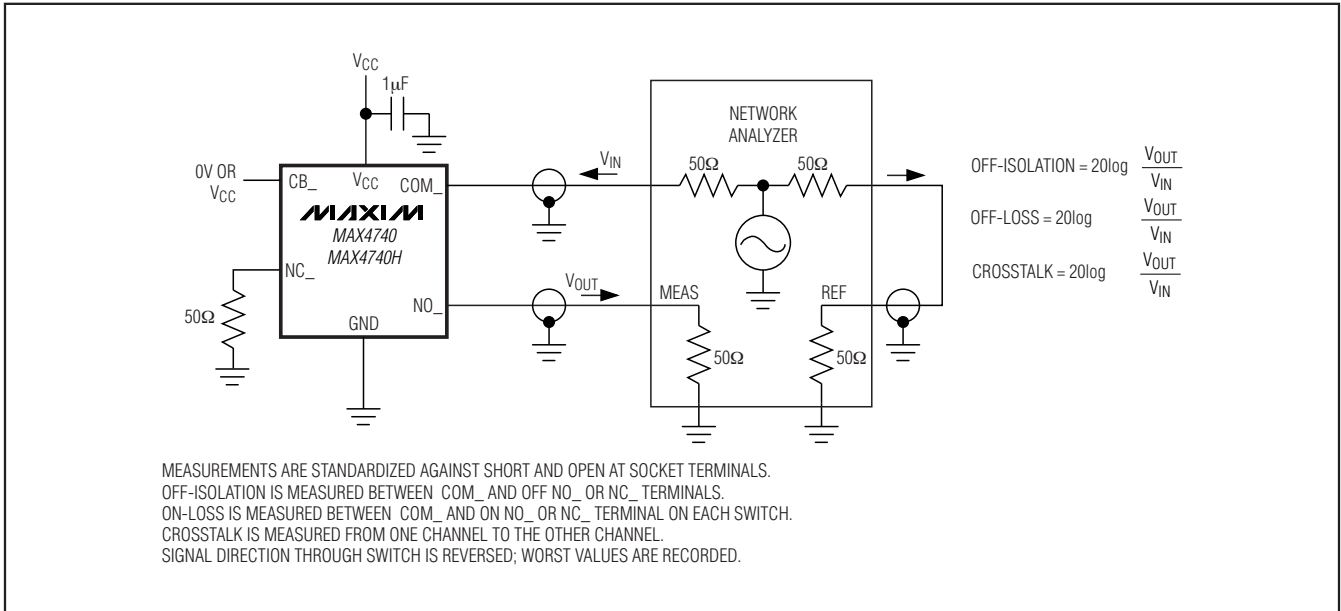


Figure 4. Off-Isolation, On-Loss, and Crosstalk



# Quad SPDT Audio Switches

MAX4740/MAX4740H

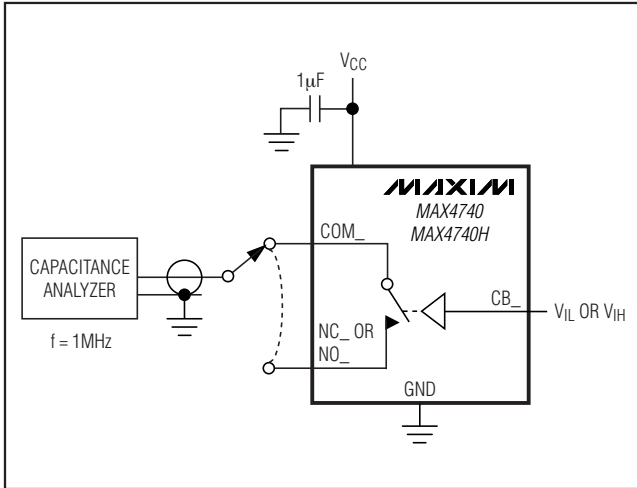
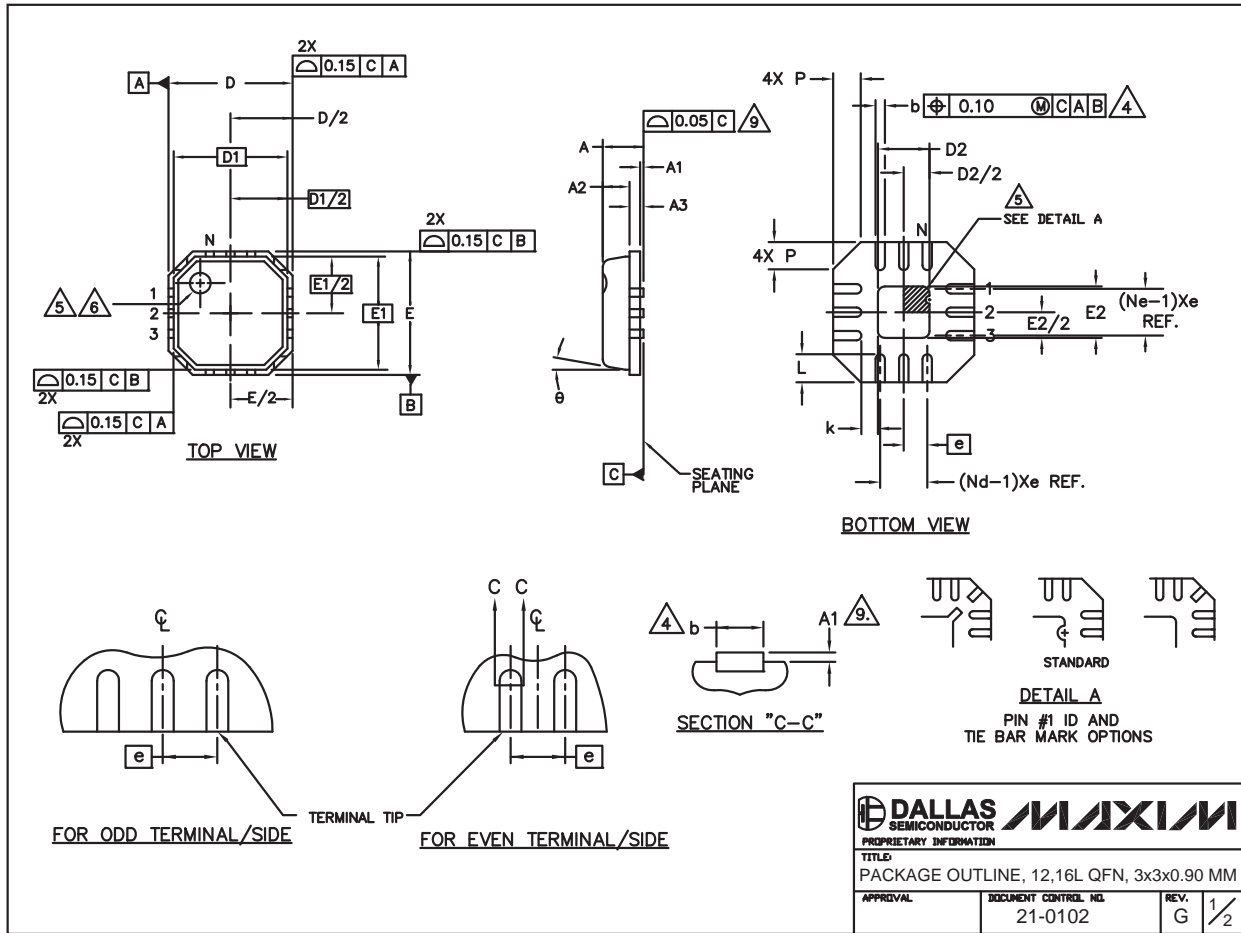


Figure 5. Channel Off/On-Capacitance

# Quad SPDT Audio Switches

## Package Information

(The package drawing(s) in this data sheet may not reflect the most current specifications. For the latest package outline information, go to [www.maxim-ic.com/packages](http://www.maxim-ic.com/packages).)



12, 16L QFN EPS

PROPRIETARY INFORMATION		
TITLE: PACKAGE OUTLINE, 12,16L QFN, 3x3x0.90 MM		
APPROVAL	DOCUMENT CONTROL NO. 21-0102	REV. G 1/2

# Quad SPDT Audio Switches

## Package Information (continued)

(The package drawing(s) in this data sheet may not reflect the most current specifications. For the latest package outline information, go to [www.maxim-ic.com/packages](http://www.maxim-ic.com/packages).)


MAX4740/MAX4740H

COMMON DIMENSIONS						
PKG	12L 3x3			16L 3x3		
SYMBOL	MIN.	NOM.	MAX.	MIN.	NOM.	MAX.
A	0.80	0.90	1.00	0.80	0.90	1.00
A1	0.00	0.01	0.05	0.00	0.01	0.05
A2	0.00	0.65	1.00	0.00	0.65	1.00
A3	0.20 REF			0.20 REF		
b	0.18	0.23	0.30	0.18	0.23	0.30
D	2.90	3.00	3.10	2.90	3.00	3.10
D1	2.75 BSC			2.75 BSC		
E	2.90	3.00	3.10	2.90	3.00	3.10
E1	2.75 BSC			2.75 BSC		
e	0.50 BSC			0.50 BSC		
k	0.25	–	–	0.25	–	–
L	0.35	0.55	0.75	0.30	0.40	0.50
N	12			16		
ND	3			4		
NE	3			4		
P	0.00	0.42	0.60	0.00	0.42	0.60
θ	0°		12°	0°		12°

EXPOSED PAD VARIATIONS						
PKG. CODES	D2			E2		
	MIN.	NOM.	MAX.	MIN.	NOM.	MAX.
G1233-1	0.95	1.10	1.25	0.95	1.10	1.25
G1633-2	0.95	1.10	1.25	0.95	1.10	1.25

### NOTES:

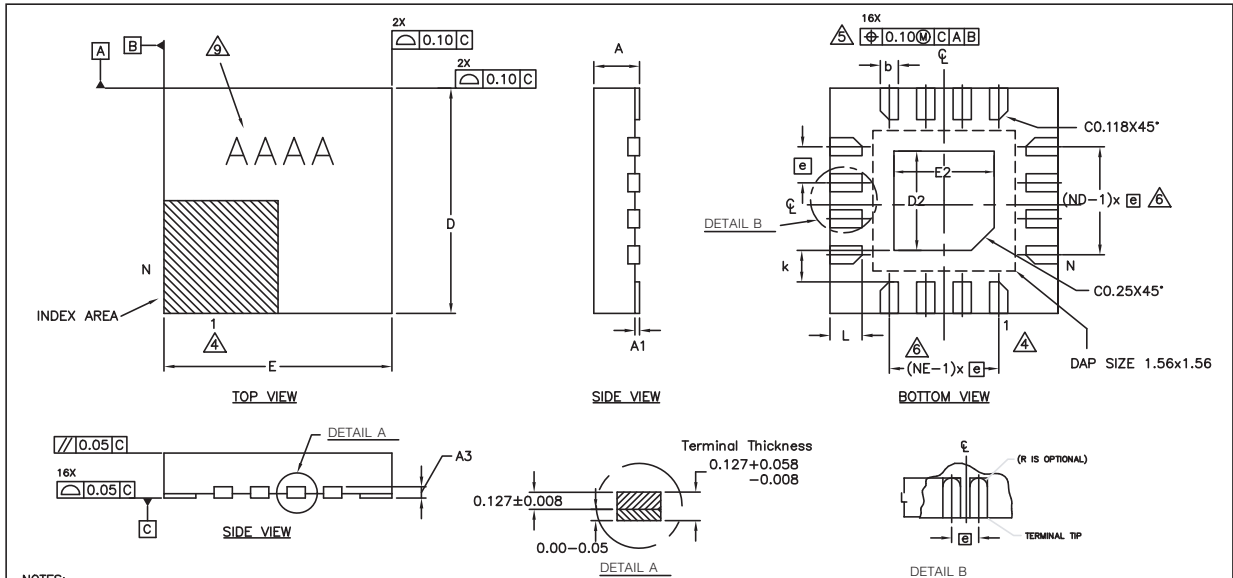
1. DIE THICKNESS ALLOWABLE IS 0.305mm MAXIMUM (.012 INCHES MAXIMUM).
2. DIMENSIONING & TOLERANCES CONFORM TO ASME Y14.5M. – 1994.
3. N IS THE NUMBER OF TERMINALS.  
Nd IS THE NUMBER OF TERMINALS IN X-DIRECTION &  
Ne IS THE NUMBER OF TERMINALS IN Y-DIRECTION.
4. DIMENSION b APPLIES TO PLATED TERMINAL AND IS MEASURED BETWEEN 0.20 AND 0.25mm FROM TERMINAL TIP.
5. THE PIN #1 IDENTIFIER MUST EXIST ON THE TOP SURFACE OF THE PACKAGE BY USING INDENTATION MARK OR INK/LASER MARKED. DETAILS OF PIN #1 IDENTIFIER IS OPTIONAL, BUT MUST BE LOCATED WITHIN ZONE INDICATED.
6. EXACT SHAPE AND SIZE OF THIS FEATURE IS OPTIONAL.
7. ALL DIMENSIONS ARE IN MILLIMETERS.
8. PACKAGE WARPAGE MAX 0.05mm.
9. APPLIED FOR EXPOSED PAD AND TERMINALS. EXCLUDE EMBEDDING PART OF EXPOSED PAD FROM MEASURING.
10. MEETS JEDEC MO220.
11. THIS PACKAGE OUTLINE APPLIES TO ANVIL SINGULATION (STEPPED SIDES).

 <b>DALLAS</b> SEMICONDUCTOR					
PROPRIETARY INFORMATION					
TITLE PACKAGE OUTLINE, 12,16L QFN, 3x3x0.90 MM					
APPROVAL	DOCUMENT CONTROL NO.	REV.			
	21-0102	G	1/2		

# Quad SPDT Audio Switches

## Package Information (continued)

(The package drawing(s) in this data sheet may not reflect the most current specifications. For the latest package outline information, go to [www.maxim-ic.com/packages](http://www.maxim-ic.com/packages).)



- NOTES:
1. DIMENSIONING & TOLERANCING CONFORM TO ASME Y14.5M-1994.
  2. ALL DIMENSIONS ARE IN MILLIMETERS. ANGLES ARE IN DEGREES.
  3. N IS THE TOTAL NUMBER OF TERMINALS.
  4. THE TERMINAL #1 IDENTIFIER AND TERMINAL NUMBERING CONVENTION SHALL CONFORM TO JESD 95-1 SPP-012. DETAILS OF TERMINAL #1 IDENTIFIER ARE OPTIONAL, BUT MUST BE LOCATED WITHIN THE ZONE INDICATED. THE TERMINAL #1 IDENTIFIER MAY BE EITHER A MOLD OR MARKED FEATURE.
  5. DIMENSION b APPLIES TO METALLIZED TERMINAL AND IS MEASURED BETWEEN 0.15mm AND 0.25mm FROM TERMINAL TIP.
  6. ND AND NE REFER TO THE NUMBER OF TERMINALS ON EACH D AND E SIDE RESPECTIVELY.
  7. REFER TO JEDEC MO-248 AND MO-236 (DIMENSION 'A' ONLY).
  8. WARPAGE SHALL NOT EXCEED 0.10mm.
  9. MARKING IS PACKAGE ORIENTATION PURPOSE ONLY.
  10. ALL DIMENSIONS APPLY TO BOTH LEADED (-) AND PbFREE (+) PKG. CODES.

-DRAWING NOT TO SCALE-

PKG	16L 2.5x2.5			N D T E
REF.	MIN.	NDM.	MAX.	
A	0.45	0.50	0.55	
A1	0	-	0.05	
A3		0.127	REF	
b	0.15	0.20	0.25	
D	2.40	2.50	2.60	
E	2.40	2.50	2.60	
e	0.40 BSC.			
K	0.25	---	---	
L	0.30	0.35	0.40	
N	16			
ND	4			
NE	4			

PKG CODE	EXPOSED PAD VARIATION					
	D2			E2		
	MIN.	NDM.	MAX.	MIN.	NDM.	MAX.
V162A2-1	1.00	1.10	1.20	1.00	1.10	1.20

**MAXIM**

TITLE:  
PACKAGE OUTLINE, 16L,  
ULTRA THIN QFN, 2.5x2.5x0.55mm

APPROVAL	DOCUMENT CONTROL NO. 21-0194	REV. B	1/1
----------	---------------------------------	-----------	-----

ULTRA THIN QFN EPS

# Quad SPDT Audio Switches

## Revision History

REVISION NUMBER	REVISION DATE	DESCRIPTION	PAGES CHANGED
0	5/06	Initial release	—
1	11/07	Adding ultra-thin QFN package	1, 2, 3, 10–13

**MAX4740/MAX4740H**

Maxim cannot assume responsibility for use of any circuitry other than circuitry entirely embodied in a Maxim product. No circuit patent licenses are implied. Maxim reserves the right to change the circuitry and specifications without notice at any time.

Maxim Integrated Products, 120 San Gabriel Drive, Sunnyvale, CA 94086 408-737-7600 \_\_\_\_\_ 13

# Mouser Electronics

Authorized Distributor

Click to View Pricing, Inventory, Delivery & Lifecycle Information:

[Maxim Integrated:](#)

[MAX4740ETE+](#) [MAX4740ETE+T](#) [MAX4740HETE+](#) [MAX4740HETE+T](#)