



# PIC24FJXXXDA1/DA2/GB2/GA3

## PIC24FJXXXDA1/DA2/GB2/GA3 Families Flash Programming Specification

### 1.0 DEVICE OVERVIEW

This document defines the programming specification for the PIC24FJXXXDA1/DA2/GB2/GA3 families of 16-bit microcontrollers (MCUs). This programming specification is required only for those developing programming support for the PIC24FJXXXDA1/DA2/GB2/GA3 families. Customers using only one of these devices should use development tools that already provide support for device programming.

This specification includes programming specifications for the following devices:

- PIC24FJ128DA106
- PIC24FJ128DA110
- PIC24FJ128DA206
- PIC24FJ128DA210
- PIC24FJ128GB206
- PIC24FJ128GB210
- PIC24FJ64GA310
- PIC24FJ64GA308
- PIC24FJ64GA306
- PIC24FJ256DA106
- PIC24FJ256DA110
- PIC24FJ256DA206
- PIC24FJ256DA210
- PIC24FJ256GB206
- PIC24FJ256GB210
- PIC24FJ128GA310
- PIC24FJ128GA308
- PIC24FJ128GA306

#### Topics covered include:

1.0 Device Overview .....	1
2.0 Programming Overview of the PIC24FJXXXDA1/DA2/GB2/GA3 Families .....	1
3.0 Device Programming – ICSP .....	14
4.0 Device Programming – Enhanced ICSP .....	29
5.0 The Programming Executive .....	42
6.0 Device Details .....	54
7.0 AC/DC Characteristics and Timing Requirements .....	56

### 2.0 PROGRAMMING OVERVIEW OF THE PIC24FJXXXDA1/DA2/GB2/GA3 FAMILIES

There are two methods of programming the PIC24FJXXXDA1/DA2/GB2/GA3 families of devices discussed in this programming specification. They are:

- In-Circuit Serial Programming™ (ICSP™)
- Enhanced In-Circuit Serial Programming (Enhanced ICSP)

The ICSP programming method is the most direct method to program the device; however, it is also the slower of the two methods. It provides native, low-level programming capability to erase, program and verify the chip.

- Note 1:** The address of Special Function Register, 'TBLPAG', has changed from 0x32 to 0x54 in the PIC24FJXXXDA1/DA2/GB2/GA3 family.
- 2:** In the cases where legacy programming specification code from other device families is used as a basis to implement the PIC24FJXXXDA1/DA2/GB2/GA3 family programming specification, special care must be taken to ensure all references to 'TBLPAG' in any existing code are updated with the correct opcode hex data for the mnemonic and operands (as shown below).

#### PIC24FJXXXDA1/DA2/GB2/GA3 Family

Command (Binary)	Data (Hex)	Description
0000	8802A0	MOV W0, TBLPAG

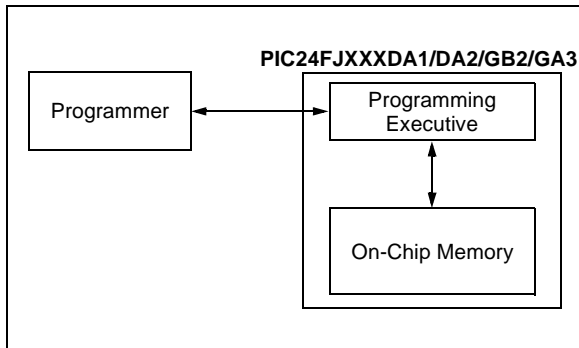
#### Non PIC24FJXXXDA1/DA2/GB2/GA3 Family

Command (Binary)	Data (Hex)	Description
0000	880190	MOV W0, TBLPAG

# PIC24FJXXXDA1/DA2/GB2/GA3

The Enhanced In-Circuit Serial Programming (Enhanced ICSP) protocol uses a faster method that takes advantage of the programming executive, as illustrated in [Figure 2-1](#). The programming executive provides all the necessary functionality to erase, program and verify the chip through a small command set. The command set allows the programmer to program the PIC24FJXXXDA1/DA2/GB2/GA3 MCUs without having to deal with the low-level programming protocols of the chip.

**FIGURE 2-1: PROGRAMMING SYSTEM OVERVIEW FOR ENHANCED ICSP™**



This specification is divided into major sections that describe the programming methods independently. [Section 3.0 “Device Programming – ICSP”](#) describes the In-Circuit Serial Programming method. [Section 4.0 “Device Programming – Enhanced ICSP”](#) describes the Run-Time Self-Programming (RTSP) method.

## 2.1 Power Requirements

All PIC24FJXXXDA1/DA2/GB2/GA3 devices power their core digital logic at a nominal 1.8V. To simplify system design, all devices in the PIC24FJXXXDA1/DA2/GB2/GA3 families incorporate an on-chip regulator that allows the device to run its core logic from VDD. For the PIC24F128GA310 family, the regulator is always enabled, so there is no ENVREG pin on the device.

The regulator provides power to the core from the other VDD pins. A low-ESR capacitor (such as ceramic or tantalum) must be connected to the VCAP pin (see [Table 2-1](#) and [Figure 2-2](#)). This helps to maintain the stability of the regulator. The specifications for core voltage and capacitance are listed in [Section 7.0 “AC/DC Characteristics and Timing Requirements”](#).

## 2.2 Program Memory Write/Erase Requirements

The Flash program memory on PIC24FJXXXDA1/DA2/GB2/GA3 devices has a specific write/erase requirement that must be adhered to for proper device operation. Any given word in memory must not be written more than twice before erasing the page where it is located. Thus, the easiest way to conform to this rule is to write all of the data in a programming block within one write cycle. The programming methods specified in this specification comply with this requirement.

**Note:** Writing to a location multiple times without erasing is *not* recommended.

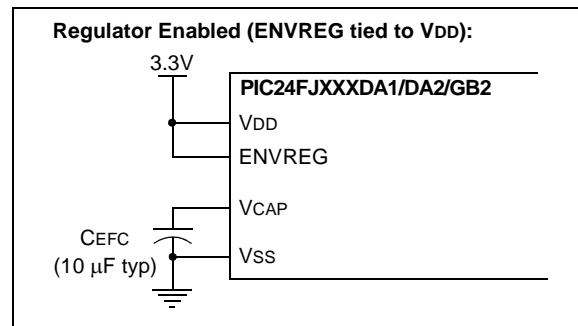
## 2.3 Pin Diagrams

[Figure 2-4](#) through [Figure 2-10](#) provide the pin diagrams for the PIC24FJXXXDA1/DA2/GB2/GA3 families. The pins that are required for programming are listed in [Table 2-1](#) and are indicated in bold text in the figures. Refer to the appropriate device data sheet for complete pin descriptions.

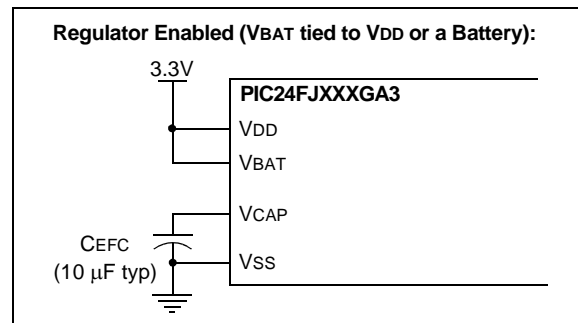
### 2.3.1 PGECx AND PGEDx PIN PAIRS

All of the devices in the PIC24FJXXXDA1/DA2/GB2/GA3 families have three separate pairs of programming pins, labelled as PGEC1/PGED1, PGEC2/PGED2 and PGEC3/PGED3. Any one of these pin pairs may be used for device programming by either ICSP or Enhanced ICSP. Unlike voltage supply and ground pins, it is not necessary to connect all three pin pairs to program the device. However, the programming method must use both pins of the same pair.

**FIGURE 2-2: CONNECTIONS FOR THE ON-CHIP REGULATOR**



**FIGURE 2-3: CONNECTIONS FOR THE VBAT PIN**



# PIC24FJXXXDA1/DA2/GB2/GA3

**TABLE 2-1: PIN DESCRIPTIONS (DURING PROGRAMMING)**

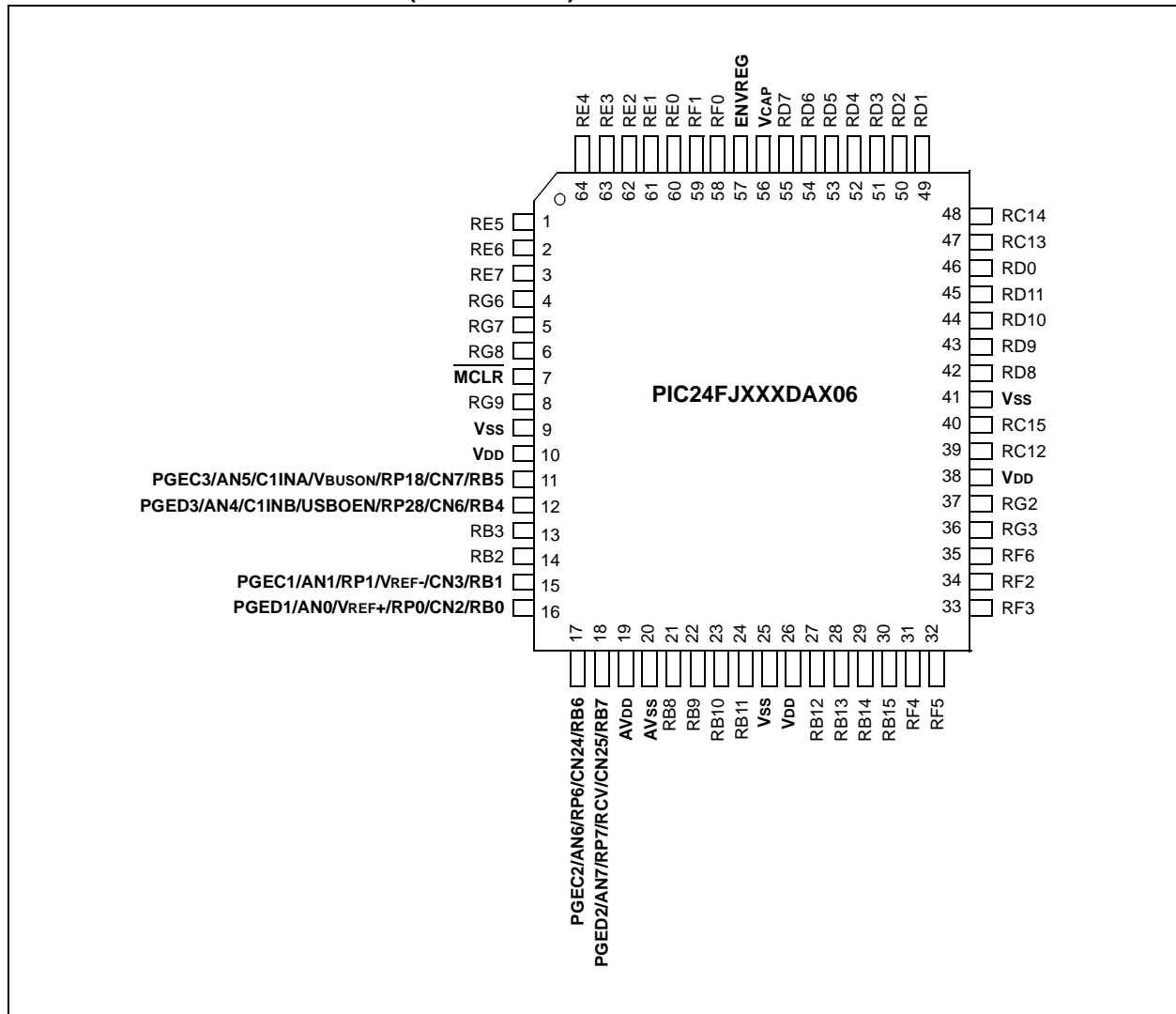
Pin Name	During Programming		
	Pin Name	Pin Type	Pin Description
$\overline{\text{MCLR}}$	$\overline{\text{MCLR}}$	P	Programming Enable
ENVREG <sup>(2)</sup>	ENVREG <sup>(2)</sup>	I	Enable for On-Chip Voltage Regulator
VDD and AVDD <sup>(1)</sup>	VDD	P	Power Supply
VSS and AVSS <sup>(1)</sup>	VSS	P	Ground
VCAP	VCAP	P	On-Chip Voltage Regulator Output to the Core
PGECx	PGECx	I	Programming Pin Pairs 1, 2 and 3: Serial Clock
PGEDx	PGEDx	I/O	Programming Pin Pairs 1, 2 and 3: Serial Data

**Legend:** I = Input, O = Output, P = Power

**Note 1:** All power supply and ground pins must be connected, including analog supplies (AVDD) and ground (AVSS).

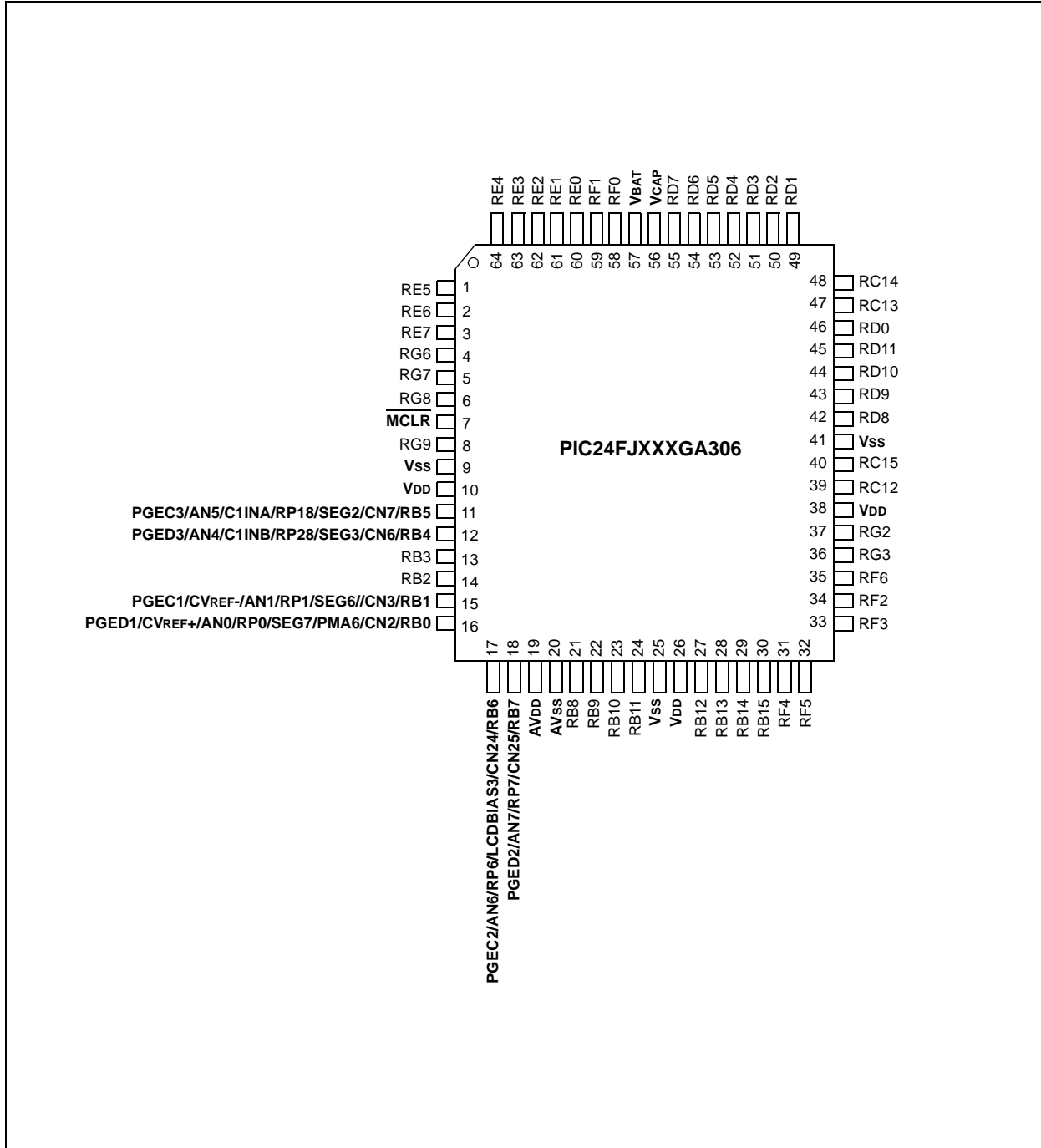
**2:** There is no ENVREG pin in the GA310 family. The regulator is always enabled and the ENVREG pin is replaced by the VBAT pin. It is recommended to connect the VBAT pin to the battery or VDD during programming.

**FIGURE 2-4: PIN DIAGRAM (64-PIN TQFP)**



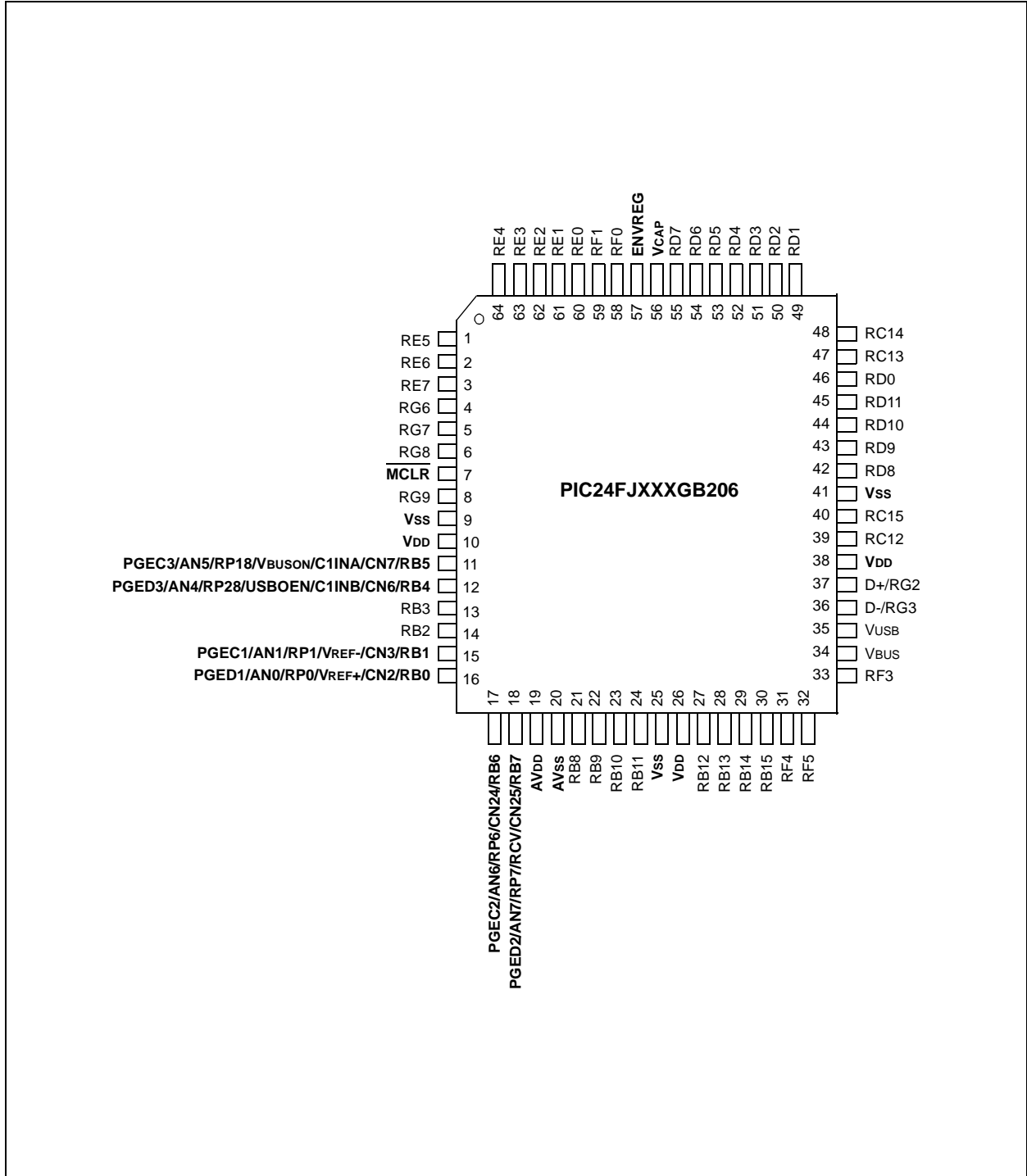
# PIC24FJXXXDA1/DA2/GB2/GA3

FIGURE 2-5: PIN DIAGRAM (64-PIN)



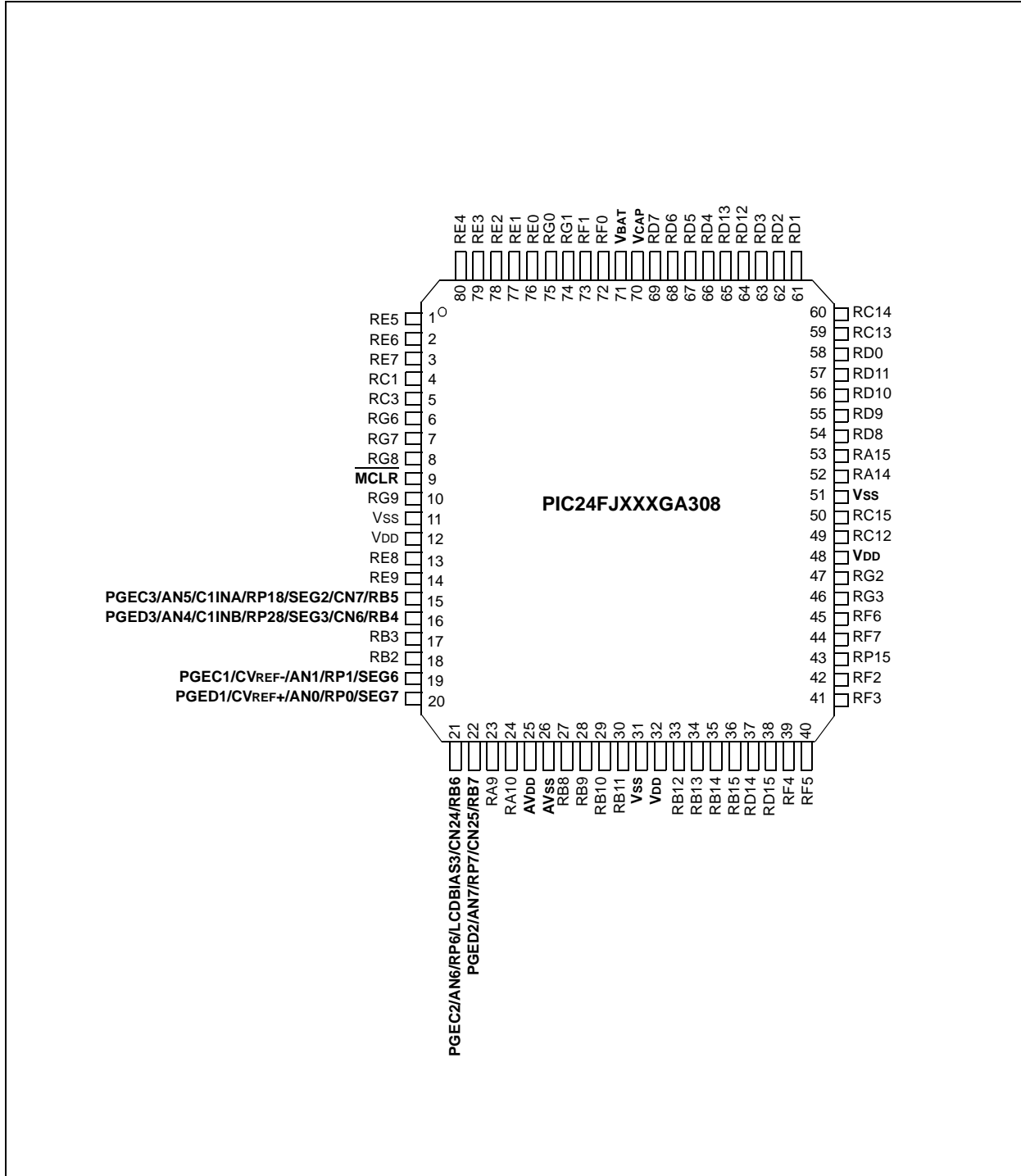
# PIC24FJXXXDA1/DA2/GB2/GA3

FIGURE 2-6: PIN DIAGRAM (64-PIN TQFP)



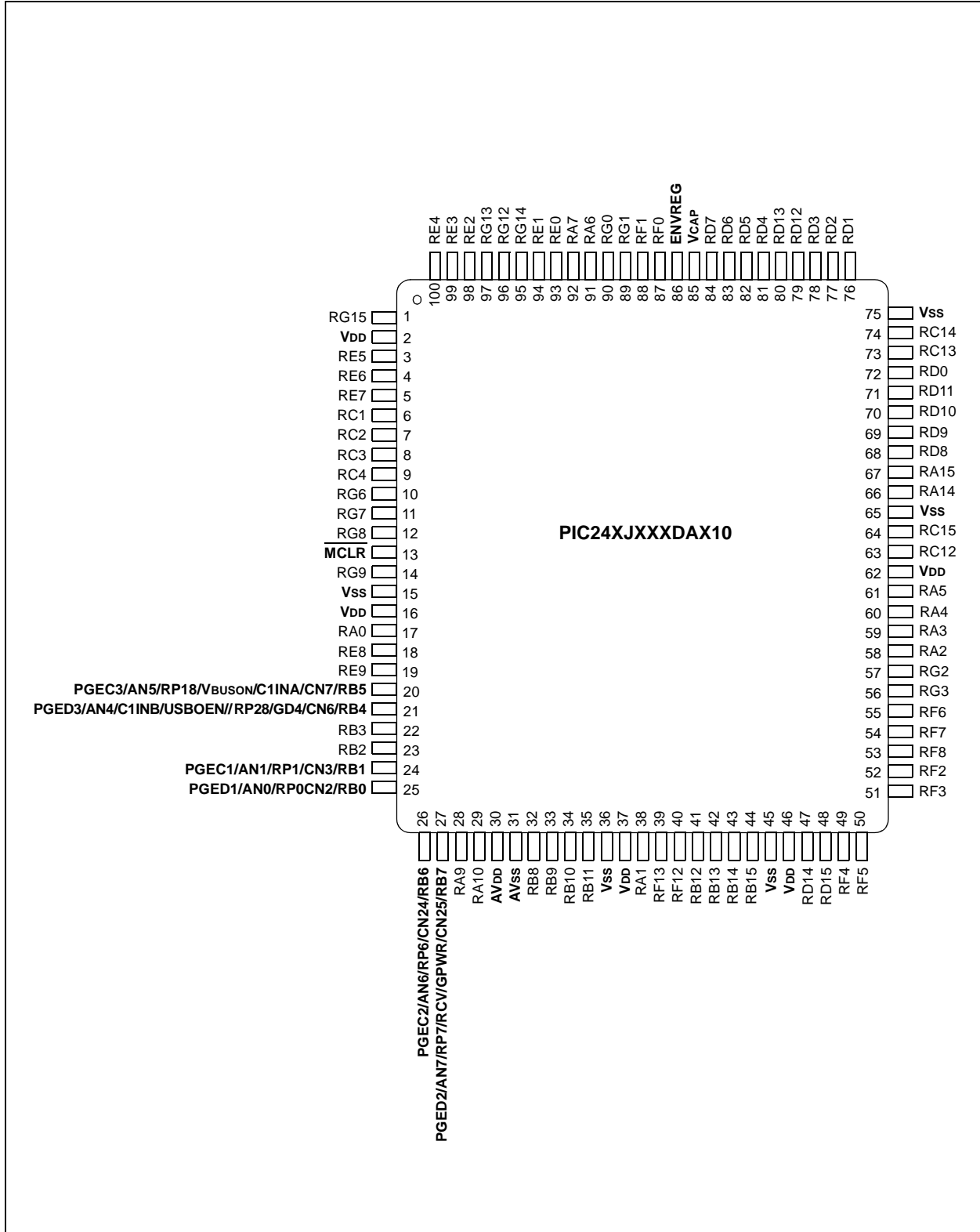
# PIC24FJXXDA1/DA2/GB2/GA3

FIGURE 2-7: PIN DIAGRAM (80-PIN TQFP)



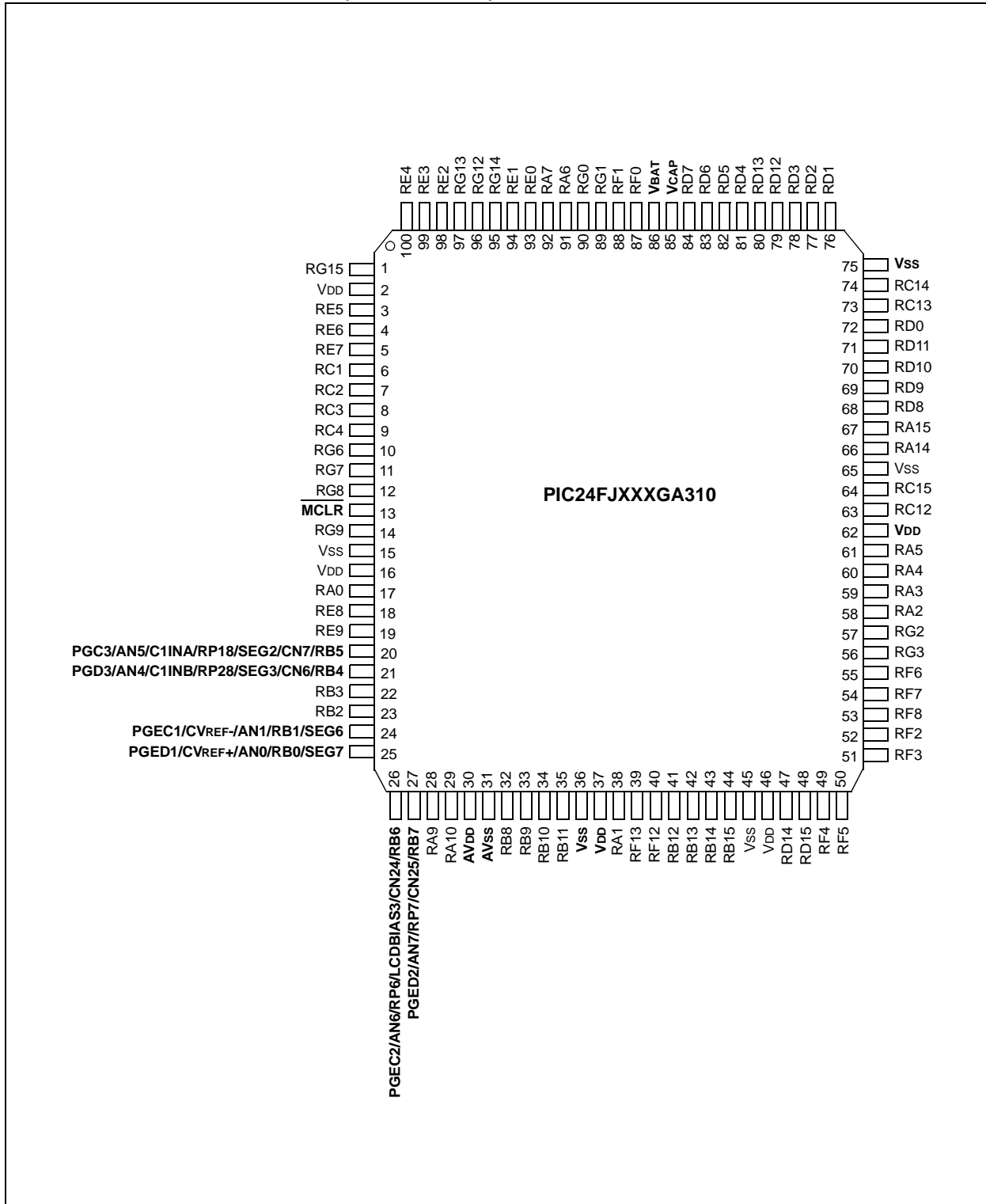
# PIC24FJXXXDA1/DA2/GB2/GA3

FIGURE 2-8: PIN DIAGRAM (100-PIN TQFP)



# PIC24FJXXXDA1/DA2/GB2/GA3

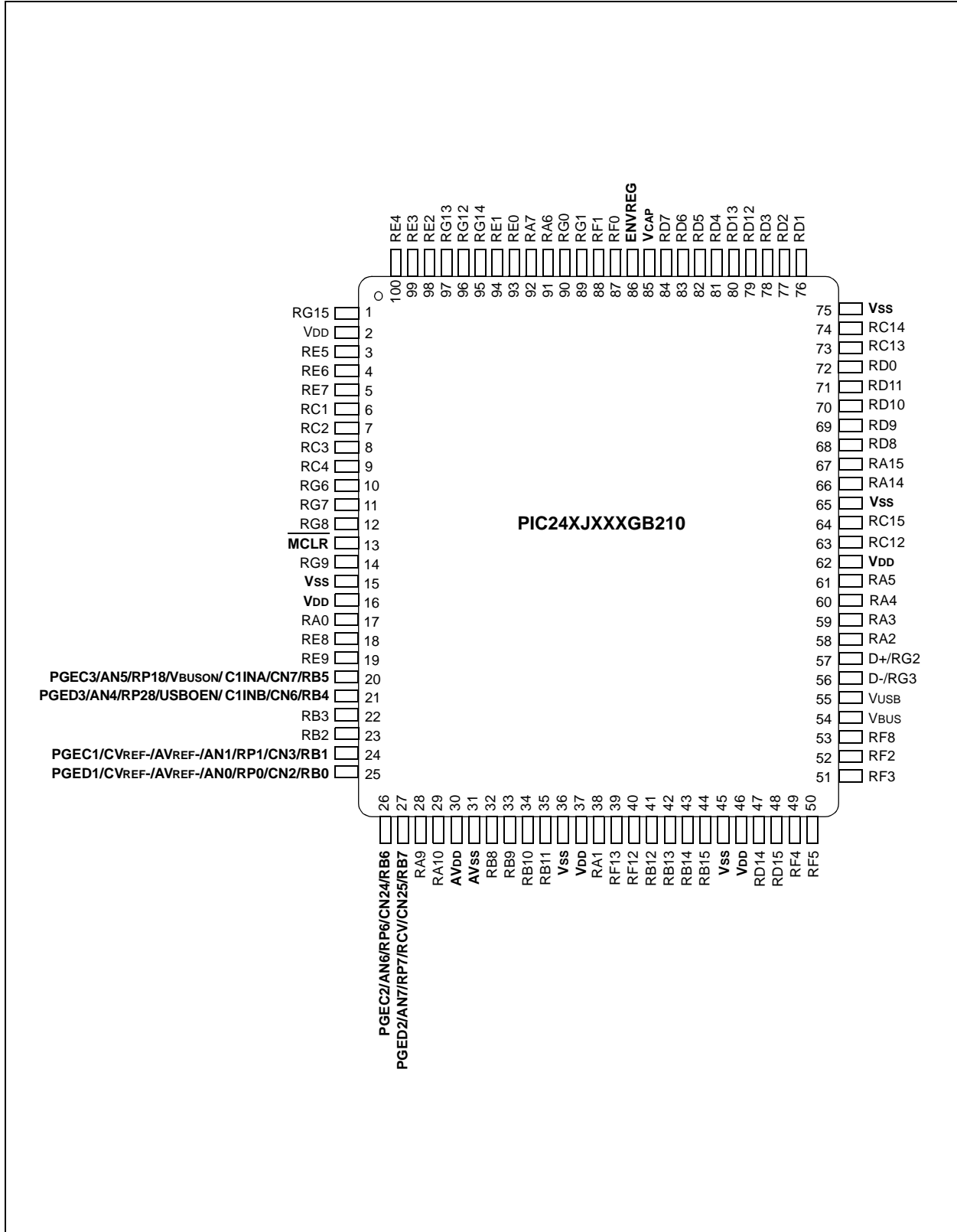
FIGURE 2-9: PIN DIAGRAM (100-PIN TQFP)





# PIC24FJXXDA1/DA2/GB2/GA3

FIGURE 2-10: PIN DIAGRAM (100-PIN TQFP)



# PIC24FJXXXDA1/DA2/GB2/GA3

FIGURE 2-11: PIC24FJXXXDAX10 121-PIN BGA PINOUT DIAGRAM

	1	2	3	4	5	6	7	8	9	10	11
A	○ RE4	○ RE3	○ RG13	○ RE0	○ RG0	○ RF1	○ ENVREG	○ N/C	○ RD12	○ RD2	○ RD1
B	○ N/C	○ RG15	○ RE2	○ RE1	○ RA7	○ RF0	○ Vcap	○ RD5	○ RD3	○ Vss	○ RC14
C	○ RE6	○ VDD	○ RG12	○ RG14	○ RA6	○ N/C	○ RD7	○ RD4	○ VDD	○ RC13	○ RD11
D	○ RC1	○ RE7	○ RE5	○ Vss	○ Vss	○ N/C	○ RD6	○ RD13	○ RD0	○ N/C	○ RD10
E	○ RC4	○ RC3	○ RG6	○ RC2	○ VDD	○ RG1	○ N/C	○ RA15	○ RD8	○ RD9	○ RA14
F	○ MCLR	○ RG8	○ RG9	○ RG7	○ Vss	○ N/C	○ N/C	○ VDD	○ RC12	○ Vss	○ RC15
G	○ RE8	○ RE9	○ RA0	○ N/C	○ VDD	○ Vss	○ Vss	○ N/C	○ RA5	○ RA3	○ RA4
H	○ PGEC3/ RB5	○ PGED3/ GD4/RB4	○ Vss PGED2/	○ VDD	○ N/C	○ VDD	○ N/C	○ RF7	○ Vusb	○ D+/RG2	○ RA2
J	○ RB3	○ RB2	○ RB7 GPWR/	○ AVDD	○ RB11	○ RA1	○ RB12	○ N/C	○ N/C	○ RF8	○ D-/RG3
K	○ PGEC1/ RB1	○ PGED1/ RB0	○ RA10	○ RB8	○ N/C	○ RF12	○ RB14	○ VDD	○ RD15	○ RF3	○ RF2
L	○ PGEC2/ RB6	○ RA9	○ AVss	○ RB9	○ RB10	○ RF13	○ RB13	○ RB15	○ RD14	○ RF4	○ RF5

FIGURE 2-12: PIC24FJXXXGBX10 121-PIN BGA PINOUT DIAGRAM

	1	2	3	4	5	6	7	8	9	10	11
A	○ RE4	○ RE3	○ RG13	○ RE0	○ RG0	○ RF1	○ ENVREG	○ N/C	○ RD12	○ RD2	○ GD1
B	○ N/C	○ RG15	○ RE2	○ RE1	○ RA7	○ RF0	○ Vcap	○ RD5	○ RD3	○ Vss	○ RC14
C	○ RE6	○ VDD	○ RG12	○ RG14	○ RA6	○ N/C	○ RD7	○ RD4	○ VDD	○ RC13	○ RD11
D	○ RC1	○ RE7	○ RE5	○ Vss	○ Vss	○ N/C	○ RD6	○ RD13	○ RD0	○ N/C	○ RD10
E	○ RC4	○ RC3	○ RG6	○ RC2	○ VDD	○ RG1	○ N/C	○ RA15	○ RD8	○ RD10	○ RA14
F	○ MCLR	○ RG8	○ RG9	○ RG7	○ Vss	○ N/C	○ N/C	○ VDD	○ RC12	○ Vss	○ RC15
G	○ RE8	○ RE9	○ RA0	○ N/C	○ VDD	○ Vss	○ Vss	○ N/C	○ RA5	○ RA3	○ RA4
H	○ PGEC3/ RB5	○ PGED3/ RB4	○ Vss	○ VDD	○ N/C	○ VDD	○ N/C	○ RF7	○ Vusb	○ D+/RG2	○ RA2
J	○ RB3	○ RB2	○ PGED2/RB7	○ AVDD	○ RB11	○ RA1	○ RB12	○ N/C	○ N/C	○ RF8	○ D-/RG3
K	○ PGEC1/ RB1	○ PGED1/ RB0	○ RA10	○ RB8	○ N/C	○ RF12	○ RB14	○ VDD	○ RD15	○ RF3	○ RF2
L	○ PGEC2/ RB6	○ RA9	○ AVss	○ RB9	○ RB10	○ RF13	○ RB13	○ RB15	○ RD14	○ RF4	○ RF5

# PIC24FJXXXDA1/DA2/GB2/GA3

FIGURE 2-13: PIC24FJXXXGA310 121-PIN BGA PINOUT DIAGRAM

	1	2	3	4	5	6	7	8	9	10	11
A	○ RE4	○ RE3	○ RG13	○ RE0	○ RG0	○ RF1	○ VBAT	○ N/C	○ RD12	○ RD2	○ RD1
B	○ N/C	○ RG15	○ RE2	○ RE1	○ RA7	○ RF0	○ VCAP/ VDDCORE	○ RD5	○ RD3	○ Vss	○ RC14
C	○ RE6	○ VDD	○ RG12	○ RG14	○ RA6	○ N/C	○ RD7	○ RD4	○ Vss	○ RC13	○ RD11
D	○ RC1	○ RE7	○ RE5	○ Vss	○ N/C	○ N/C	○ RD6	○ RD13	○ RD0	○ N/C	○ RD10
E	○ RC4	○ RC3	○ RG6	○ RC2	○ N/C	○ RG1	○ N/C	○ RA15	○ RD8	○ RD9	○ RA14
F	○ MCLR	○ RG8	○ RG9	○ RG7	○ Vss	○ N/C	○ N/C	○ VDD	○ OSCI/ RC12	○ Vss	○ OSCO/ RC15
G	○ RE8	○ RE9	○ RA0	○ N/C	○ VDD	○ Vss	○ Vss	○ N/C	○ RA5	○ RA3	○ RA4
H	○ RB5/ PGEC3	○ RB4/ PGED3	○ Vss	○ Vss	○ N/C	○ VDD	○ N/C	○ RF7	○ RF6	○ RG2	○ RA2
J	○ RB3	○ RB2	○ RB7/ PGED2	○ AVDD	○ RB11	○ RA1	○ RB12	○ N/C	○ N/C	○ RF8	○ RG3
K	○ RB1/ PGEC1	○ RB0/ PGED1	○ RA10	○ RB8	○ N/C	○ RF12	○ RB14	○ VDD	○ RD15	○ RF3	○ RF2
L	○ RB6/ PGEC2	○ RA9	○ AVss	○ RB9	○ RB10	○ RF13	○ RB13	○ RB15	○ RD14	○ RF4	○ RF5

# PIC24FJXXXDA1/DA2/GB2/GA3

## 2.4 Memory Map

The program memory map extends from 000000h to FFFFFFFh. Code storage is located at the base of the memory map and supports up to 87K instruction words (about 256 Kbytes). [Table 2-2](#) provides the program memory size, and number of erase and program blocks present in each device variant. Each erase block, or page, contains 512 instructions, and each program block, or row, contains 64 instructions.

Locations, 800000h through 8007FEh, are reserved for executive code memory. This region stores the programming executive and the debugging executive. The programming executive is used for device programming and the debugging executive is used for in-circuit debugging. This region of memory cannot be used to store user code.

The last four implemented program memory locations are reserved for the Flash Configuration Words. The reserved addresses are provided in [Table 2-2](#).

Locations, FF0000h and FF0002h, are reserved for the Device ID registers. These bits can be used by the programmer to identify what device type is being programmed. They are described in [Section 6.1 “Device ID”](#). The Device ID registers read out normally, even after code protection is applied.

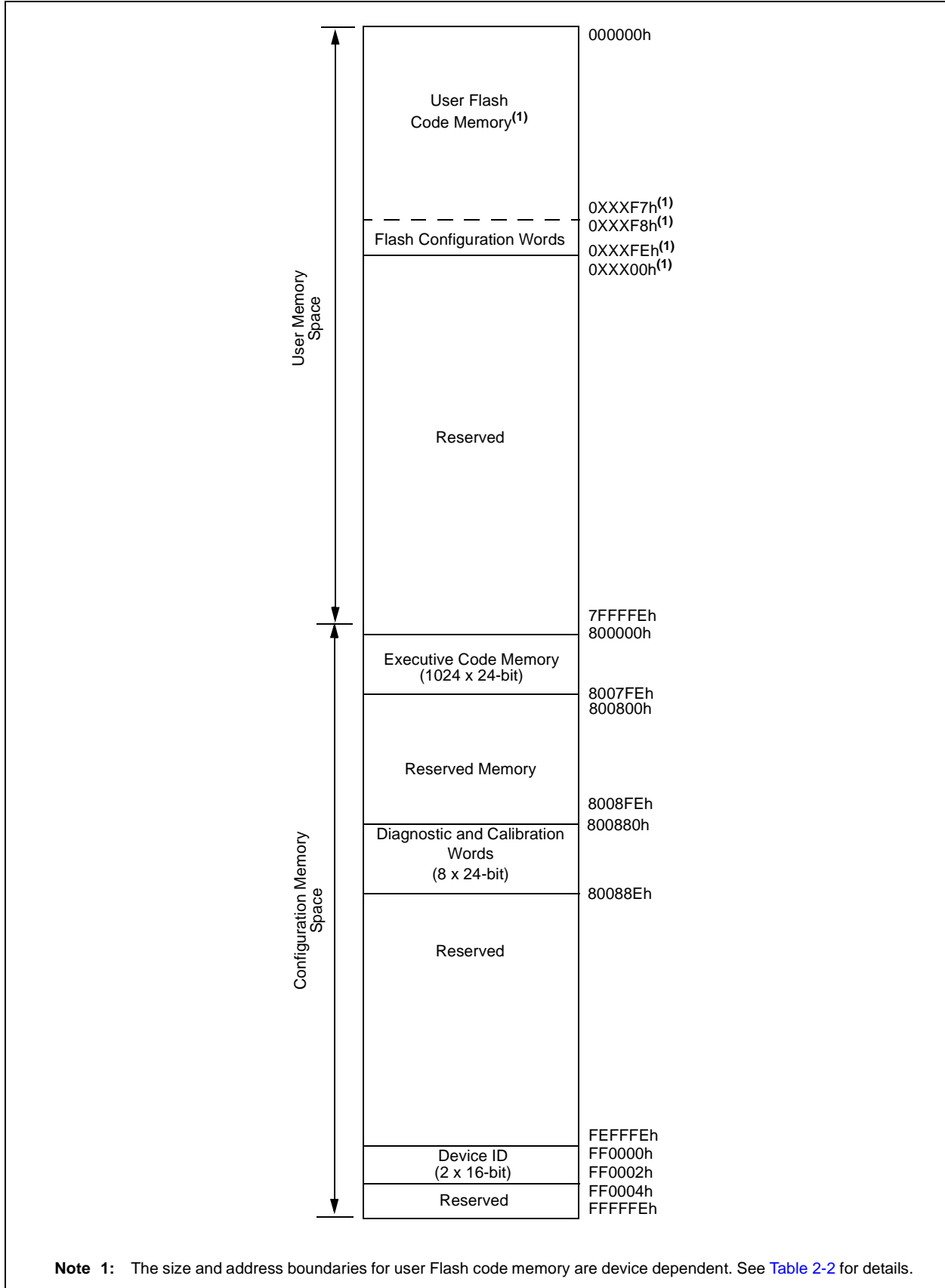
[Figure 2-14](#) displays the memory map for the PIC24FJXXXDA1/DA2/GB2/GA3 family variants.

**TABLE 2-2: CODE MEMORY SIZE AND FLASH CONFIGURATION WORD LOCATIONS FOR PIC24FJXXXDA1/DA2/GB2/GA3 DEVICES**

Device	User Memory Address Limit (Instruction Words)	Write Blocks	Erase Blocks	Configuration Word Addresses			
				1	2	3	4
PIC24FJ64GA3XX	00ABFEh (22K)	344	43	00ABFEh	00ABFCh	00ABFAh	00ABF8h
PIC24FJ128DA1XX	0157FEh (44K)	688	86	0157FEh	0157FCh	0157FAh	0157F8h
PIC24FJ128DA2XX							
PIC24FJ128GB2XX							
PIC24FJ128GA3XX	02ABFEh (87K)	1368	171	02ABFEh	02ABFCh	02ABFAh	02ABF8h
PIC24FJ256DA1XX							
PIC24FJ256DA2XX							
PIC24FJ256GB2XX							

# PIC24FJXXDA1/DA2/GB2/GA3

**FIGURE 2-14: PROGRAM MEMORY MAP**



# PIC24FJXXDA1/DA2/GB2/GA3

## 3.0 DEVICE PROGRAMMING – ICSP

ICSP mode is a special programming protocol that allows you to read and write to the memory of PIC24FJXXDA1/DA2/GB2/GA3 devices. The ICSP mode is the most direct method used to program the device; however, Enhanced ICSP is faster. ICSP mode also has the ability to read the contents of executive memory to determine if the programming executive is present. This capability is accomplished by applying control codes and instructions, serially to the device, using pins, PGECx and PGEDx.

In ICSP mode, the system clock is taken from the PGECx pin, regardless of the device's oscillator Configuration bits. All instructions are shifted serially into an internal buffer, then loaded into the Instruction Register (IR) and executed. No program fetching occurs from internal memory. Instructions are fed in 24 bits at a time. PGEDx is used to shift data in and PGECx is used as both the serial shift clock and the CPU execution clock.

**Note:** During ICSP operation, the operating frequency of PGECx must not exceed 10 MHz.

### 3.1 Overview of the Programming Process

See [Figure 3-1](#) for high-level overview of the programming process. After entering ICSP mode, the first action is to Chip Erase the device. Next, the code memory is programmed, followed by the device Configuration registers. Code memory (including the Configuration registers) is then verified to ensure that programming was successful. Then, the code-protect Configuration bits are programmed, if required.

## 3.2 ICSP Operation

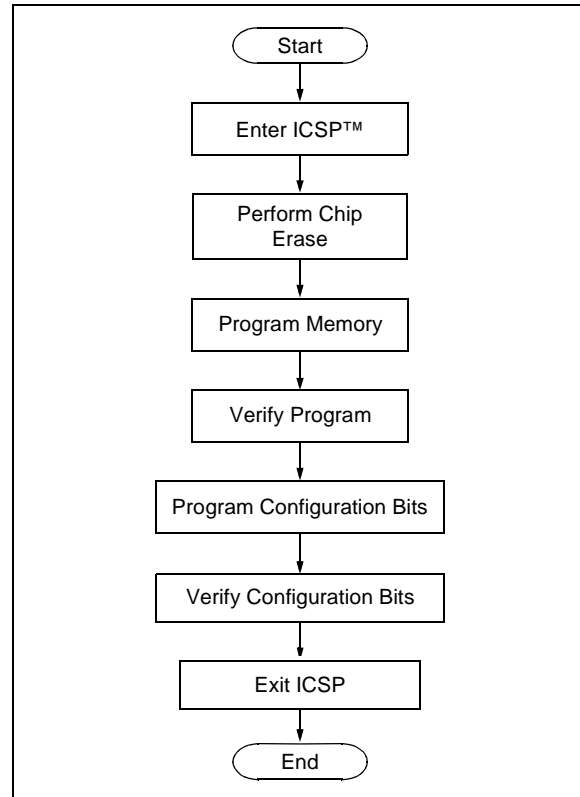
Upon entry into ICSP mode, the CPU is Idle. Execution of the CPU is governed by an internal state machine. A 4-bit control code is clocked in using PGECx and PGEDx and this control code is used to command the CPU (see [Table 3-1](#)).

The SIX control code is used to send instructions to the CPU for execution and the REGOUT control code is used to read data out of the device via the VISI register.

**TABLE 3-1: CPU CONTROL CODES IN ICSP™ MODE**

4-Bit Control Code	Mnemonic	Description
0000	SIX	Shift in 24-bit instruction and execute.
0001	REGOUT	Shift out the VISI (0784h) register.
0010–1111	N/A	Reserved.

**FIGURE 3-1: HIGH-LEVEL ICSP™ PROGRAMMING FLOW**



# PIC24FJXXXDA1/DA2/GB2/GA3

## 3.2.1 SIX SERIAL INSTRUCTION EXECUTION

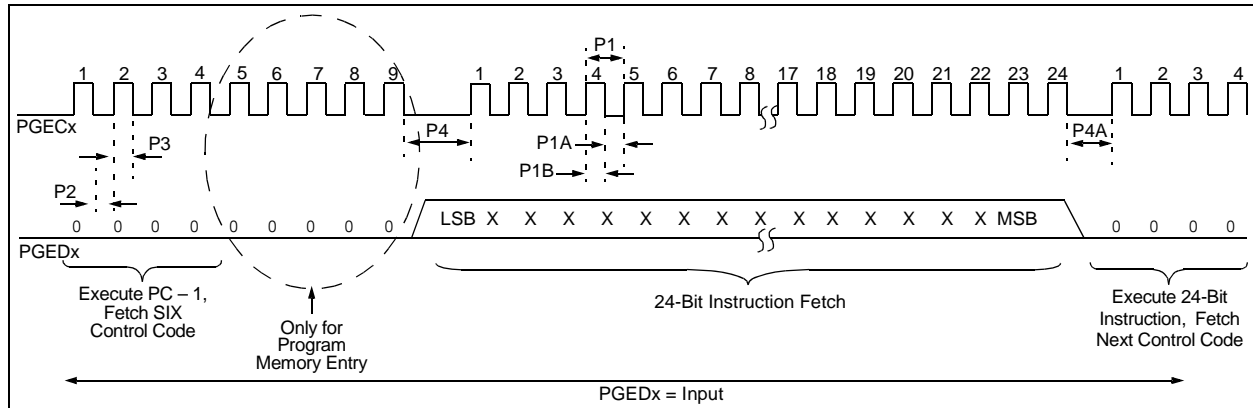
The SIX control code allows execution of PIC24F family assembly instructions. When the SIX code is received, the CPU is suspended for 24 clock cycles, as the instruction is then clocked into the internal buffer. Once the instruction is shifted in, the state machine allows it to be executed over the next four PGECx clock cycles. While the received instruction is executed, the state machine simultaneously shifts in the next 4-bit command (see Figure 3-2).

Coming out of Reset, the first 4-bit control code is always forced to SIX and a forced NOP instruction is executed by the CPU. Five additional PGECx clocks are needed on start-up, resulting in a 9-bit SIX command instead of the normal 4-bit SIX command.

After the forced SIX is clocked in, ICSP operation resumes as normal. That is, the next 24 clock cycles load the first instruction word to the CPU.

**Note:** To account for this forced NOP, all example code in this specification begins with a NOP to ensure that no data is lost.

**FIGURE 3-2: SIX SERIAL EXECUTION**



### 3.2.1.1 Differences Between the Execution of SIX and Normal Instructions

There are some important differences between executing instructions normally and using the SIX ICSP command. Therefore, the code examples in this specification may not match those for performing the same functions during normal device operation.

During SIX ICSP operation:

- Two-word instructions require two SIX operations to clock in all the necessary data. Examples of two-word instructions are GOTO and CALL.
- Two-cycle instructions require two SIX operations. The first SIX operation shifts in the instruction and begins to execute it. The second SIX operation, which should shift in a NOP to avoid losing data, provides the CPU clocks required to finish executing the instruction. Examples of two-cycle instructions are Table Read and Table Write instructions.
- The CPU does not automatically stall to account for pipeline changes. A CPU stall occurs when an instruction modifies a register that is used for indirect addressing by the following instruction.

During normal device operation:

- The CPU automatically will force a NOP while the new data is read. When using ICSP, there is no automatic stall, so any indirect references to a recently modified register should be preceded by a NOP.

For example, the instructions, MOV #0x0, W0 and MOV [W0], W1, must have a NOP inserted among them.

If a two-cycle instruction modifies a register that is used indirectly, it will require two NOPS: one to execute the second half of the instruction and the other to stall the CPU to correct the pipeline.

Instructions, such as TBLWTL [W0++], [W1], should be followed by two NOPS.

- The device Program Counter (PC) continues to automatically increment during ICSP instruction execution, even though the Flash memory is not being used.

As a result, the PC may be incremented to point to invalid memory locations. Invalid memory spaces include unimplemented Flash addresses and the vector space (locations: 0x0 to 0x1FF).

If the PC points to these locations, the device will reset, possibly interrupting the ICSP operation. To prevent this, instructions should be periodically executed to reset the PC to a safe space. The optimal method to accomplish this is to perform a GOTO 0x200.

# PIC24FJXXDA1/DA2/GB2/GA3

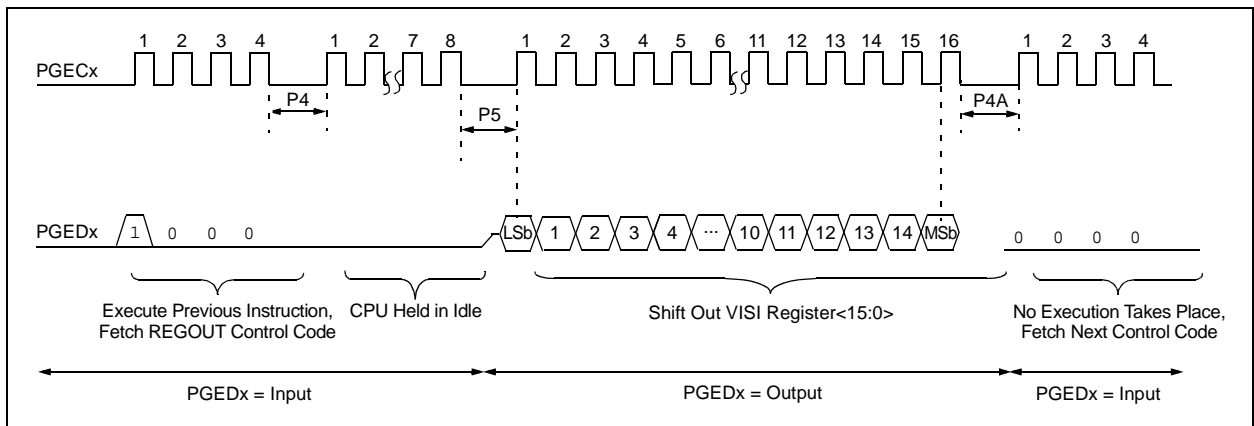
## 3.2.2 REGOUT SERIAL INSTRUCTION EXECUTION

The REGOUT control code allows for data to be extracted from the device in ICSP mode. It is used to clock the contents of the VISI register, out of the device, over the PGEDx pin. After the REGOUT control code is received, the CPU is held Idle for 8 cycles. After these 8 cycles, an additional 16 cycles are required to clock the data out (see [Figure 3-3](#)).

The REGOUT code is unique because the PGEDx pin is an input when the control code is transmitted to the device. However, after the control code is processed, the PGEDx pin becomes an output as the VISI register is shifted out.

- Note 1:** After the contents of VISI are shifted out, the PIC24FJXXDA1/DA2/GB2/GA3 devices maintain PGEDx as an output until the first rising edge of the next clock is received.
- 2:** Data changes on the falling edge and latches on the rising edge of PGECx. For all data transmissions, the Least Significant bit (LSb) is transmitted first.

**FIGURE 3-3: REGOUT SERIAL EXECUTION**





# PIC24FJXXXDA1/DA2/GB2/GA3

## 3.3 Entering ICSP Mode

As displayed in Figure 3-4, entering ICSP Program/Verify mode requires three steps:

1.  $\overline{\text{MCLR}}$  is briefly driven high, then low.
2. A 32-bit key sequence is clocked into PGEDx.
3.  $\overline{\text{MCLR}}$  is then driven high within a specified period and held.

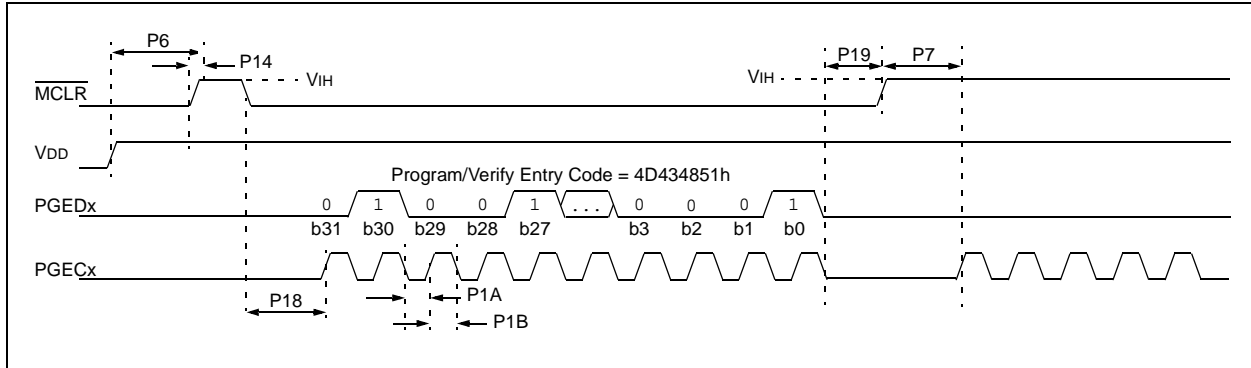
The programming voltage applied to  $\overline{\text{MCLR}}$  is  $V_{IH}$ , which is essentially  $V_{DD}$  in the case of PIC24FJXXXDA1/DA2/GB2/GA3 devices. There is no minimum time requirement for holding at  $V_{IH}$ . After  $V_{IH}$  is removed, an interval of at least P18 must elapse before presenting the key sequence on PGEDx.

The key sequence is a specific 32-bit pattern: '0100 1101 0100 0011 0100 1000 0101 0001' (more easily remembered as 4D434851h in hexadecimal). The device will enter Program/Verify mode only if the sequence is valid. The Most Significant bit (MSb) of the most significant nibble must be shifted in first.

Once the key sequence is complete,  $V_{IH}$  must be applied to  $\overline{\text{MCLR}}$  and held at that level for as long as Program/Verify mode is to be maintained. An interval of at least time, P19 and P7, must elapse before presenting data on PGEDx. Signals appearing on PGECx before P7 has elapsed will not be interpreted as valid.

On successful entry, the program memory can be accessed and programmed in serial fashion. While in ICSP mode, all unused I/Os are placed in the high-impedance state.

FIGURE 3-4: ENTERING ICSP™ MODE



# PIC24FJXXDA1/DA2/GB2/GA3

## 3.4 Flash Memory Programming in ICSP Mode

### 3.4.1 PROGRAMMING OPERATIONS

Flash memory write and erase operations are controlled by the NVMCON register. Programming is performed by setting NVMCON to select the type of erase operation (see Table 3-2) or write operation (see Table 3-3) and initiating the programming by setting the WR control bit (NVMCON<15>).

In ICSP mode, all programming operations are self-timed. There is an internal delay between the user setting the WR control bit and the automatic clearing of the WR control bit when the programming operation is complete. Refer to Section 7.0 “AC/DC Characteristics and Timing Requirements” for information about the delays associated with various programming operations.

**TABLE 3-2: NVMCON ERASE OPERATIONS**

NVMCON Value	Erase Operation
404Fh	Erase all code memory, executive memory and Configuration registers (does not erase Device ID registers).
4042h	Erase a page of code memory or executive memory.

**TABLE 3-3: NVMCON WRITE OPERATIONS**

NVMCON Value	Write Operation
4003h	Write a single code memory word, Configuration Word or Executive Memory Word.
4001h	Program 1 row (64 instruction words) of code memory or executive memory.

### 3.4.2 STARTING AND STOPPING A PROGRAMMING CYCLE

The WR bit (NVMCON<15>) is used to start an erase or write cycle. Setting the WR bit initiates the programming cycle.

All erase and write cycles are self-timed. The WR bit should be polled to determine if the erase or write cycle has been completed. Starting a programming cycle is performed as follows:

```
BSET NVMCON, #WR
```

## 3.5 Erasing Program Memory

The procedure for erasing program memory (all of the code memory, data memory, executive memory and code-protect bits) consists of setting NVMCON to 404Fh and executing the programming cycle.

A Chip Erase can erase all of the user memory or all of both the user and configuration memory. A Table Write instruction should be executed prior to performing the Chip Erase to select which sections are erased.

The Table Write instruction is executed:

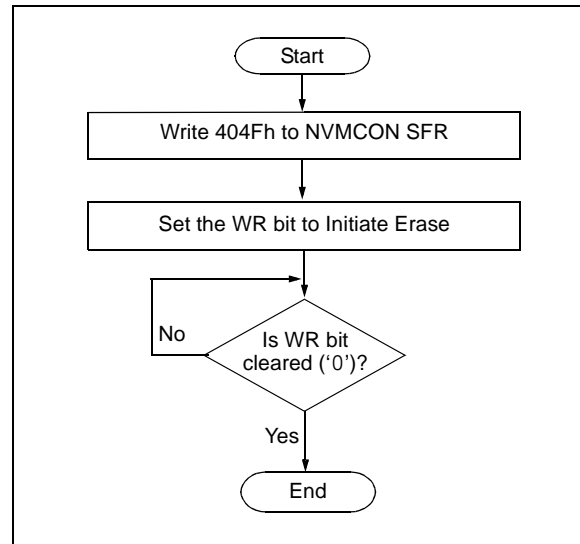
- If the TBLPAG register points to user space (is less than 0x80), the Chip Erase will erase only user memory and Flash Configuration Words.
- If the TBLPAG register points to configuration space (is greater than or equal to 0x80), the Chip Erase is not allowed. The configuration space can be erased one page at a time.

**Note:** The Chip Erase is not allowed when the TBLPAG points to the configuration space to avoid the Diagnostic and Calibration Words from getting erased.

Figure 3-5 displays the ICSP programming process for performing a Chip Erase. This process includes the ICSP command code, which must be transmitted (for each instruction), LSB first, using the PGECx and PGEDx pins (see Figure 3-2).

**Note:** Program memory must be erased before writing any data to program memory.

**FIGURE 3-5: CHIP ERASE FLOW**



# PIC24FJXXDA1/DA2/GB2/GA3

**TABLE 3-4: SERIAL INSTRUCTION EXECUTION FOR CHIP ERASE**

Command (Binary)	Data (Hex)	Description
<b>Step 1:</b> Exit the Reset vector.		
0000	000000	NOP
0000	040200	GOTO 0x200
0000	000000	NOP
<b>Step 2:</b> Set the NVMCON to erase all program memory.		
0000	2404FA	MOV #0x404F, W10
0000	883B0A	MOV W10, NVMCON
<b>Step 3:</b> Set TBLPAG and perform dummy Table Write to select what portions of memory are erased.		
0000	2xxxxx0	MOV #<PAGEVAL>, W0
0000	8802A0	MOV W0, TBLPAG
0000	200000	MOV #0x0000, W0
0000	BB0800	TBLWTL W0, [W0]
0000	000000	NOP
0000	000000	NOP
<b>Step 4:</b> Initiate the erase cycle.		
0000	A8E761	BSET NVMCON, #WR
0000	000000	NOP
0000	000000	NOP
<b>Step 5:</b> Repeat this step to poll the WR bit (bit 15 of NVMCON) until it is cleared by the hardware.		
0000	040200	GOTO 0x200
0000	000000	NOP
0000	803B02	MOV NVMCON, W2
0000	883C22	MOV W2, VISI
0000	000000	NOP
0001	<VISI>	Clock out contents of the VISI register
0000	000000	NOP

# PIC24FJXXDA1/DA2/GB2/GA3

## 3.6 Writing Code Memory

The procedure for writing code memory is the same as that of writing the Configuration registers, except that 64 instruction words are programmed at a time. To facilitate this operation, working registers, W0:W5, are used as temporary holding registers for the data to be programmed.

Table 3-5 provides the ICSP programming details, including the serial pattern with the ICSP command code, which must be transmitted, LSB first, using the PGECx and PGEDx pins (see Figure 3-2).

In Step 1, the Reset vector is exited. In Step 2, the NVMCON register is initialized for programming a full row of code memory. In Step 3, the 24-bit starting destination address for programming is loaded into the TBLPAG register and W7 register. (The upper byte of the starting destination address is stored in TBLPAG and the lower 16 bits of the destination address are stored in W7.)

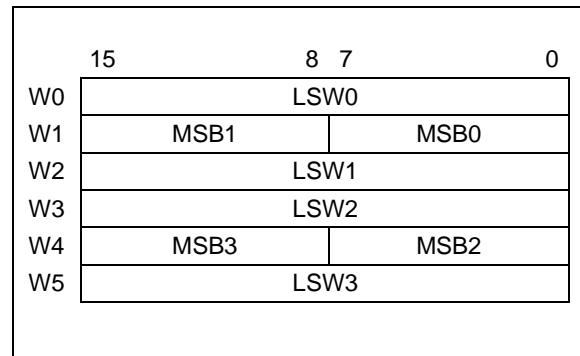
To minimize the programming time, a packed instruction format is used (see Figure 3-6).

In Step 4, four packed instruction words are stored in working registers, W0:W5, using the MOV instruction and the Read Pointer, W6, is initialized. The contents of W0:W5 (holding the packed instruction word data) are displayed in Figure 3-6.

In Step 5, eight TBLWT instructions are used to copy the data from W0:W5 to the write latches of code memory. Since code memory is programmed 64 instruction words at a time, Steps 4 and 5 are repeated 16 times to load all the write latches (Step 6).

After the write latches are loaded, programming is initiated by writing to the NVMCON register in Steps 7 and 8. In Step 9, the internal PC is reset to 200h. This is a precautionary measure to prevent the PC from incrementing into unimplemented memory when large devices are being programmed. Lastly, in Step 10, Steps 3-9 are repeated until all of the code memory is programmed.

**FIGURE 3-6: PACKED INSTRUCTION WORDS IN W0:W5**



**TABLE 3-5: SERIAL INSTRUCTION EXECUTION FOR WRITING CODE MEMORY**

Command (Binary)	Data (Hex)	Description
<b>Step 1:</b> Exit the Reset vector.		
0000	000000	NOP
0000	040200	GOTO 0x200
0000	000000	NOP
<b>Step 2:</b> Set the NVMCON to program 64 instruction words.		
0000	24001A	MOV #0x4001, W10
0000	883B0A	MOV W10, NVMCON
<b>Step 3:</b> Initialize the Write Pointer (W7) for TBLWT instruction.		
0000	200xx0	MOV #<DestinationAddress23:16>, W0
0000	8802A0	MOV W0, TBLPAG
0000	2xxxx7	MOV #<DestinationAddress15:0>, W7
<b>Step 4:</b> Load W0:W5 with the next 4 instruction words to program.		
0000	2xxxx0	MOV #<LSW0>, W0
0000	2xxxx1	MOV #<MSB1:MSB0>, W1
0000	2xxxx2	MOV #<LSW1>, W2
0000	2xxxx3	MOV #<LSW2>, W3
0000	2xxxx4	MOV #<MSB3:MSB2>, W4
0000	2xxxx5	MOV #<LSW3>, W5

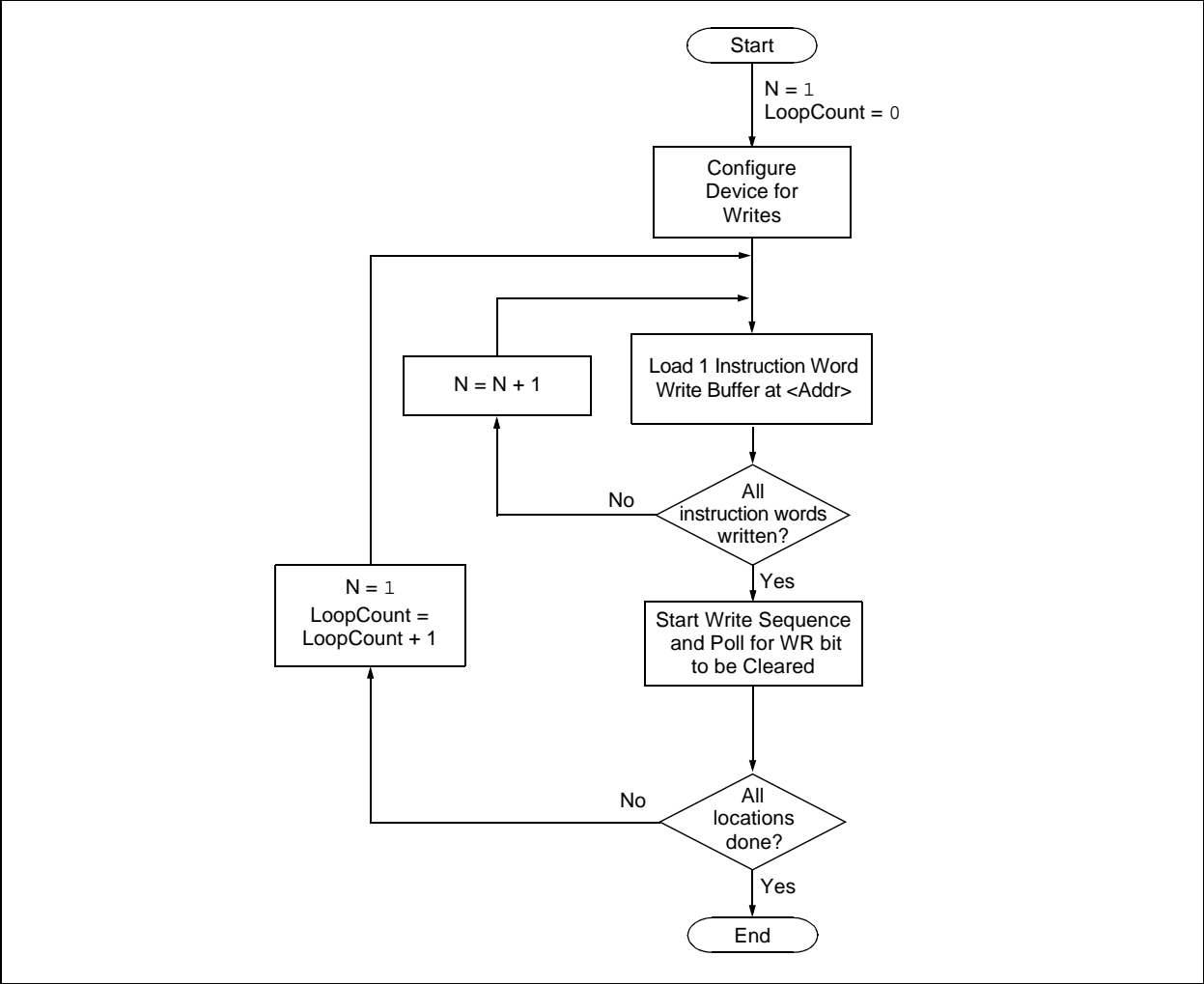
# PIC24FJXXDA1/DA2/GB2/GA3

**TABLE 3-5: SERIAL INSTRUCTION EXECUTION FOR WRITING CODE MEMORY (CONTINUED)**

Command (Binary)	Data (Hex)	Description
<b>Step 5:</b> Set the Read Pointer (W6) and load the (next set of) write latches.		
0000	EB0300	CLR W6
0000	000000	NOP
0000	BB0BB6	TBLWTL [W6++], [W7]
0000	000000	NOP
0000	000000	NOP
0000	BBDBB6	TBLWTH.B [W6++], [W7++]
0000	000000	NOP
0000	000000	NOP
0000	BBEBB6	TBLWTH.B [W6++], [++W7]
0000	000000	NOP
0000	000000	NOP
0000	BB1BB6	TBLWTL [W6++], [W7++]
0000	000000	NOP
0000	000000	NOP
0000	BB0BB6	TBLWTL [W6++], [W7]
0000	000000	NOP
0000	000000	NOP
0000	BBDBB6	TBLWTH.B [W6++], [W7++]
0000	000000	NOP
0000	000000	NOP
0000	BBEBB6	TBLWTH.B [W6++], [++W7]
0000	000000	NOP
0000	000000	NOP
0000	BB1BB6	TBLWTL [W6++], [W7++]
0000	000000	NOP
0000	000000	NOP
<b>Step 6:</b> Repeat Steps 4 and 5, 16 times, to load the write latches for 64 instructions.		
<b>Step 7:</b> Initiate the write cycle.		
0000	A8E761	BSET NVMCON, #WR
0000	000000	NOP
0000	000000	NOP
<b>Step 8:</b> Repeat this step to poll the WR bit (bit 15 of NVMCON) until it is cleared by the hardware.		
0000	040200	GOTO 0x200
0000	000000	NOP
0000	803B02	MOV NVMCON, W2
0000	883C22	MOV W2, VISI
0000	000000	NOP
0001	<VISI>	Clock out contents of the VISI register.
0000	000000	NOP
<b>Step 9:</b> Reset device internal PC.		
0000	040200	GOTO 0x200
0000	000000	NOP
<b>Step 10:</b> Repeat Steps 3 through 9 until all code memory is programmed.		

# PIC24FJXXDA1/DA2/GB2/GA3

FIGURE 3-7: PROGRAM CODE MEMORY FLOW



# PIC24FJXXDA1/DA2/GB2/GA3

## 3.7 Writing Configuration Words

Device configuration for PIC24FJXXDA1/DA2/GB2/GA3 devices is stored in Flash Configuration Words at the end of the user space program memory and in multiple register Configuration Words, located in the test space. These registers reflect values read at any Reset from program memory locations. The values for the Configuration Words for the default device configurations are listed in [Table 3-6](#).

The values can be changed only by programming the content of the corresponding Flash Configuration Word and resetting the device. The Reset forces an automatic reload of the Flash stored configuration values by sequencing through the dedicated Flash Configuration Words and transferring the data into the Configuration registers.

For the PIC24FJXXDA1/DA2/GB2/GA3 families, certain Configuration bits have default states that must always be maintained to ensure device functionality, regardless of the settings of other Configuration bits.

To change the values of the Flash Configuration Word once it has been programmed, the device must be Chip Erased, as described in [Section 3.5 “Erasing Program Memory”](#) and reprogrammed to the desired value. It is not possible to program a '0' to '1'; they may be programmed from a '1' to '0' to enable code protection.

[Table 3-7](#) provides the ICSP programming details for programming the Configuration Word locations, including the serial pattern with the ICSP command code, which must be transmitted, LSB first, using the PGECx and PGEDx pins (see [Figure 3-2](#)).

In Step 1, the Reset vector is exited. In Step 2, the lower 16 bits of the source address are stored in W7. In Step 3, the NVMCON register is initialized for programming of code memory. In Step 4, the upper byte of the 24-bit starting source address for writing is loaded into the TBLPAG register.

The TBLPAG register must be loaded with 00h for 64 Kbytes, and 01h for 128 and 256 Kbytes devices.

To verify the data by reading the Configuration Words after performing the write in order, the code protection bits initially should be programmed to a '1' to ensure that the verification can be performed properly. After verification is finished, the code protection bit can be programmed to a '0' by using a word write to the appropriate Configuration Word.

**TABLE 3-6: DEFAULT CONFIGURATION REGISTER VALUES**

Address	Name	Default Value
Last Word	CW1	7FFFh
Last Word – 2	CW2	FFFFh
Last Word – 4	CW3	FFFFh
Last Word – 6	CW4	FFFFh

# PIC24FJXXDA1/DA2/GB2/GA3

**TABLE 3-7: SERIAL INSTRUCTION EXECUTION FOR WRITING CONFIGURATION REGISTERS**

Command (Binary)	Data (Hex)	Description
<b>Step 1:</b> Exit the Reset vector.		
0000	000000	NOP
0000	040200	GOTO 0x200
0000	000000	NOP
<b>Step 2:</b> Initialize the Write Pointer (W7) for the TBLWT instruction.		
0000	2xxxx7	MOV #<CW1Address15:0>, W7
<b>Step 3:</b> Set the NVMCON register to program CW1.		
0000	24003A	MOV #0x4003, W10
0000	883B0A	MOV W10, NVMCON
<b>Step 4:</b> Initialize the TBLPAG register.		
0000	200xx0	MOV #<CW1Address23:16>, W0
0000	8802A0	MOV W0, TBLPAG
<b>Step 5:</b> Load the Configuration register data to W6.		
0000	2xxxx6	MOV #<CW1_VALUE>, W6
<b>Step 6:</b> Write the Configuration register data to the write latch and decrement the Write Pointer.		
0000	200008	MOV #0x0000, W8
0000	000000	NOP
0000	BBCB88	TBLWTH.B W8, [W7]
0000	000000	NOP
0000	000000	NOP
0000	BB1386	TBLWTL.W W6, [W7--]
0000	000000	NOP
0000	000000	NOP
<b>Step 7:</b> Initiate the write cycle.		
0000	A8E761	BSET NVMCON, #WR
0000	000000	NOP
0000	000000	NOP
<b>Step 8:</b> Repeat this step to poll the WR bit (bit 15 of NVMCON) until it is cleared by the hardware.		
0000	040200	GOTO 0x200
0000	000000	NOP
0000	803B02	MOV NVMCON, W2
0000	883C22	MOV W2, VISI
0000	000000	NOP
0001	<VISI>	Clock out contents of the VISI register.
0000	000000	NOP
<b>Step 9:</b> Reset device internal PC.		
0000	040200	GOTO 0x200
0000	000000	NOP
<b>Step 10:</b> Repeat Steps 5 through 9 to write Configuration Word 2 to Configuration Word 4.		



# PIC24FJXXDA1/DA2/GB2/GA3

## 3.8 Reading Code Memory

Reading from code memory is performed by executing a series of TBLRD instructions and clocking out the data using the REGOUT command.

Table 3-8 provides the ICSP programming details for reading code memory. In Step 1, the Reset vector is exited. In Step 2, the Write Pointer, W7, is initialized. In Step 3, the 24-bit starting source address for reading is loaded into the TBLPAG register and W6 register. The upper byte of the starting source address is stored in TBLPAG and the lower 16 bits of the source address are stored in W6.

To minimize the reading time, the packed instruction word format that was utilized for writing is also used for reading (see Figure 3-6). In Step 4, two instruction words are read from code memory and clocked out of the device, through the VISI register, using the REGOUT command. Step 4 is repeated until the desired amount of code memory is read.

**TABLE 3-8: SERIAL INSTRUCTION EXECUTION FOR READING CODE MEMORY**

Command (Binary)	Data (Hex)	Description
<b>Step 1: Exit Reset vector.</b>		
0000	000000	NOP
0000	040200	GOTO 0x200
0000	000000	NOP
<b>Step 2: Initialize the Write Pointer (W7) to point to the VISI register.</b>		
0000	207847	MOV #VISI, W7
0000	000000	NOP
<b>Step 3: Initialize TBLPAG and the Read Pointer (W6) for TBLRD instruction.</b>		
0000	200xx0	MOV #<SourceAddress23:16>, W0
0000	8802A0	MOV W0, TBLPAG
0000	2xxxx6	MOV #<SourceAddress15:0>, W6
<b>Step 4: Read and clock out the contents of the next two locations of code memory, through the VISI register, using the REGOUT command.</b>		
0000	BA0B96	TBLRDL [W6], [W7]
0000	000000	NOP
0000	000000	NOP
0001	<VISI>	Clock out contents of VISI register
0000	000000	NOP
0000	BADBB6	TBLRDH.B [W6++], [W7++]
0000	000000	NOP
0000	000000	NOP
0000	BAD3D6	TBLRDH.B [W6], [W7--]
0000	000000	NOP
0000	000000	NOP
0001	<VISI>	Clock out contents of VISI register
0000	000000	NOP
0000	BA0BB6	TBLRDL [W6++], [W7]
0000	000000	NOP
0000	000000	NOP
0001	<VISI>	Clock out contents of VISI register
0000	000000	NOP
<b>Step 5: Reset device internal PC.</b>		
0000	040200	GOTO 0x200
0000	000000	NOP
<b>Step 6: Repeat Steps 3 through 5 until all desired code memory is read (note that "Reset device internal PC" will be Step 5).</b>		

# PIC24FJXXDA1/DA2/GB2/GA3

## 3.9 Reading Configuration Words

The procedure for reading configuration memory is similar to the procedure for reading code memory, except that 16-bit data words are read instead of 24-bit words. Configuration Words are read one register at a time.

Table 3-9 provides the ICSP programming details for reading the Configuration Words. Note that the TBLPAG register must be loaded with 00h for 64 Kbytes, and 01h for 128 and 256 Kbytes devices. W6 is initialized to the lower 16 bits of the Configuration Word location.

**TABLE 3-9: SERIAL INSTRUCTION EXECUTION FOR READING ALL CONFIGURATION MEMORY**

Command (Binary)	Data (Hex)	Description
<b>Step 1:</b> Exit Reset vector.		
0000	000000	NOP
0000	040200	GOTO 0x200
0000	000000	NOP
<b>Step 2:</b> Initialize TBLPAG, the Read Pointer (W6) and the Write Pointer (W7) for TBLRD instruction.		
0000	200xx0	MOV #<CW1Address23:16>, W0
0000	8802A0	MOV W0, TBLPAG
0000	2xxxx6	MOV #<CW1Address15:0>, W6
0000	207847	MOV #VISI, W7
0000	000000	NOP
<b>Step 3:</b> Read the Configuration register and write it to the VISI register (located at 784h), and clock out the VISI register using the REGOUT command.		
0000	BA0BA6	TBLRDL [W6--], [W7]
0000	000000	NOP
0000	000000	NOP
0001	<VISI>	Clock out contents of VISI register
0000	000000	NOP
<b>Step 4:</b> Repeat Step 3 to read Configuration Word 2 to Configuration Word 4.		
<b>Step 5:</b> Reset device internal PC.		
0000	040200	GOTO 0x200
0000	000000	NOP

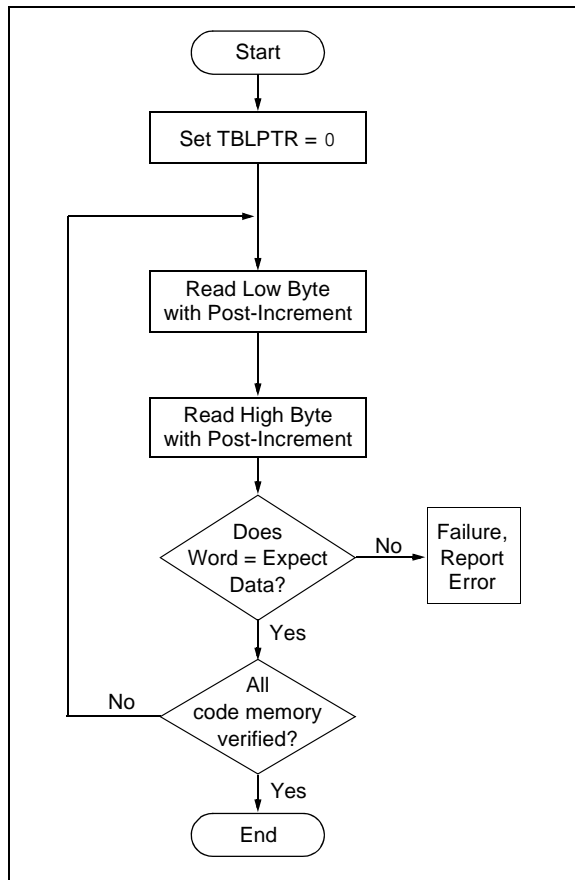
## 3.10 Verify Code Memory and Configuration Word

The verify step involves reading back the code memory space, and comparing it with the copy held in the programmer's buffer. The Configuration registers are verified with the rest of the code.

The flowchart in [Figure 3-8](#) illustrates the verify process. Memory reads occur a single byte at a time, so two bytes must be read to compare with the word in the programmer's buffer. Refer to [Section 3.8 "Reading Code Memory"](#) for implementation details of reading code memory.

**Note:** Because the Configuration registers include the device code protection bit, code memory should be verified immediately after writing if code protection is enabled. This is because the device will not be readable or verifiable if a device Reset occurs after the code-protect bit in CW1 has been cleared.

**FIGURE 3-8: VERIFY CODE MEMORY FLOW**



## 3.11 Reading the Application ID Word

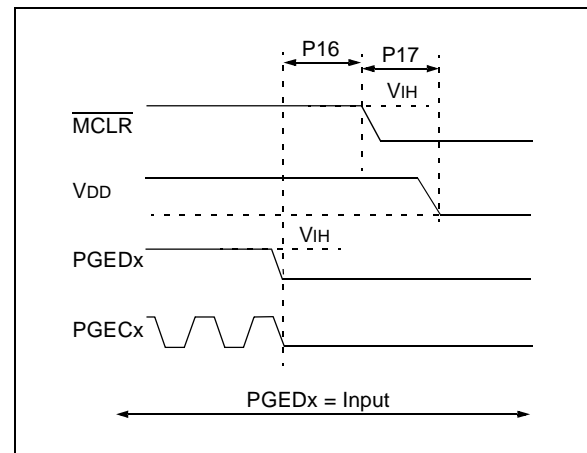
The Application ID Word is stored at address, 8007F0h, in executive code memory. To read this memory location, you must use the SIX control code to move this program memory location to the VISI register. Then, the REGOUT control code must be used to clock the contents of the VISI register out of the device. [Table 3-10](#) provides the corresponding control and instruction codes that must be serially transmitted to the device to perform this operation.

After the programmer has clocked out the Application ID Word, it must be inspected. If the Application ID has the value, CCh, the programming executive is resident in memory and the device can be programmed using the mechanism described in [Section 4.0 "Device Programming – Enhanced ICSP"](#). However, if the Application ID has any other value, the programming executive is not resident in memory; it must be loaded to memory before the device can be programmed. The procedure for loading the programming executive to memory is described in [Section 5.4 "Programming the Programming Executive to Memory"](#).

## 3.12 Exiting ICSP Mode

Exiting Program/Verify mode is done by removing  $V_{IH}$  from MCLR, as displayed in [Figure 3-9](#). The only requirement for exit is that an interval, P16, should elapse between the last clock and program signals on PGECx and PGEDx before removing  $V_{IH}$ .

**FIGURE 3-9: EXITING ICSP™ MODE**



# PIC24FJXXDA1/DA2/GB2/GA3

**TABLE 3-10: SERIAL INSTRUCTION EXECUTION FOR READING THE APPLICATION ID WORD**

Command (Binary)	Data (Hex)	Description
<b>Step 1:</b> Exit Reset vector.		
0000	000000	NOP
0000	040200	GOTO 0x200
0000	000000	NOP
<b>Step 2:</b> Initialize TBLPAG and the Read Pointer (W0) for TBLRD instruction.		
0000	200800	MOV #0x80, W0
0000	8802A0	MOV W0, TBLPAG
0000	207F00	MOV #0x07F0, W0
0000	207841	MOV #VISI, W1
0000	000000	NOP
0000	BA0890	TBLRD [W0], [W1]
0000	000000	NOP
0000	000000	NOP
<b>Step 3:</b> Output the VISI register using the REGOUT command.		
0001	<VISI>	Clock out contents of the VISI register
0000	000000	NOP

## 4.0 DEVICE PROGRAMMING – ENHANCED ICSP

This section discusses programming the device through Enhanced ICSP and the programming executive. The programming executive resides in executive memory (separate from code memory) and is executed when Enhanced ICSP Programming mode is entered. The programming executive provides the mechanism for the programmer (host device) to program and verify the PIC24FJXXXDA1/DA2/GB2/GA3 devices, using a simple command set and communication protocol. There are several basic functions provided by the programming executive:

- Read Memory
- Erase Memory
- Program Memory
- Blank Check
- Read Executive Firmware Revision

The programming executive performs the low-level tasks required for erasing, programming and verifying a device. This allows the programmer to program the device by issuing the appropriate commands and data. [Table 4-1](#) provides the commands. A detailed description for each command is provided in [Section 5.2 “Programming Executive Commands”](#).

**TABLE 4-1: COMMAND SET SUMMARY**

Command	Description
SCHECK	Sanity Check
READC	Read Device ID Registers
READP	Read Code Memory
PROGP	Program One Row of Code Memory and Verify
PROGW	Program One Word of Code Memory and Verify
QBLANK	Query if the Code Memory is Blank
QVER	Query the Software Version

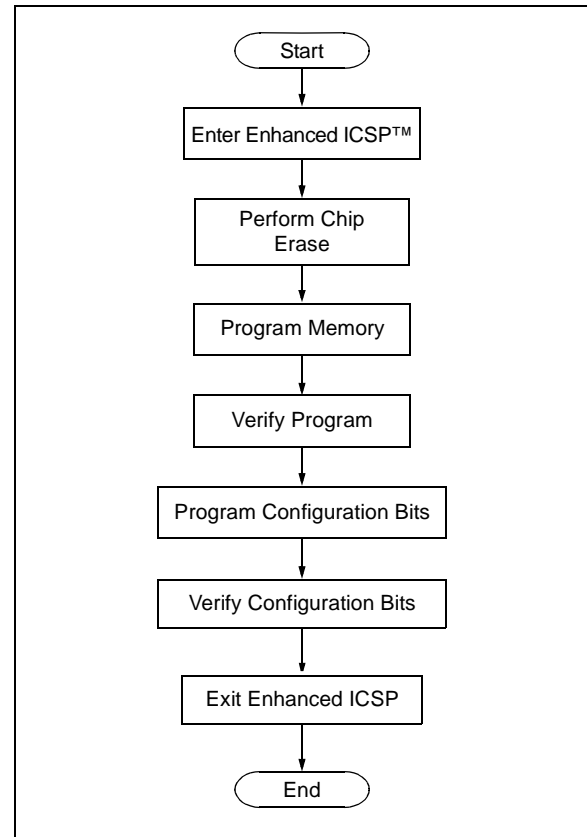
The programming executive uses the device’s data RAM for variable storage and program execution. After the programming executive has run, no assumptions should be made about the contents of data RAM.

### 4.1 Overview of the Programming Process

[Figure 4-1](#) displays the high-level overview of the programming process. After entering Enhanced ICSP mode, the programming executive is verified. Next, the device is erased. Then, the code memory is programmed, followed by the configuration locations. Code memory (including the Configuration registers) is then verified to ensure that programming was successful.

After the programming executive has been verified in memory (or loaded if not present), the PIC24FJXXXDA1/DA2/GB2/GA3 families can be programmed using the command set provided in [Table 4-1](#).

**FIGURE 4-1: HIGH-LEVEL ENHANCED ICSP™ PROGRAMMING FLOW**



### 4.2 Confirming the Presence of the Programming Executive

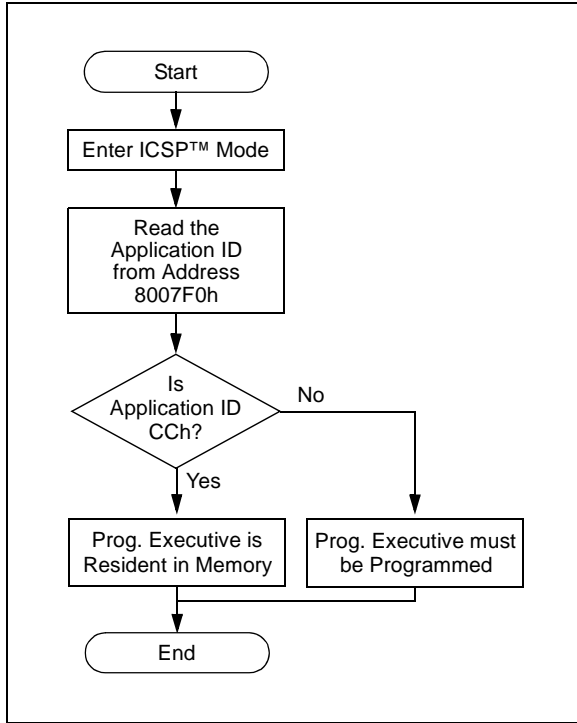
Before programming can begin, the programmer must confirm that the programming executive is stored in executive memory. The procedure for this task is displayed in [Figure 4-2](#).

First, ICSP mode is entered. Then, the unique Application ID Word stored in executive memory is read. If the programming executive is resident, the Application ID Word is CCh, which means programming can resume as normal. However, if the Application ID Word is not CCh, the programming executive must be programmed to executive code memory using the method described in [Section 5.4 “Programming the Programming Executive to Memory”](#).

[Section 3.0 “Device Programming – ICSP”](#) describes the ICSP programming method. [Section 3.11 “Reading the Application ID Word”](#) describes the procedure for reading the Application ID Word in ICSP mode.

# PIC24FJXXXDA1/DA2/GB2/GA3

**FIGURE 4-2: CONFIRMING PRESENCE OF PROGRAMMING EXECUTIVE**



## 4.3 Entering Enhanced ICSP Mode

As displayed in Figure 4-3, entering Enhanced ICSP Program/Verify mode requires three steps:

1. The  $\overline{\text{MCLR}}$  pin is briefly driven high, then low.
2. A 32-bit key sequence is clocked into PGEDx.
3.  $\overline{\text{MCLR}}$  is then driven high within a specified period and held.

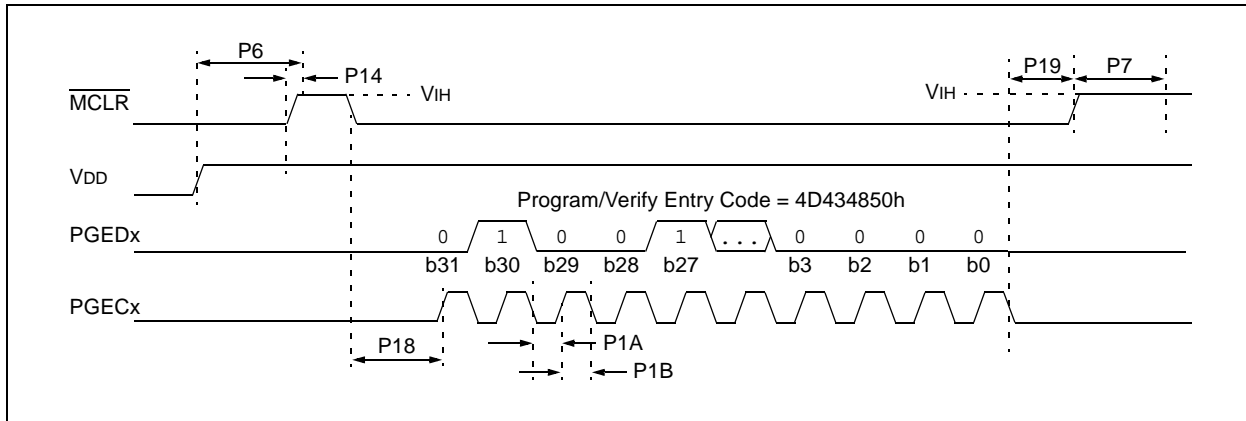
The programming voltage applied to  $\overline{\text{MCLR}}$  is  $V_{IH}$ , which is essentially  $V_{DD}$  in the case of PIC24FJXXXDA1/DA2/GB2/GA3 devices. There is no minimum time requirement for holding at  $V_{IH}$ . After  $V_{IH}$  is removed, an interval of at least P18 must elapse before presenting the key sequence on PGEDx.

The key sequence is a specific 32-bit pattern: '0100 1101 0100 0011 0100 1000 0101 0000' (more easily remembered as 4D434850h in hexadecimal format). The device will enter Program/Verify mode only if the key sequence is valid. The MSb of the most significant nibble must be shifted in first.

Once the key sequence is complete,  $V_{IH}$  must be applied to  $\overline{\text{MCLR}}$  and held at that level for as long as Program/Verify mode is to be maintained. An interval of at least time, P19 and P7, must elapse before presenting data on PGEDx. Signals appearing on PGEDx, before P7 has elapsed, will not be interpreted as valid.

On successful entry, the program memory can be accessed and programmed in serial fashion. While in the Program/Verify mode, all unused I/Os are placed in the high-impedance state.

**FIGURE 4-3: ENTERING ENHANCED ICSP™ MODE**



## 4.4 Blank Check

The term “Blank Check” implies verifying that the device has been successfully erased and has no programmed memory locations. A blank or erased memory location is always read as ‘1’.

The Device ID registers (FF0002h:FF0000h) can be ignored by the Blank Check since this region stores device information that cannot be erased. The device Configuration registers are also ignored by the Blank Check. Additionally, all unimplemented memory space should be ignored by the Blank Check.

The QBLANK command is used for the Blank Check. It determines if the code memory is erased by testing these memory regions. A ‘BLANK’ or ‘NOT BLANK’ response is returned. If it is determined that the device is not blank, it must be erased before attempting to program the chip.

## 4.5 Code Memory Programming

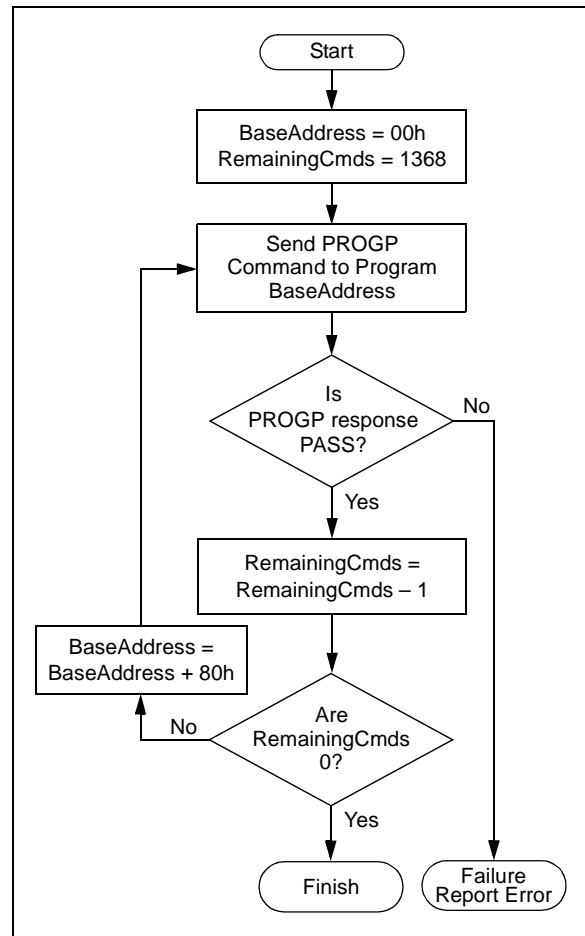
### 4.5.1 PROGRAMMING METHODOLOGY

Code memory is programmed with the PROGP command. PROGP programs one row of code memory starting from the memory address specified in the command. The number of PROGP commands required to program a device depends on the number of write blocks that must be programmed in the device.

A flowchart for programming the code memory of the PIC24FJXXXDA1/DA2/GB2/GA3 families is displayed in Figure 4-4. In this example, all 87K instruction words of a 256-Kbyte device are programmed. First, the number of commands to send (called ‘RemainingCmds’) is set to 1368 and the destination address (called ‘BaseAddress’) is set to ‘0’. Next, one write block in the device is programmed with a PROGP command. Each PROGP command contains data for one row of code memory of the device. After the first command is processed successfully, ‘RemainingCmds’ is decremented by 1 and compared with 0. Since there are more PROGP commands to send, ‘BaseAddress’ is incremented by 80h to point to the next row of memory.

On the second PROGP command, the second row is programmed. This process is repeated until the entire device is programmed. No special handling must be performed when a panel boundary is crossed.

FIGURE 4-4: FLOWCHART FOR PROGRAMMING CODE MEMORY



### 4.5.2 PROGRAMMING VERIFICATION

After code memory is programmed, the contents of memory can be verified to ensure that programming was successful. Verification requires code memory to be read back and compared with the copy held in the programmer’s buffer.

The READP command can be used to read back all of the programmed code memory.

Alternatively, you can have the programmer perform the verification, after the entire device is programmed, using a checksum computation.

# PIC24FJXXXDA1/DA2/GB2/GA3

## 4.6 Configuration Bits Programming

### 4.6.1 OVERVIEW

The PIC24FJXXXDA1/DA2/GB2/GA3 families have Configuration bits stored in the last four locations of implemented program memory (see Table 2-2 for locations). These bits can be set or cleared to select various device configurations. There are two types of Configuration bits: system operation bits and code-protect bits. The system operation bits determine the power-on settings for system level components, such as the oscillator and Watchdog Timer. The code-protect bits prevent program memory from being read and written to.

Table 4-2 provides the descriptions for the PIC24FJXXXDA1/DA2/GB2 Configuration bits in the Flash Configuration Words.

**Note:** Although not implemented with a specific function, the bit at CW1<15> must always be maintained as '0' to ensure device functionality, regardless of the settings of other Configuration bits.

**TABLE 4-2: PIC24FJXXXDA1/DA2/GB2 CONFIGURATION BITS DESCRIPTION**

Bit Field	Register <sup>(1)</sup>	Description
ALTPMP	CW3<12>	Alternate PMP Pin Mapping bit 1 = EPMP is in Default Location mode 0 = EPMP is in Alternate Location mode
ALTVREF	CW1<5>	Alternate VREF Location Enable bit 1 = VREF is on a default pin (VREF+ on RA9 and VREF- on RA10) 0 = VREF is on an alternate pin (VREF+ on RB0 and VREF- on RB1)
DEBUG	CW1<11>	Background Debugger Enable bit 1 = Device resets into Operational mode 0 = Device resets into Debug mode
FCKSM<1:0>	CW2<7:6>	Clock Switching and Fail-Safe Clock Monitor (FSCM) Configuration bits 1x = Clock switching and Fail-Safe Clock Monitor are disabled 01 = Clock switching is enabled, Fail-Safe Clock Monitor is disabled 00 = Clock switching is enabled, Fail-Safe Clock Monitor is enabled
FNOSC<2:0>	CW2<10:8>	Initial Oscillator Source Selection bits 111 = Fast RC Oscillator with Postscaler module (FRCDIV) 110 = Reserved 101 = Low-Power RC Oscillator (LPRC) 100 = Secondary Oscillator (SOSC) 011 = Primary Oscillator with PLL module (XTPLL, HSPLL, ECPLL) 010 = Primary (XT, HS, EC) Oscillator 001 = Fast RC Oscillator with Postscaler and PLL module (FRCPLL) 000 = Fast RC (FRC) Oscillator
FWDTEN	CW1<7>	Watchdog Timer Enable bit 1 = Watchdog Timer is enabled 0 = Watchdog Timer is disabled
FWPSA	CW1<4>	Watchdog Timer Prescaler bit 1 = WDT prescaler ratio of 1:128 0 = WDT prescaler ratio of 1:32
GCP	CW1<13>	General Segment Program Memory Code Protection bit 1 = Code protection is disabled 0 = Code protection is enabled for the entire program memory space

- Note 1:** Bits<23-16> should be programmed to a value of 0x00 to ensure that accidental program execution of any of the Configuration Words would be interpreted as a NOP opcode.
- 2:** The JTAGEN bit can be modified using only In-Circuit Serial Programming™ (ICSP™).
- 3:** Irrespective of the WPCFG status, if WPEND = 1 or if WPPF corresponds to the Configuration Words page, the Configuration Words page will be protected



# PIC24FJXXXDA1/DA2/GB2/GA3

**TABLE 4-2: PIC24FJXXXDA1/DA2/GB2 CONFIGURATION BITS DESCRIPTION (CONTINUED)**

Bit Field	Register <sup>(1)</sup>	Description
GWRP	CW1<12>	General Segment Code Flash Write Protection bit 1 = Writes to program memory are allowed 0 = Writes to program memory are disabled
ICS<1:0>	CW1<9:8>	ICD Emulator Pin Placement Select bits 11 = Emulator functions are shared with PGEC1/PGED1 10 = Emulator functions are shared with PGEC2/PGED2 01 = Emulator functions are shared with PGEC3/PGED3 00 = Reserved; do not use
IESO	CW2<15>	Internal External Switchover bit 1 = Two-Speed Start-up is enabled 0 = Two-Speed Start-up is disabled
IOL1WAY	CW2<4>	IOLOCK Bit One-Way Set Enable bit 1 = The IOLOCK bit (OSCCON<6>) can be set once, provided the unlock sequence has been completed. Once set, the Peripheral Pin Select (PPS) registers cannot be written to a second time. 0 = The IOLOCK is cleared as needed (provided an unlocking sequence is executed)
JTAGEN <sup>(2)</sup>	CW1<14>	JTAG Enable bit 1 = JTAG port is enabled 0 = JTAG port is disabled
OSCIOFCN	CW2<5>	OSC2 Pin Function bit (except in XT and HS modes) <u>If POSCMD&lt;1:0&gt; = 11 or 00:</u> 1 = OSCO/CLKO/RC15 functions as CLKO (Fosc/2) 0 = OSCO/CLKO/RC15 functions as port I/O (RC15) <u>If POSCMD&lt;1:0&gt; = 10 or 01:</u> OSCIOFCN has no effect on OSCO/CLKO/RC15
PLLDIV<2:0>	CW2<14:12>	USB 96 MHz PLL Prescaler Select bits 111 = Oscillator input divided by 12 (48 MHz input) 110 = Oscillator input divided by 8 (32 MHz input) 101 = Oscillator input divided by 6 (24 MHz input) 100 = Oscillator input divided by 5 (20 MHz input) 011 = Oscillator input divided by 4 (16 MHz input) 010 = Oscillator input divided by 3 (12 MHz input) 001 = Oscillator input divided by 2 (8 MHz input) 000 = Oscillator input used directly (4 MHz input)
POSCMD<1:0>	CW2<1:0>	Primary Oscillator Mode Select bits 11 = Primary Oscillator is disabled 10 = HS Oscillator mode is selected 01 = XT Oscillator mode is selected 00 = EC Oscillator mode is selected
PLL96MHz	CW2<11>	USB 96 MHz PLL Start-up Enable bit 1 = 96 MHz PLL is enabled automatically on start-up 0 = 96 MHz PLL is enabled by user in software (controlled with the PLEN bit in CLKDIV<5>)

**Note 1:** Bits<23-16> should be programmed to a value of 0x00 to ensure that accidental program execution of any of the Configuration Words would be interpreted as a NOP opcode.

**2:** The JTAGEN bit can be modified using only In-Circuit Serial Programming™ (ICSP™).

**3:** Irrespective of the WPCFG status, if WPEND = 1 or if WPPF corresponds to the Configuration Words page, the Configuration Words page will be protected

# PIC24FJXXXDA1/DA2/GB2/GA3

**TABLE 4-2: PIC24FJXXXDA1/DA2/GB2 CONFIGURATION BITS DESCRIPTION (CONTINUED)**

Bit Field	Register <sup>(1)</sup>	Description
SOSCSEL<1:0>	CW3<9:8>	SOSC Selection Configuration bits 11 = Secondary oscillator in Default (high drive strength) Oscillator mode 10 = Reserved; do not use 01 = Secondary oscillator in Low-Power (low drive strength) Oscillator mode 00 = External clock (SCLKI) or Digital I/O mode
WDTPS<3:0>	CW1<3:0>	Watchdog Timer Postscaler bits 1111 = 1:32,768 1110 = 1:16,384 . . . 0001 = 1:2 0000 = 1:1
WINDIS	CW1<6>	Windowed WDT bit 1 = Standard Watchdog Timer is enabled 0 = Windowed Watchdog Timer is enabled; FWDTEN must be '1'
WPCFG	CW3<14>	Configuration Word Code Page Write Protection Select bit 1 = Last page (at the top of program memory) and Flash Configuration Words are not write-protected <sup>(3)</sup> 0 = Last page and Flash Configuration Words are write-protected provided, WPDIS = 0
WPDIS	CW3<13>	Segment Write Protection Disable bit 1 = Segmented code protection is disabled 0 = Segmented code protection is enabled; protected segment defined by the WPEND, WPCFG and WFPF <sub>x</sub> Configuration bits
WPEND	CW3<15>	Segment Write Protection End Page Select bit 1 = Protected code segment upper boundary is at the last page of program memory; lower boundary is the code page specified by WFPF<7:0> 0 = Protected code segment lower boundary is at the bottom of program memory (000000h); upper boundary is the code page specified by WFPF<7:0>
WFPF<7:0>	CW3<7:0>	Write-Protected Code Segment Boundary Page bits Designate the 512-instruction page that is the boundary of the protected code segment, starting with Page 0 at the bottom of program memory. <u>If WPEND = 1:</u> First address of designated code page is the lower boundary of the segment; the last implemented page will be the last write-protected page. <u>If WPEND = 0:</u> Last address of designated code page is the upper boundary of the segment.
WUTSEL<1:0>	CW3<11:10>	Voltage Regulator Standby Mode Wake-up Time Select bits 11 = Default regulator start-up time is used 01 = Fast regulator start-up time is used x0 = Reserved; do not use

**Note 1:** Bits<23-16> should be programmed to a value of 0x00 to ensure that accidental program execution of any of the Configuration Words would be interpreted as a NOP opcode.

**2:** The JTAGEN bit can be modified using only In-Circuit Serial Programming™ (ICSP™).

**3:** Irrespective of the WPCFG status, if WPEND = 1 or if WFPF corresponds to the Configuration Words page, the Configuration Words page will be protected

# PIC24FJXXXDA1/DA2/GB2/GA3

Table 4-3 provides the descriptions for the PIC24FJXXXGA3 Configuration bits in the Flash Configuration Words.

**Note:** Although not implemented with a specific function, the bit at CW1<15> must always be maintained as '0' to ensure device functionality, regardless of the settings of other Configuration bits.

**TABLE 4-3: PIC24FJXXXGA3 CONFIGURATION BITS DESCRIPTION**

Bit Field	Register <sup>(1)</sup>	Description
ALTVREF<1:0>	CW2<12:11>	Alternate VREF/CVREF Location Enable bit 00 = AVREF AND CVREF are in alternate locations 01 = AVREF is in alternate location and CVREF is in default location 10 = AVREF is in default location and CVREF is in alternate location 11 = AVREF is in default location and CVREF is in default location
BBEN	CW4<10>	Back Bias Enable bit 0 = Back bias is disabled 1 = Back bias is enabled
BBDIS	CW2<2>	Back Bias Feature Disable bit 0 = Back bias feature enabled in Deep Sleep 1 = Back bias feature disabled
BOREN	CW3<12>	Brown-out Reset Enable bit 0 = BORMV is disabled 1 = BORMV is enabled outside of Deep Sleep (BORMV is always disabled in Deep Sleep)
BORV	CW2<3>	Brown-out Reset Voltage bit 0 = BORMV trip point is 1.8V min 1 = BORMV trip point is 2.0V min
DEBUG	CW1<11>	Background Debugger Enable bit 1 = Device resets into Operational mode 0 = Device resets into Debug mode
DSBITEN	CW4<8>	Deep Sleep Control bit 0 = Deep Sleep operation is always disabled 1 = Deep Sleep is controlled by the register bit, DSEN
DSWDTEN	CW4<7>	Deep Sleep Watchdog Timer Enable bit 1 = DSWDT is enabled 0 = DSWDT is disabled
DSBOREN	CW4<6>	Deep Sleep BOR Enable bit 1 = BOR is enabled in Deep Sleep 0 = BOR is disabled in Deep Sleep (does not affect Sleep mode)
DSWDTOSC	CW4<5>	DSWDT Reference Clock Select bit 1 = DSWDT uses LPRC as reference clock 0 = DSWDT uses SOSC as reference clock

- Note 1:** Bits<23:16> should be programmed to a value of 0x00 to ensure that accidental program execution of any of the Configuration Words would be interpreted as a NOP opcode.
- 2:** The JTAGEN bit can be modified only using In-Circuit Serial Programming™ (ICSP™).
- 3:** Irrespective of the WPCFG status, if WPEND = 1 or if WFPF corresponds to the Configuration Words page, the Configuration Words page will be protected

# PIC24FJXXXDA1/DA2/GB2/GA3

**TABLE 4-3: PIC24FJXXXGA3 CONFIGURATION BITS DESCRIPTION (CONTINUED)**

Bit Field	Register <sup>(1)</sup>	Description
DSWDTPS<3:0>	CW4<3:0>	<p>Deep Sleep Watchdog Timer Postscale Select bits</p> <p>The DS WDT prescaler is 32; this creates an approximate base time unit of 1 ms.</p> <p>11111 = 1:68,719,476736 (25.7 days)            11110 = 1:34,359,738368(12.8 days)            11101 = 1:17,179,869184 (6.4 days)            11100 = 1:8,589,934592 (77.0 hours)            11011 = 1:4,294,967296 (38.5 hours)            11010 = 1:2,147,483648 (19.2 hours)            11001 = 1:1,073,741824 (9.6 hours)            11000 = 1:536,870912 (4.8 hours)            10111 = 1:268,435456 (2.4 hours)            10110 = 1:134,217728 (72.2 minutes)            10101 = 1:67,108864 (36.1 minutes)            10100 = 1:33,554432 (18.0 minutes)            10011 = 1:16,777216 (9.0 minutes)            10010 = 1:8,388608 (4.5 minutes)            10001 = 1:4,194304 (135.3 s)            10000 = 1:2,097152 (67.7 s)            01111 = 1:1,048576 (33.825 s)            01110 = 1:524288 (16.912 s)            01101 = 1:262114 (8.456 s)            01100 = 1:131072 (4.228 s)            01011 = 1:65536 (2.114 s)            01010 = 1:32768 (1.057 s)            01001 = 1:16384 (528.5 ms)            01000 = 1:8192 (264.3 ms)            00111 = 1:4096 (132.1 ms)            00110 = 1:2048 (66.1 ms)            00101 = 1:1024 (33 ms)            00100 = 1:512 (16.5 ms)            00011 = 1:256 (8.3 ms)            00010 = 1:128 (4.1 ms)            00001 = 1:64 (2.1 ms)            00000 = 1:32 (1 ms)</p>
FCKSM<1:0>	CW2<7:6>	<p>Clock Switching and Fail-Safe Clock Monitor Selection Configuration bits</p> <p>1x = Clock switching and Fail-Safe Clock Monitor are disabled            01 = Clock switching is enabled, Fail-Safe Clock Monitor is disabled            00 = Clock switching is enabled, Fail-Safe Clock Monitor is enabled</p>
FNOSC<2:0>	CW2<10:8>	<p>Initial Oscillator Source Selection bits</p> <p>111 = Fast RC Oscillator with Postscaler module (FRCDIV)            110 = Reserved            101 = Low-Power RC Oscillator (LPRC)            100 = Secondary Oscillator (SOSC)            011 = Primary Oscillator with PLL module (XTPLL, HSPLL, ECPLL)            010 = Primary (XT, HS, EC) Oscillator            001 = Fast RC Oscillator with Postscaler and PLL module (FRCPLL)            000 = Fast RC (FRC) Oscillator</p>

**Note 1:** Bits<23:16> should be programmed to a value of 0x00 to ensure that accidental program execution of any of the Configuration Words would be interpreted as a NOP opcode.

**2:** The JTAGEN bit can be modified only using In-Circuit Serial Programming™ (ICSP™).

**3:** Irrespective of the WPCFG status, if WPEND = 1 or if WPPF corresponds to the Configuration Words page, the Configuration Words page will be protected

# PIC24FJXXXDA1/DA2/GB2/GA3

**TABLE 4-3: PIC24FJXXXGA3 CONFIGURATION BITS DESCRIPTION (CONTINUED)**

Bit Field	Register <sup>(1)</sup>	Description
FWDTEN<1:0>	CW1<6:5>	11 = Watchdog Timer is enabled in hardware 10 = Watchdog Timer is controlled with the SWDTEN bit setting 01 = Watchdog Timer is enabled only while device is active and disabled in Sleep; SWDTEN bit is disabled 00 = Watchdog Timer is disabled in hardware; SWDTEN bit is disabled
FWPSA	CW1<4>	Watchdog Timer Prescaler Ratio Select bit 1 = Watchdog Timer prescaler ratio of 1:128 0 = Watchdog Timer prescaler ratio of 1:32
GCP	CW1<13>	General Segment Program Memory Code Protection bit 1 = Code protection is disabled 0 = Code protection is enabled for the entire program memory space
GWRP	CW1<12>	General Segment Code Flash Write Protection bit 1 = Writes to program memory are allowed 0 = Writes to program memory are disabled
ICS<1:0>	CW1<9:8>	ICD Emulator Pin Placement Select bits 11 = Emulator functions are shared with PGEC1/PGED1 10 = Emulator functions are shared with PGEC2/PGED2 01 = Emulator functions are shared with PGEC3/PGED3 00 = Reserved; do not use
IESO	CW2<15>	Internal External Switchover bit 1 = Two-Speed Start-up is enabled 0 = Two-Speed Start-up is disabled
IOL1WAY	CW2<4>	IOLOCK Bit One-Way Set Enable bit 1 = The IOLOCK bit (OSCCON<6>) can be set once, provided the unlock sequence has been completed. Once set, the Peripheral Pin Select (PPS) registers cannot be written to a second time. 0 = The IOLOCK is cleared as needed (provided an unlocking sequence is executed)
JTAGEN <sup>(2)</sup>	CW1<14>	JTAG Enable bit 1 = JTAG port is enabled 0 = JTAG port is disabled
LPCFG	CW1<10>	Low-Power Regulator Control Enable bit 0 = LP regulator feature is available and controlled by ULPEN during Sleep 1 = LP regulator feature is not available
OSCIOFCN	CW2<5>	OSC2 Pin Function bit (except in XT and HS modes) If POSCMD<1:0> = 11 or 00: 1 = OSCO/CLKO/RC15 functions as CLKO (Fosc/2) 0 = OSCO/CLKO/RC15 functions as port I/O (RC15) If POSCMD<1:0> = 10 or 01: OSCIOFCN has no effect on OSCO/CLKO/RC15
POSCMD<1:0>	CW2<1:0>	Primary Oscillator Mode Select bits 11 = Primary Oscillator is disabled 10 = HS Oscillator mode is selected 01 = XT Oscillator mode is selected 00 = EC Oscillator mode is selected

- Note 1:** Bits<23:16> should be programmed to a value of 0x00 to ensure that accidental program execution of any of the Configuration Words would be interpreted as a NOP opcode.
- 2:** The JTAGEN bit can be modified only using In-Circuit Serial Programming™ (ICSP™).
- 3:** Irrespective of the WPCFG status, if WPEND = 1 or if WPPF corresponds to the Configuration Words page, the Configuration Words page will be protected

# PIC24FJXXDA1/DA2/GB2/GA3

**TABLE 4-3: PIC24FJXXGA3 CONFIGURATION BITS DESCRIPTION (CONTINUED)**

Bit Field	Register <sup>(1)</sup>	Description
RTCBATEN	CW4<9>	RTCC VBAT Battery Operation Enable bit 0 = RTC operation is discontinued in VBAT 1 = RTC operation is continued through VBAT
SOSCSEL<1:0>	CW3<9:8>	SOSC Selection Configuration bits 11 = Secondary oscillator in Default (high drive strength) Oscillator mode 10 = Reserved; do not use 01 = Secondary oscillator in Low-Power (low drive strength) Oscillator mode 00 = External clock (SCLKI) or Digital I/O mode
WDTPS<3:0>	CW1<3:0>	Watchdog Timer Postscaler bits 1111 = 1:32,768 1110 = 1:16,384 . . . 0001 = 1:2 0000 = 1:1
WDTWIN<1:0>	CW3<11:10>	Watchdog Timer Window Width 00 = 75% 01 = 50% 10 = 37.5% 11 = 25%
WINDIS	CW1<7>	Windowed WDT bit 1 = Standard Watchdog Timer is enabled 0 = Windowed Watchdog Timer is enabled; FWDTEN must be '1'
WPCFG	CW3<14>	Configuration Word Code Page Write Protection Select bit 1 = Last page (at the top of program memory) and Flash Configuration Words are not write-protected <sup>(3)</sup> 0 = Last page and Flash Configuration Words are write-protected provided, WPDIS = 0
WPDIS	CW3<13>	Segment Write Protection Disable bit 1 = Segmented code protection is disabled 0 = Segmented code protection is enabled; protected segment defined by the WPEND, WPCFG and WFPF <sub>x</sub> Configuration bits
WPEND	CW3<15>	Segment Write Protection End Page Select bit 1 = Protected code segment upper boundary is at the last page of program memory; lower boundary is the code page specified by WFPF<6:0> 0 = Protected code segment lower boundary is at the bottom of program memory (000000h); upper boundary is the code page specified by WFPF<6:0>

**Note 1:** Bits<23:16> should be programmed to a value of 0x00 to ensure that accidental program execution of any of the Configuration Words would be interpreted as a NOP opcode.

**2:** The JTAGEN bit can be modified only using In-Circuit Serial Programming™ (ICSP™).

**3:** Irrespective of the WPCFG status, if WPEND = 1 or if WFPF corresponds to the Configuration Words page, the Configuration Words page will be protected

# PIC24FJXXXDA1/DA2/GB2/GA3

**TABLE 4-3: PIC24FJXXXGA3 CONFIGURATION BITS DESCRIPTION (CONTINUED)**

Bit Field	Register <sup>(1)</sup>	Description
WPFP<6:0>	CW3<6:0>	Write-Protect Program Flash Pages (valid when WPDIS = 0) <sup>(3)</sup> When WPEND = 0: Erase/write-protect Flash memory pages, starting at page 0 and ending with page WPFP<6:0> When WPEND = 1: Erase/write-protect Flash memory pages, starting at page WPFP<6:0> and ending with the last page in user Flash
RTCBATEN	CW4<9>	RTCC VBAT Battery Operation Enable bit 0 = RTC operation is discontinued in VBAT 1 = RTC operation is continued through VBAT
LPCFG	CW1<10>	Low-Power Regulator Control Enable bit 0 = LP regulator feature is available and controlled by ULPEN during Sleep 1 = LP regulator feature is not available

- Note 1:** Bits<23:16> should be programmed to a value of 0x00 to ensure that accidental program execution of any of the Configuration Words would be interpreted as a NOP opcode.
- 2:** The JTAGEN bit can be modified only using In-Circuit Serial Programming™ (ICSP™).
- 3:** Irrespective of the WPCFG status, if WPEND = 1 or if WPFP corresponds to the Configuration Words page, the Configuration Words page will be protected

# PIC24FJXXDA1/DA2/GB2/GA3

## 4.6.2 PROGRAMMING METHODOLOGY

Configuration bits may be programmed a single word at a time using the PROGW command. This command specifies the configuration data and Configuration register address. When Configuration bits are programmed, any unimplemented or reserved bits must be programmed with a '1'.

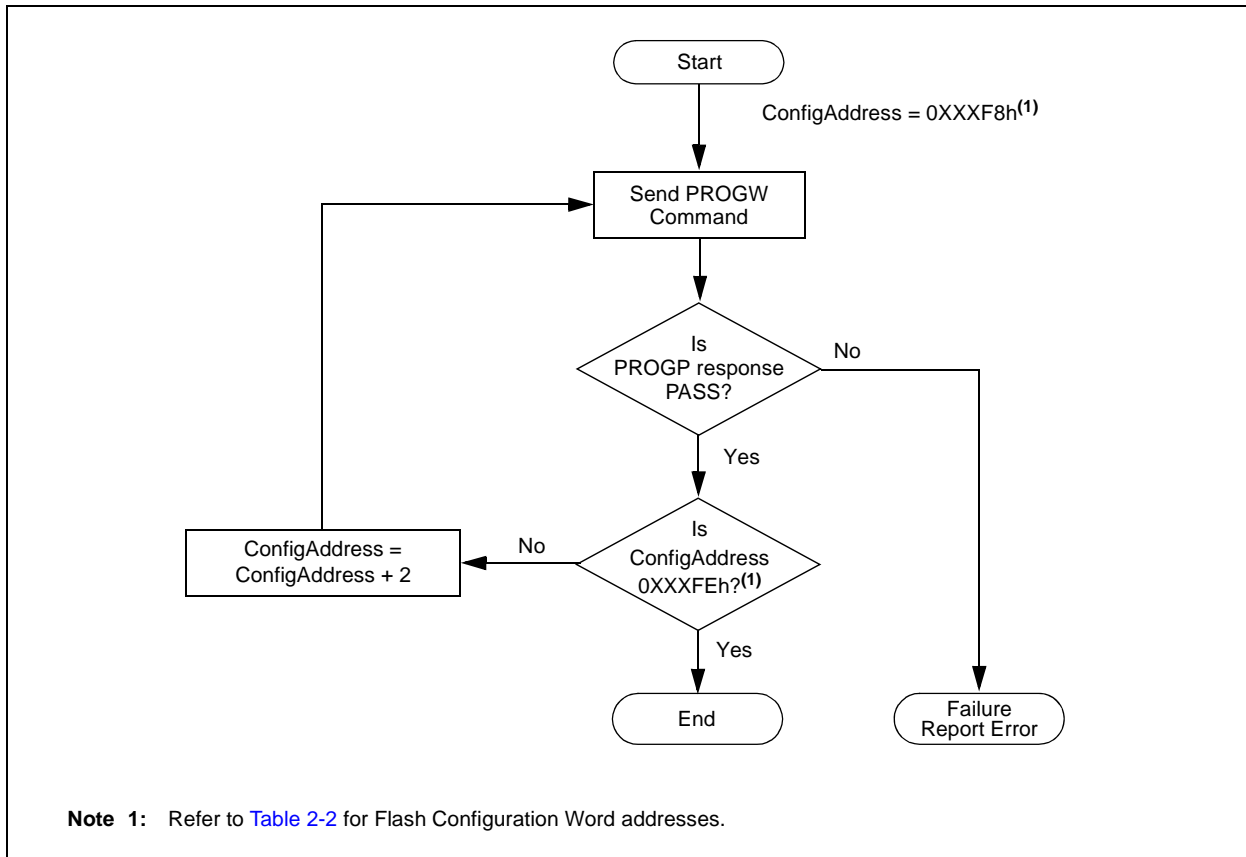
Four PROGW commands are required to program the Configuration bits. See [Figure 4-5](#) for a flowchart for Configuration bit programming.

**Note:** If the General Segment Code-Protect bit (GCP) is programmed to '0', code memory is code-protected and cannot be read. Code memory must be verified before enabling read protection. See [Section 4.6.4 "Code-Protect Configuration Bits"](#) for more information about code-protect Configuration bits.

## 4.6.3 PROGRAMMING VERIFICATION

After the Configuration bits are programmed, the contents of memory should be verified to ensure that the programming was successful. Verification requires the Configuration bits to be read back and compared with the copy held in the programmer's buffer. The READP command reads back the programmed Configuration bits and verifies that the programming was successful.

**FIGURE 4-5: CONFIGURATION BIT PROGRAMMING FLOW**





# PIC24FJXXXDA1/DA2/GB2/GA3

## 4.6.4 CODE-PROTECT CONFIGURATION BITS

PIC24FJXXXDA1/DA2/GB2/GA3 family devices provide two complimentary methods to protect application code from overwrites and erasures. These also help to protect the device from inadvertent configuration changes during run time. Additional information is available in the product data sheet.

### 4.6.4.1 GENERAL SEGMENT PROTECTION

For all devices in the PIC24FJXXXDA1/DA2/GB2/GA3 families, the on-chip program memory space is treated as a single block, known as the General Segment (GS). Code protection for this block is controlled by one Configuration bit, GCP. This bit inhibits external reads and writes to the program memory space. It has no direct effect in normal execution mode.

Write protection is controlled by the GWRP bit in the Configuration Word. When GWRP is programmed to '0', internal write and erase operations to program memory are blocked.

### 4.6.4.2 CODE SEGMENT PROTECTION

In addition to global General Segment protection, a separate subrange of the program memory space can be individually protected against writes and erases. This area can be used for many purposes, where a separate block of write and erase-protected code is needed, such as bootloader applications. Unlike common boot block implementations, the specially protected segment in PIC24FJXXXDA1/DA2/GB2/GA3 devices can be located by the user anywhere in the program space, and configured in a wide range of sizes.

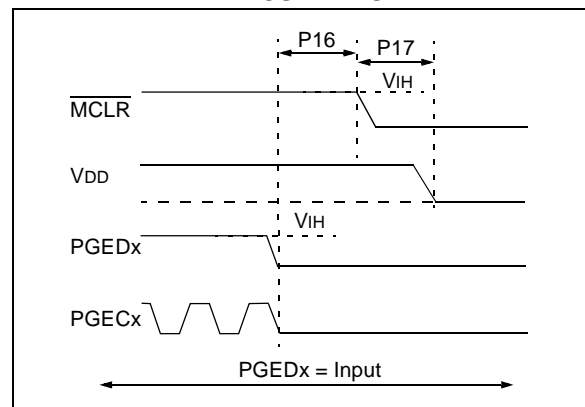
Code segment protection provides an added level of protection to a designated area of program memory by disabling the NVM safety interlock, whenever a write or erase address falls, within a specified range. It does not override General Segment protection controlled by the GCP or GWRP bits. For example, if GCP and GWRP are enabled, enabling segmented code protection for the bottom half of program memory does not undo General Segment protection for the top half.

**Note:** Chip Erasing in ICSP mode is the only way to reprogram code-protect bits from an ON state ('0') to an OFF state ('1').

## 4.7 Exiting Enhanced ICSP Mode

Exiting Program/Verify mode is done by removing  $V_{IH}$  from MCLR, as displayed in Figure 4-6. The only requirement for exit is that an interval, P16, should elapse between the last clock, and program signals on PGECx and PGEDx, before removing  $V_{IH}$ .

**FIGURE 4-6: EXITING ENHANCED ICSP™ MODE**



# PIC24FJXXXDA1/DA2/GB2/GA3

## 5.0 THE PROGRAMMING EXECUTIVE

**Note:** The Programming Executive (PE) can be located within the following folder within your installation of MPLAB® IDE: Microchip\MPLAB IDE\REAL ICE and then select the Hex PE file: RIPE\_01c\_XXXXXX.hex.

### 5.1 Programming Executive Communication

The programmer and programming executive have a master-slave relationship, where the programmer is the master programming device and the programming executive is the slave.

All communication is initiated by the programmer in the form of a command. Only one command at a time can be sent to the programming executive. In turn, the programming executive only sends one response to the programmer after receiving and processing a command. The programming executive command set is described in [Section 5.2 “Programming Executive Commands”](#). The response set is described in [Section 5.3 “Programming Executive Responses”](#).

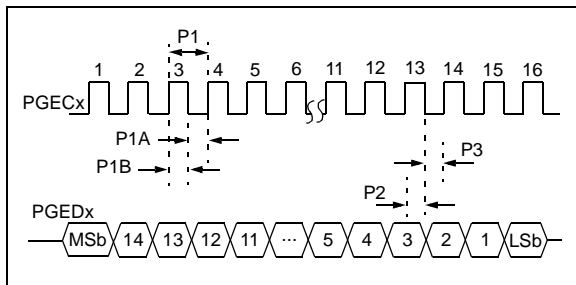
#### 5.1.1 COMMUNICATION INTERFACE AND PROTOCOL

The Enhanced ICSP interface is a 2-wire SPI, implemented using the PGECx and PGEDx pins. The PGECx pin is used as a clock input pin and the clock source must be provided by the programmer. The PGEDx pin is used for sending command data to, and receiving response data from, the programming executive.

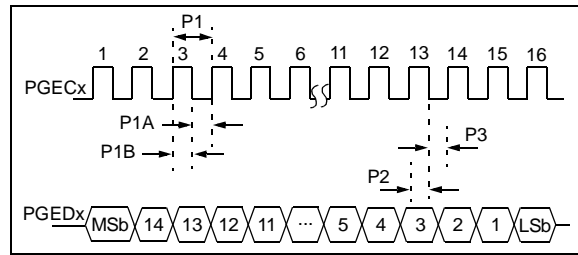
Data transmits to the device must change on the rising edge and hold on the falling edge. Data receives from the device must change on the falling edge and hold on the rising edge.

All data transmissions are sent MSb first using 16-bit mode (see [Figure 5-1](#)).

**FIGURE 5-1: PROGRAMMING EXECUTIVE SERIAL TIMING FOR DATA RECEIVED FROM DEVICE**



**FIGURE 5-2: PROGRAMMING EXECUTIVE SERIAL TIMING FOR DATA TRANSMITTED TO DEVICE**



Since a 2-wire SPI is used, and data transmissions are half-duplex, a simple protocol is used to control the direction of PGEDx. When the programmer completes a command transmission, it releases the PGEDx line and allows the programming executive to drive this line high. The programming executive keeps the PGEDx line high to indicate that it is processing the command.

After the programming executive has processed the command, it brings PGEDx low for 15  $\mu$ s to indicate to the programmer that the response is available to be clocked out. The programmer can begin to clock out the response, 23  $\mu$ s after PGEDx is brought low, and it must provide the necessary amount of clock pulses to receive the entire response from the programming executive.

After the entire response is clocked out, the programmer should terminate the clock on PGECx until it is time to send another command to the programming executive. See [Figure 5-3](#) for this protocol.

#### 5.1.2 SPI RATE

In Enhanced ICSP mode, the PIC24FJXXXDA1/DA2/GB2/GA3 devices operate from the Internal Fast RC Oscillator (FRCDIV), which has a nominal frequency of 8 MHz. This oscillator frequency yields an effective system clock frequency of 4 MHz. To ensure that the programmer does not clock too fast, it is recommended that a 4 MHz clock be provided by the programmer.

# PIC24FJXXXDA1/DA2/GB2/GA3

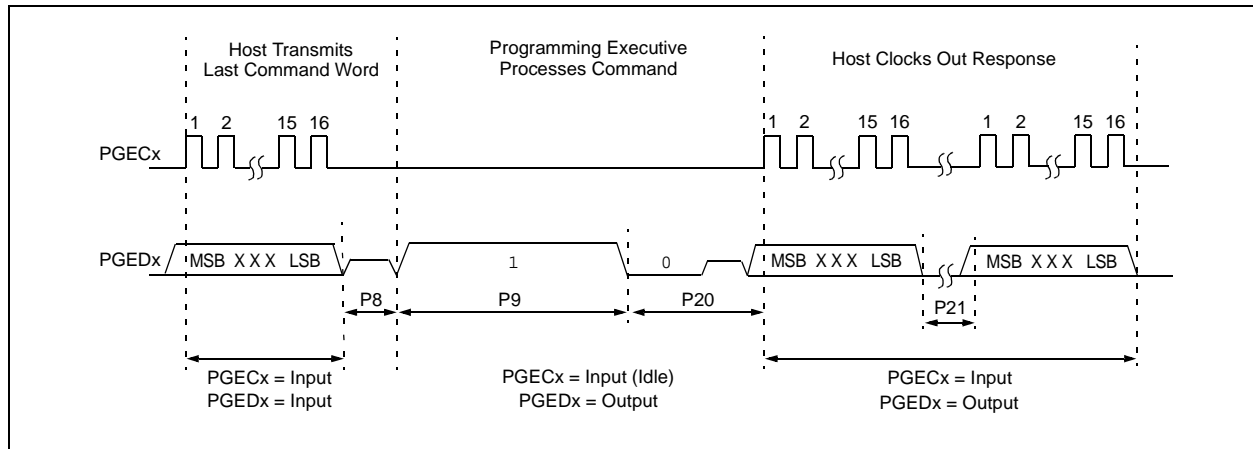
## 5.1.3 TIME-OUTS

The programming executive uses no Watchdog Timer or time-out for transmitting responses to the programmer. If the programmer does not follow the flow control mechanism using PGECx, as described in [Section 5.1.1 “Communication Interface and Protocol”](#), it is possible that the programming executive will behave unexpectedly while trying to send a response

to the programmer. Since the programming executive has no time-out, it is imperative that the programmer correctly follow the described communication protocol.

As a safety measure, the programmer should use the command time-outs identified and provided in [Table 5-1](#). If the command time-out expires, the programmer should reset the programming executive and start programming the device again.

**FIGURE 5-3: PROGRAMMING EXECUTIVE – PROGRAMMER COMMUNICATION PROTOCOL**



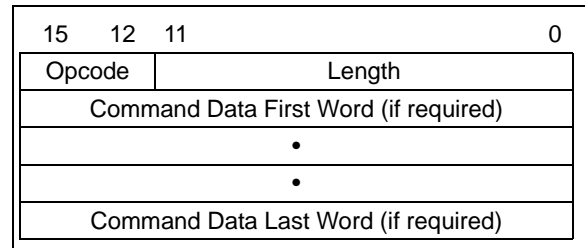
## 5.2 Programming Executive Commands

The programming executive command set is provided in [Table 5-1](#). This table contains the opcode, mnemonic, length, time-out and description for each command. Functional details on each command are provided in [Section 5.2.4 “Command Descriptions”](#).

### 5.2.1 COMMAND FORMAT

All programming executive commands have a general format consisting of a 16-bit header and any required data for the command (see [Figure 5-4](#)). The 16-bit header consists of a 4-bit opcode field, which is used to identify the command, followed by a 12-bit command length field.

**FIGURE 5-4: COMMAND FORMAT**



The command opcode must match one of those in the command set. Any command that is received, which does not match the list in [Table 5-1](#), will return a “NACK” response (see [Section 5.3.1.1 “Opcode Field”](#)).

The command length is represented in 16-bit words since the SPI operates in 16-bit mode. The programming executive uses the command length field to determine the number of words to read from the SPI port. If the value of this field is incorrect, the command will not be properly received by the programming executive.

# PIC24FJXXDA1/DA2/GB2/GA3

## 5.2.2 PACKED DATA FORMAT

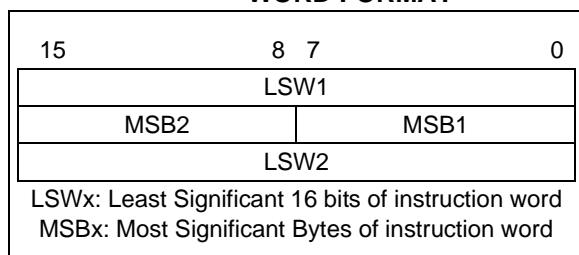
When 24-bit instruction words are transferred across the 16-bit SPI interface, they are packed to conserve space using the format displayed in [Figure 5-5](#). This format minimizes traffic over the SPI and provides the programming executive with data that is properly aligned for performing table write operations.

**Note:** When the number of instruction words transferred is odd, MSB2 is zero and LSW2 cannot be transmitted.

## 5.2.3 PROGRAMMING EXECUTIVE ERROR HANDLING

The programming executive will “NACK” all unsupported commands. Additionally, due to the memory constraints of the programming executive, no checking is performed on the data contained in the programmer command. It is the responsibility of the programmer to command the programming executive with valid command arguments or the programming operation may fail. Additional information on error handling is provided in [Section 5.3.1.3 “QE\\_Code Field”](#).

**FIGURE 5-5: PACKED INSTRUCTION WORD FORMAT**



**TABLE 5-1: PROGRAMMING EXECUTIVE COMMAND SET**

Opcode	Mnemonic	Length (16-bit words)	Time-out	Description
0h	SCHECK	1	1 ms	Sanity check.
1h	READC	3	1 ms	Read an 8-bit word from the specified Device ID register.
2h	READP	4	1 ms/row	Read N 24-bit instruction words of code memory starting from the specified address.
3h	RESERVED	N/A	N/A	This command is reserved; it will return a NACK.
4h	PROGC	4	5 ms	Write an 8-bit word to the specified Device ID registers.
5h	PROGP	99	5 ms	Program one row of code memory at the specified address, then verify. <sup>(1)</sup>
6h	RESERVED	5	5 ms	This command is reserved; it will return a NACK.
7h	RESERVED	N/A	N/A	This command is reserved; it will return a NACK.
8h	RESERVED	N/A	N/A	This command is reserved; it will return a NACK.
9h	RESERVED	N/A	N/A	This command is reserved; it will return a NACK.
Ah	RESERVED	N/A	N/A	This command is reserved.
Bh	QVER	1	1 ms	Query the programming executive software version.
Ch	RESERVED	N/A	N/A	This command is reserved; it will return a NACK.
Dh	PROGW	4	5 ms	Program one instruction word of code memory at the specified address and then verify.
Eh	QBLANK	3	TBD	Query if the code memory is blank.

**Legend:** TBD = To Be Determined

**Note 1:** One row of code memory consists of (64) 24-bit words. Refer to [Table 2-2](#) for device-specific information.

# PIC24FJXXXDA1/DA2/GB2/GA3

## 5.2.4 COMMAND DESCRIPTIONS

All commands supported by the programming executive are described in [Section 5.2.5 “SCHECK Command”](#) through [Section 5.2.12 “QVER Command”](#).

## 5.2.5 SCHECK COMMAND

15	12	11	0
Opcode		Length	

Field	Description
Opcode	0h
Length	1h

The SCHECK command instructs the programming executive to do nothing but generate a response. This command is used as a “Sanity Check” to verify that the programming executive is operational.

### Expected Response (2 words):

1000h  
0002h

**Note:** This instruction is not required for programming; it is provided for development purposes only.

## 5.2.6 READC COMMAND

15	12	11	8	7	0
Opcode		Length			
N			Addr_MSB		
Addr_LS					

Field	Description
Opcode	1h
Length	3h
N	Number of 8-bit Device ID registers to read (max. of 256)
Addr_MSB	MSB of 24-bit source address
Addr_LS	Least Significant 16 bits of 24-bit source address

The READC command instructs the programming executive to read N or Device ID registers, starting from the 24-bit address specified by Addr\_MSB and Addr\_LS. This command can only be used to read 8-bit or 16-bit data.

When this command is used to read Device ID registers, the upper byte in every data word returned by the programming executive is 00h and the lower byte contains the Device ID register value.

### Expected Response (4 + 3 \* (N – 1)/2 words for N odd):

1100h  
2 + N  
Device ID Register 1  
...  
Device ID Register N

**Note:** Reading unimplemented memory will cause the programming executive to reset. Ensure that only memory locations present on a particular device are accessed.

# PIC24FJXXDA1/DA2/GB2/GA3

## 5.2.7 READP COMMAND

15	12	11	8	7	0
Opcode		Length			
N					
Reserved			Addr_MSB		
Addr_LS					

Field	Description
Opcode	2h
Length	4h
N	Number of 24-bit instructions to read (max. of 32768)
Reserved	0h
Addr_MSB	MSB of 24-bit source address
Addr_LS	Least Significant 16 bits of 24-bit source address

The READP command instructs the programming executive to read N 24-bit words of code memory, including Configuration Words, starting from the 24-bit address specified by Addr\_MSB and Addr\_LS. This command can only be used to read 24-bit data. All data returned in response to this command uses the packed data format described in [Section 5.2.2 “Packed Data Format”](#).

### Expected Response (2 + 3 \* N/2 Words for N Even):

1200h  
 2 + 3 \* N/2  
 Least Significant Program Memory Word 1  
 ...  
 Least Significant Data Word N

### Expected Response (4 + 3 \* (N – 1)/2 Words for N Odd):

1200h  
 4 + 3 \* (N – 1)/2  
 Least Significant Program Memory Word 1  
 ...  
 MSB of Program Memory Word N (zero-padded)

**Note:** Reading unimplemented memory will cause the programming executive to reset. Ensure that only memory locations present on a particular device are accessed.

## 5.2.8 PROGC COMMAND

15	12	11	8	7	0
Opcode		Length			
Reserved			Addr_MSB		
Addr_LS					
Data					

Field	Description
Opcode	4h
Length	4h
Reserved	0h
Addr_MSB	MSB of the 24-bit destination address
Addr_LS	Least Significant 16 bits of the 24-bit destination address
Data	8-bit data word

The PROGC command instructs the programming executive to program a single Device ID register located at the specified memory address.

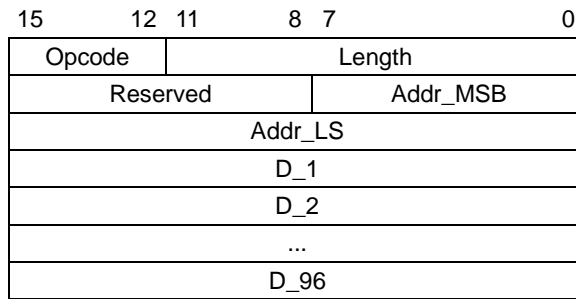
After the specified data word has been programmed to code memory, the programming executive verifies the programmed data against the data in the command.

### Expected Response (2 Words):

1400h  
 0002h

# PIC24FJXXDA1/DA2/GB2/GA3

## 5.2.9 PROGP COMMAND



Field	Description
Opcode	5h
Length	63h
Reserved	0h
Addr_MSB	MSB of the 24-bit destination address
Addr_LS	Least Significant 16 bits of the 24-bit destination address
D_1	16-bit Data Word 1
D_2	16-bit Data Word 2
...	16-bit Data Word 3 through 95
D_96	16-bit Data Word 96

The PROGP command instructs the programming executive to program one row of code memory, including Configuration Words (64 instruction words), to the specified memory address. Programming begins with the row address specified in the command. The destination address should be a multiple of 80h.

The data to program to memory, located in command words, D\_1 through D\_96, must be arranged using the packed instruction word format displayed in [Figure 5-5](#).

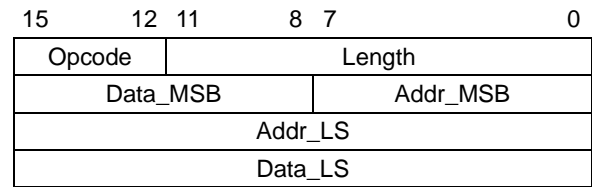
After all data has been programmed to code memory, the programming executive verifies the programmed data against the data in the command.

### Expected Response (2 Words):

1500h  
0002h

**Note:** Refer to [Table 2-2](#) for code memory size information.

## 5.2.10 PROGW COMMAND



Field	Description
Opcode	Dh
Length	4h
Reserved	0h
Addr_MSB	MSB of the 24-bit destination address
Addr_LS	Least Significant 16 bits of the 24-bit destination address
Data_MSB	MSB of 24-bit data
Data_LS	Least Significant 16 bits of the 24-bit data

The PROGW command instructs the programming executive to program one word of code memory (3 bytes) to the specific memory address.

After the word has been programmed to code memory, the programming executive verifies the programmed data against the data in the command.

### Expected Response (2 words):

1600h  
0002h





## 5.3 Programming Executive Responses

The programming executive sends a response to the programmer for each command that it receives. The response indicates if the command was processed correctly. It includes any required response data or error data.

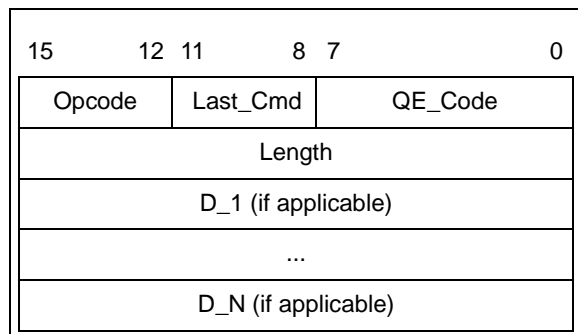
The programming executive response set is provided in [Table 5-2](#). This table contains the opcode, mnemonic and description for each response. The response format is described in [Section 5.3.1 "Response Format"](#).

**TABLE 5-2: PROGRAMMING EXECUTIVE RESPONSE OPCODES**

Opcode	Mnemonic	Description
1h	PASS	Command successfully processed.
2h	FAIL	Command unsuccessfully processed.
3h	NACK	Command not known.

### 5.3.1 RESPONSE FORMAT

All programming executive responses have a general format consisting of a two-word header and any required data for the command.



Field	Description
Opcode	Response opcode
Last_Cmd	Programmer command that generated the response
QE_Code	Query code or error code
Length	Response length in 16-bit words (includes 2 header words)
D_1	First 16-bit data word (if applicable)
D_N	Last 16-bit data word (if applicable)

#### 5.3.1.1 Opcode Field

The opcode is a 4-bit field in the first word of the response. The opcode indicates how the command was processed (see [Table 5-2](#)). If the command was processed successfully, the response opcode is PASS. If there was an error in processing the command, the response opcode is FAIL and the QE\_Code indicates the reason for the failure. If the command sent to the programming executive is not identified, the programming executive returns a NACK response.

#### 5.3.1.2 Last\_Cmd Field

The Last\_Cmd is a 4-bit field in the first word of the response and indicates the command that the programming executive processed. Since the programming executive can only process one command at a time, this field is technically not required. However, it can be used to verify that the programming executive correctly received the command that the programmer transmitted.

# PIC24FJXXDA1/DA2/GB2/GA3

## 5.3.1.3 QE\_Code Field

The QE\_Code is a byte in the first word of the response. This byte is used to return data for query commands and error codes for all other commands.

When the programming executive processes one of the two query commands (QBLANK or QVER), the returned opcode is always PASS and the QE\_Code holds the query response data. The format of the QE\_Code for both queries is provided in [Table 5-3](#).

**TABLE 5-3: QE\_Code FOR QUERIES**

Query	QE_Code
QBLANK	0Fh = Code memory is NOT blank F0h = Code memory is blank
QVER	0xMN, where Programming Executive Software Version = M.N (i.e., 32h means Software Version 3.2)

When the programming executive processes any command other than a query, the QE\_Code represents an error code. Supported error codes are provided in [Table 5-4](#). If a command is successfully processed, the returned QE\_Code is set to 0h, which indicates that there was no error in the command processing. If the verify of the programming for the PROGP or PROGC command fails, the QE\_Code is set to 1h. For all other programming executive errors, the QE\_Code is 2h.

**TABLE 5-4: QE\_Code FOR NON-QUERY COMMANDS**

QE_Code	Description
0h	No error
1h	Verify failed
2h	Other error

## 5.3.1.4 Response Length

The response length indicates the length of the programming executive's response in 16-bit words. This field includes the 2 words of the response header.

With the exception of the response for the READP command, the length of each response is only 2 words.

The response to the READP command uses the packed instruction word format described in [Section 5.2.2 "Packed Data Format"](#). When reading an odd number of program memory words (N odd), the response to the READP command is  $(3 * (N + 1) / 2 + 2)$  words. When reading an even number of program memory words (N even), the response to the READP command is  $(3 * N / 2 + 2)$  words.

# PIC24FJXXDA1/DA2/GB2/GA3

## 5.4 Programming the Programming Executive to Memory

### 5.4.1 OVERVIEW

If it is determined that the programming executive is not present in executive memory (as described in [Section 4.2 “Confirming the Presence of the Programming Executive”](#)), it must be programmed into executive memory using ICSP, as described in [Section 3.0 “Device Programming – ICSP”](#).

Storing the programming executive to executive memory is similar to normal programming of code memory. Namely, the executive memory must be erased and then the programming executive must be programmed, 64 words at a time. [Table 5-5](#) provides this control flow.

**Note:** The programming executive must always be erased before it is programmed, as described in [Table 5-5](#).

**TABLE 5-5: PROGRAMMING THE PROGRAMMING EXECUTIVE**

Command (Binary)	Data (Hex)	Description
<b>Step 1:</b> Exit Reset vector and erase executive memory.		
0000	000000	NOP
0000	040200	GOTO 0x200
0000	000000	NOP
<b>Step 2:</b> Initialize the NVMCON to erase executive memory.		
0000	240420	MOV #0x4042, W0
0000	883B00	MOV W0, NVMCON
<b>Step 3:</b> Initialize Erase Pointers to first page of executive and then initiate the erase cycle.		
0000	200800	MOV #0x80, W0
0000	8802A0	MOV W0, TBLPAG
0000	200001	MOV #0x0, W1
0000	000000	NOP
0000	BB0881	TBLWTL W1, [W1]
0000	000000	NOP
0000	000000	NOP
0000	A8E761	BSET NVMCON, #15
0000	000000	NOP
0000	000000	NOP
<b>Step 4:</b> Repeat this step to poll the WR bit (bit 15 of NVMCON) until it is cleared by the hardware.		
0000	040200	GOTO 0x200
0000	000000	NOP
0000	803B02	MOV NVMCON, W2
0000	883C22	MOV W2, VISI
0001	000000	NOP
	<VISI>	Clock out contents of the VISI register.
0000	000000	NOP
<b>Step 5:</b> Repeat Steps 3 and 4 to erase the second page of executive memory. The W1 Pointer should be incremented by 400h to point to the second page.		
<b>Step 6:</b> Initialize the NVMCON to program 64 instruction words.		
0000	240010	MOV #0x4001, W0
0000	883B00	MOV W0, NVMCON
<b>Step 7:</b> Initialize TBLPAG and the Write Pointer (W7).		
0000	200800	MOV #0x80, W0
0000	8802A0	MOV W0, TBLPAG
0000	EB0380	CLR W7
0000	000000	NOP

# PIC24FJXXDA1/DA2/GB2/GA3

**TABLE 5-5: PROGRAMMING THE PROGRAMMING EXECUTIVE (CONTINUED)**

Command (Binary)	Data (Hex)	Description
<b>Step 8:</b> Load W0:W5 with the next four words of packed programming executive code and initialize W6 for programming. Programming starts from the base of executive memory (800000h) using W6 as a Read Pointer and W7 as a Write Pointer.		
0000	2<LSW0>0	MOV #<LSW0>, W0
0000	2<MSB1:MSB0>1	MOV #<MSB1:MSB0>, W1
0000	2<LSW1>2	MOV #<LSW1>, W2
0000	2<LSW2>3	MOV #<LSW2>, W3
0000	2<MSB3:MSB2>4	MOV #<MSB3:MSB2>, W4
0000	2<LSW3>5	MOV #<LSW3>, W5
<b>Step 9:</b> Set the Read Pointer (W6) and load the (next four write) latches.		
0000	EB0300	CLR W6
0000	000000	NOP
0000	BB0BB6	TBLWTL [W6++], [W7]
0000	000000	NOP
0000	000000	NOP
0000	BBDBB6	TBLWTH.B [W6++], [W7++]
0000	000000	NOP
0000	000000	NOP
0000	BBEBB6	TBLWTH.B [W6++], [++W7]
0000	000000	NOP
0000	000000	NOP
0000	BB1BB6	TBLWTL [W6++], [W7++]
0000	000000	NOP
0000	000000	NOP
0000	BB0BB6	TBLWTL [W6++], [W7]
0000	000000	NOP
0000	000000	NOP
0000	BBDBB6	TBLWTH.B [W6++], [W7++]
0000	000000	NOP
0000	000000	NOP
0000	BBEBB6	TBLWTH.B [W6++], [++W7]
0000	000000	NOP
0000	000000	NOP
0000	BB1BB6	TBLWTL [W6++], [W7++]
0000	000000	NOP
0000	000000	NOP
<b>Step 10:</b> Repeat Steps 8 and 9, 16 times, to load the write latches for the 64 instructions.		
<b>Step 11:</b> Initiate the programming cycle.		
0000	A8E761	BSET NVMCON, #15
0000	000000	NOP
0000	000000	NOP
<b>Step 12:</b> Repeat this step to poll the WR bit (bit 15 of NVMCON) until it is cleared by the hardware.		
0000	040200	GOTO 0x200
0000	000000	NOP
0000	803B02	MOV NVMCON, W2
0000	883C22	MOV W2, VISI
0000	000000	NOP
0001	<VISI>	Clock out contents of the VISI register.
0000	000000	NOP
<b>Step 13:</b> Reset the device internal PC.		
0000	040200	GOTO 0x200
0000	000000	NOP

# PIC24FJXXDA1/DA2/GB2/GA3

**TABLE 5-5: PROGRAMMING THE PROGRAMMING EXECUTIVE (CONTINUED)**

Command (Binary)	Data (Hex)	Description
<b>Step 14:</b> Repeat Steps 8 through 13 until all 16 rows of executive memory have been programmed.		

## 5.4.2 PROGRAMMING VERIFICATION

After the programming executive has been programmed to executive memory using ICSP, it must be verified. Verification is performed by reading out the contents of executive memory and comparing it with the image of the programming executive stored in the programmer.

Reading the contents of executive memory can be performed using the same technique described in [Section 3.8 “Reading Code Memory”](#).

A procedure for reading executive memory is provided in [Table 5-6](#). Note that in Step 2, the TBLPAG register is set to 80h, such that executive memory may be read. The last eight words of executive memory should be verified with stored values of the Diagnostic and Calibration Words to ensure accuracy.

**TABLE 5-6: READING EXECUTIVE MEMORY**

Command (Binary)	Data (Hex)	Description
<b>Step 1:</b> Exit the Reset vector.		
0000	000000	NOP
0000	040200	GOTO 0x200
0000	000000	NOP
<b>Step 2:</b> Initialize TBLPAG and the Read Pointer (W6) for TBLRD instruction.		
0000	200800	MOV #0x80, W0
0000	8802A0	MOV W0, TBLPAG
0000	EB0300	CLR W6
<b>Step 3:</b> Initialize the Write Pointer (W7) to point to the VISI register.		
0000	207847	MOV #VISI, W7
0000	000000	NOP
<b>Step 4:</b> Read and clock out the contents of the next two locations of executive memory, through the VISI register, using the REGOUT command.		
0000	BA0B96	TBLRDL [W6], [W7]
0000	000000	NOP
0000	000000	NOP
0001	<VISI>	Clock out contents of VISI register
0000	000000	NOP
0000	BADBB6	TBLRDH.B [W6++], [W7++]
0000	000000	NOP
0000	000000	NOP
0000	BAD3D6	TBLRDH.B [W6++], [W7--]
0000	000000	NOP
0000	000000	NOP
0001	<VISI>	Clock out contents of VISI register
0000	000000	NOP
0000	BA0BB6	TBLRDL [W6++], [W7]
0000	000000	NOP
0000	000000	NOP
0001	<VISI>	Clock out contents of VISI register
0000	000000	NOP
<b>Step 5:</b> Reset the device internal PC.		
0000	040200	GOTO 0x200
0000	000000	NOP
<b>Step 6:</b> Repeat Steps 4 and 5 until all 1024 instruction words of executive memory are read.		

# PIC24FJXXXDA1/DA2/GB2/GA3

## 6.0 DEVICE DETAILS

### 6.1 Device ID

The Device ID region of memory can be used to determine mask, variant and manufacturing information about the chip. The Device ID region is 2 x 16 bits and it can be read using the READC command. This region of memory is read-only and can also be read when code protection is enabled.

[Table 6-1](#) provides the Device ID for each device, [Table 6-2](#) provides the Device ID registers and [Table 6-3](#) lists and describes the bit field of each register.

**TABLE 6-1: DEVICE IDs**

Device	DEVID
PIC24FJ128DA106	4109
PIC24FJ256DA106	410D
PIC24FJ128DA110	410B
PIC24FJ256DA110	410F
PIC24FJ128DA206	4108
PIC24FJ256DA206	410C
PIC24FJ128DA210	410A
PIC24FJ256DA210	410E
PIC24FJ64GA306	46C0
PIC24FJ64GA308	46C4
PIC24FJ64GA310	46C8
PIC24FJ128GA306	46C2
PIC24FJ128GA308	46C6
PIC24FJ128GA310	46CA
PIC24FJ128GB206	4100
PIC24FJ256GB206	4104
PIC24FJ128GB210	4102
PIC24FJ256GB210	4106

**TABLE 6-2: PIC24FJXXXDA1/DA2/GB2/GA3 DEVICE ID REGISTERS**

Address	Name	Bit															
		15	14	13	12	11	10	9	8	7	6	5	4	3	2	1	0
FF0000h	DEVID	FAMID<7:0>								DEV<7:0>							
FF0002h	DEVREV	—											REV<3:0>				

**TABLE 6-3: DEVICE ID BIT DESCRIPTIONS**

Bit Field	Register	Description
FAMID<7:0>	DEVID	Encodes the family ID of the device.
DEV<7:0>	DEVID	Encodes the individual ID of the device.
REV<3:0>	DEVREV	Encodes the sequential (numerical) revision identifier of the device.

### 6.2 Checksum Computation

Checksums for the PIC24FJXXXDA1/DA2/GB2/GA3 families are 16 bits in size. The checksum is calculated by summing the following:

- Contents of code memory locations
- Contents of Configuration registers

[Table 6-4](#) lists the devices and describes how to calculate the checksum for each device. All memory locations are summed, one byte at a time, using only their native data size. Especially, Configuration registers are summed by adding the lower two bytes of these locations (the upper byte is ignored), while code memory is summed by adding all three bytes of code memory.

# PIC24FJXXXDA1/DA2/GB2/GA3

**TABLE 6-4: CHECKSUM COMPUTATION**

Device	Read Code Protection	Checksum Computation	Erased Checksum Value	Checksum with 0xAAAAAA at 0x0 and Last Code Address
PIC24FJ128DA106	Disabled	CFGB + SUM(0:157F7)	F784h	F586h
	Enabled	0	0000h	0000h
PIC24FJ256DA106	Disabled	CFGB + SUM(0:2ABF7)	F984h	F786h
	Enabled	0	0000h	0000h
PIC24FJ128DA110	Disabled	CFGB + SUM(0:157F7)	F784h	F586h
	Enabled	0	0000h	0000h
PIC24FJ256DA110	Disabled	CFGB + SUM(0:2ABF7)	F984h	F786h
	Enabled	0	0000h	0000h
PIC24FJ128DA206	Disabled	CFGB + SUM(0:157F7)	F784h	F586h
	Enabled	0	0000h	0000h
PIC24FJ256DA206	Disabled	CFGB + SUM(0:2ABF7)	F984h	F786h
	Enabled	0	0000h	0000h
PIC24FJ128DA210	Disabled	CFGB + SUM(0:157F7)	F784h	F586h
	Enabled	0	0000h	0000h
PIC24FJ256DA210	Disabled	CFGB + SUM(0:2ABF7)	F984h	F786h
	Enabled	0	0000h	0000h
PIC24FJ64GA306	Disabled	CFGB + SUM(0:0ABF7)	F984h	F786h
	Enabled	0	0000h	0000h
PIC24FJ64GA308	Disabled	CFGB + SUM(0:0ABF7)	F984h	F786h
	Enabled	0	0000h	0000h
PIC24FJ64GA310	Disabled	CFGB + SUM(0:0ABF7)	F984h	F786h
	Enabled	0	0000h	0000h
PIC24FJ128GA306	Disabled	CFGB + SUM(0:157F7)	F784h	F586h
	Enabled	0	0000h	0000h
PIC24FJ128GA308	Disabled	CFGB + SUM(0:157F7)	F784h	F586h
	Enabled	0	0000h	0000h
PIC24FJ128GA310	Disabled	CFGB + SUM(0:157F7)	F784h	F586h
	Enabled	0	0000h	0000h
PIC24FJ128GB206	Disabled	CFGB + SUM(0:157F7)	F784h	F586h
	Enabled	0	0000h	0000h
PIC24FJ256GB206	Disabled	CFGB + SUM(0:2ABF7)	F984h	F786h
	Enabled	0	0000h	0000h
PIC24FJ128GB210	Disabled	CFGB + SUM(0:157F7)	F784h	F586h
	Enabled	0	0000h	0000h
PIC24FJ256GB210	Disabled	CFGB + SUM(0:2ABF7)	F984h	F786h
	Enabled	0	0000h	0000h

**Legend:** **Item**      **Description**  
SUM[a:b] = Byte sum of locations, a to b inclusive (all 3 bytes of code memory)  
CFGB      = Configuration Block (masked) byte sum of ((CW1 & 0x7FFF) + (CW2 & 0xFFFF) + (CW3 & 0xFFFF) + (CW4 & 0xFFFF))

**Note:** CW1 address is the last location of implemented program memory; CW2 is (last location – 2); CW3 is (last location – 4); CW4 is (last location – 6).

# PIC24FJXXDA1/DA2/GB2/GA3

## 7.0 AC/DC CHARACTERISTICS AND TIMING REQUIREMENTS

Standard Operating Conditions						
Operating Temperature: 0°C to +70°C. Programming at +25°C is recommended.						
Param No.	Symbol	Characteristic	Min	Max	Units	Conditions
D111	VDD	Supply Voltage During Programming	2.20	3.60	V	Normal programming <sup>(1)</sup>
D112	I <sub>PP</sub>	Programming Current on $\overline{\text{MCLR}}$	—	5	μA	
D113	I <sub>DDP</sub>	Supply Current During Programming	—	16	mA	
D031	V <sub>IL</sub>	Input Low Voltage	V <sub>SS</sub>	0.2 V <sub>DD</sub>	V	
D041	V <sub>IH</sub>	Input High Voltage	0.8 V <sub>DD</sub>	V <sub>DD</sub>	V	
D080	V <sub>OL</sub>	Output Low Voltage	—	0.4	V	I <sub>OL</sub> = 8.5 mA @ 3.6V
D090	V <sub>OH</sub>	Output High Voltage	3.0	—	V	I <sub>OH</sub> = -3.0 mA @ 3.6V
D012	C <sub>IO</sub>	Capacitive Loading on I/O pin (PGEDx)	—	50	pF	To meet AC specifications
D013	C <sub>F</sub>	Filter Capacitor Value on VCAP	4.7	10	μF	Required for controller core
P1	TPGEC	Serial Clock (PGECx) Period	100	—	ns	ICSP™ mode
			250	—	ns	Enhanced ICSP mode
P1A	TPGECL	Serial Clock (PGECx) Low Time	40	—	ns	ICSP mode
			100	—	ns	Enhanced ICSP mode
P1B	TPGECH	Serial Clock (PGECx) High Time	40	—	ns	ICSP mode
			100	—	ns	Enhanced ICSP mode
P2	TSET1	Input Data Setup Time to Serial Clock ↑	15	—	ns	
P3	THLD1	Input Data Hold Time from PGECx ↑	15	—	ns	
P4	TDLY1	Delay Between 4-Bit Command and Command Operand	40	—	ns	
P4A	TDLY1A	Delay Between 4-Bit Command Operand and Next 4-Bit Command	40	—	ns	
P5	TDLY2	Delay Between Last PGECx ↓ of Command Byte to First PGECx ↑ of Read of Data Word	20	—	ns	
P6	TSET2	VDD ↑ Setup Time to $\overline{\text{MCLR}}$ ↑	100	—	ns	
P7	THLD2	Input Data Hold Time from $\overline{\text{MCLR}}$ ↑	25	—	ms	
P8	TDLY3	Delay Between Last PGECx ↓ of Command Byte to PGEDx ↑ by Programming Executive	12	—	μs	
P9	TDLY4	Programming Executive Command Processing Time	40	—	μs	
P10	TDLY6	PGECx Low Time After Programming	400	—	ns	
P11	TDLY7	Chip Erase Time	20	40	ms	
P12	TDLY8	Page Erase Time	20	40	ms	
P13	TDLY9	Row Programming Time	1.5	—	ms	
P14	T <sub>R</sub>	$\overline{\text{MCLR}}$ Rise Time to Enter ICSP mode	—	1.0	μs	
P15	T <sub>VALID</sub>	Data Out Valid from PGECx ↑	10	—	ns	
P16	TDLY10	Delay Between Last PGECx ↓ and $\overline{\text{MCLR}}$ ↓	0	—	s	
P17	THLD3	$\overline{\text{MCLR}}$ ↓ to VDD ↓	100	—	ns	
P18	T <sub>KEY1</sub>	Delay from First $\overline{\text{MCLR}}$ ↓ to First PGECx ↑ for Key Sequence on PGEDx	40	—	ns	
P19	T <sub>KEY2</sub>	Delay from Last PGECx ↓ for Key Sequence on PGEDx to Second $\overline{\text{MCLR}}$ ↑	1	—	ms	
P20	TDLY11	Delay Between PGEDx ↓ by Programming Executive to PGEDx Driven by Host	23	—	μs	
P21	TDLY12	Delay Between Programming Executive Command Response Words	8	—	ns	

**Note 1:** VDD must also be supplied to the AVDD pins during programming. AVDD and AVSS should always be within ±0.3V of VDD and VSS, respectively. When the internal voltage regulator is enabled (i.e., ENVREG = VDD), the nominal VCAP is 1.8V.



---

**Note the following details of the code protection feature on Microchip devices:**

- Microchip products meet the specification contained in their particular Microchip Data Sheet.
- Microchip believes that its family of products is one of the most secure families of its kind on the market today, when used in the intended manner and under normal conditions.
- There are dishonest and possibly illegal methods used to breach the code protection feature. All of these methods, to our knowledge, require using the Microchip products in a manner outside the operating specifications contained in Microchip's Data Sheets. Most likely, the person doing so is engaged in theft of intellectual property.
- Microchip is willing to work with the customer who is concerned about the integrity of their code.
- Neither Microchip nor any other semiconductor manufacturer can guarantee the security of their code. Code protection does not mean that we are guaranteeing the product as “unbreakable.”

Code protection is constantly evolving. We at Microchip are committed to continuously improving the code protection features of our products. Attempts to break Microchip's code protection feature may be a violation of the Digital Millennium Copyright Act. If such acts allow unauthorized access to your software or other copyrighted work, you may have a right to sue for relief under that Act.

---

Information contained in this publication regarding device applications and the like is provided only for your convenience and may be superseded by updates. It is your responsibility to ensure that your application meets with your specifications. MICROCHIP MAKES NO REPRESENTATIONS OR WARRANTIES OF ANY KIND WHETHER EXPRESS OR IMPLIED, WRITTEN OR ORAL, STATUTORY OR OTHERWISE, RELATED TO THE INFORMATION, INCLUDING BUT NOT LIMITED TO ITS CONDITION, QUALITY, PERFORMANCE, MERCHANTABILITY OR FITNESS FOR PURPOSE. Microchip disclaims all liability arising from this information and its use. Use of Microchip devices in life support and/or safety applications is entirely at the buyer's risk, and the buyer agrees to defend, indemnify and hold harmless Microchip from any and all damages, claims, suits, or expenses resulting from such use. No licenses are conveyed, implicitly or otherwise, under any Microchip intellectual property rights.

**Trademarks**

The Microchip name and logo, the Microchip logo, dsPIC, KEELOQ, KEELOQ logo, MPLAB, PIC, PICmicro, PICSTART, PIC<sup>32</sup> logo, rPIC and UNI/O are registered trademarks of Microchip Technology Incorporated in the U.S.A. and other countries.


FilterLab, Hampshire, HI-TECH C, Linear Active Thermistor, MXDEV, MXLAB, SEEVAL and The Embedded Control Solutions Company are registered trademarks of Microchip Technology Incorporated in the U.S.A.

Analog-for-the-Digital Age, Application Maestro, CodeGuard, dsPICDEM, dsPICDEM.net, dsPICworks, dsSPEAK, ECAN, ECONOMONITOR, FanSense, HI-TIDE, In-Circuit Serial Programming, ICSP, Mindi, MiWi, MPASM, MPLAB Certified logo, MPLIB, MPLINK, mTouch, Omniscent Code Generation, PICC, PICC-18, PICDEM, PICDEM.net, PICkit, PICTail, REAL ICE, rLAB, Select Mode, Total Endurance, TSHARC, UniWinDriver, WiperLock and ZENA are trademarks of Microchip Technology Incorporated in the U.S.A. and other countries.

SQTP is a service mark of Microchip Technology Incorporated in the U.S.A.

All other trademarks mentioned herein are property of their respective companies.

© 2010, Microchip Technology Incorporated, Printed in the U.S.A., All Rights Reserved.

 Printed on recycled paper.

ISBN: 978-1-60932-484-1

*Microchip received ISO/TS-16949:2002 certification for its worldwide headquarters, design and wafer fabrication facilities in Chandler and Tempe, Arizona; Gresham, Oregon and design centers in California and India. The Company's quality system processes and procedures are for its PIC® MCUs and dsPIC® DSCs, KEELOQ® code hopping devices, Serial EEPROMs, microperipherals, nonvolatile memory and analog products. In addition, Microchip's quality system for the design and manufacture of development systems is ISO 9001:2000 certified.*

**QUALITY MANAGEMENT SYSTEM  
CERTIFIED BY DNV  
== ISO/TS 16949:2002 ==**



# MICROCHIP

## Worldwide Sales and Service

### AMERICAS

**Corporate Office**  
2355 West Chandler Blvd.  
Chandler, AZ 85224-6199  
Tel: 480-792-7200  
Fax: 480-792-7277  
Technical Support:  
<http://support.microchip.com>  
Web Address:  
[www.microchip.com](http://www.microchip.com)

**Atlanta**  
Duluth, GA  
Tel: 678-957-9614  
Fax: 678-957-1455

**Boston**  
Westborough, MA  
Tel: 774-760-0087  
Fax: 774-760-0088

**Chicago**  
Itasca, IL  
Tel: 630-285-0071  
Fax: 630-285-0075

**Cleveland**  
Independence, OH  
Tel: 216-447-0464  
Fax: 216-447-0643

**Dallas**  
Addison, TX  
Tel: 972-818-7423  
Fax: 972-818-2924

**Detroit**  
Farmington Hills, MI  
Tel: 248-538-2250  
Fax: 248-538-2260

**Kokomo**  
Kokomo, IN  
Tel: 765-864-8360  
Fax: 765-864-8387

**Los Angeles**  
Mission Viejo, CA  
Tel: 949-462-9523  
Fax: 949-462-9608

**Santa Clara**  
Santa Clara, CA  
Tel: 408-961-6444  
Fax: 408-961-6445

**Toronto**  
Mississauga, Ontario,  
Canada  
Tel: 905-673-0699  
Fax: 905-673-6509

### ASIA/PACIFIC

**Asia Pacific Office**  
Suites 3707-14, 37th Floor  
Tower 6, The Gateway  
Harbour City, Kowloon  
Hong Kong  
Tel: 852-2401-1200  
Fax: 852-2401-3431

**Australia - Sydney**  
Tel: 61-2-9868-6733  
Fax: 61-2-9868-6755

**China - Beijing**  
Tel: 86-10-8528-2100  
Fax: 86-10-8528-2104

**China - Chengdu**  
Tel: 86-28-8665-5511  
Fax: 86-28-8665-7889

**China - Chongqing**  
Tel: 86-23-8980-9588  
Fax: 86-23-8980-9500

**China - Hong Kong SAR**  
Tel: 852-2401-1200  
Fax: 852-2401-3431

**China - Nanjing**  
Tel: 86-25-8473-2460  
Fax: 86-25-8473-2470

**China - Qingdao**  
Tel: 86-532-8502-7355  
Fax: 86-532-8502-7205

**China - Shanghai**  
Tel: 86-21-5407-5533  
Fax: 86-21-5407-5066

**China - Shenyang**  
Tel: 86-24-2334-2829  
Fax: 86-24-2334-2393

**China - Shenzhen**  
Tel: 86-755-8203-2660  
Fax: 86-755-8203-1760

**China - Wuhan**  
Tel: 86-27-5980-5300  
Fax: 86-27-5980-5118

**China - Xian**  
Tel: 86-29-8833-7252  
Fax: 86-29-8833-7256

**China - Xiamen**  
Tel: 86-592-2388138  
Fax: 86-592-2388130

**China - Zhuhai**  
Tel: 86-756-3210040  
Fax: 86-756-3210049

### ASIA/PACIFIC

**India - Bangalore**  
Tel: 91-80-3090-4444  
Fax: 91-80-3090-4123

**India - New Delhi**  
Tel: 91-11-4160-8631  
Fax: 91-11-4160-8632

**India - Pune**  
Tel: 91-20-2566-1512  
Fax: 91-20-2566-1513

**Japan - Yokohama**  
Tel: 81-45-471- 6166  
Fax: 81-45-471-6122

**Korea - Daegu**  
Tel: 82-53-744-4301  
Fax: 82-53-744-4302

**Korea - Seoul**  
Tel: 82-2-554-7200  
Fax: 82-2-558-5932 or  
82-2-558-5934

**Malaysia - Kuala Lumpur**  
Tel: 60-3-6201-9857  
Fax: 60-3-6201-9859

**Malaysia - Penang**  
Tel: 60-4-227-8870  
Fax: 60-4-227-4068

**Philippines - Manila**  
Tel: 63-2-634-9065  
Fax: 63-2-634-9069

**Singapore**  
Tel: 65-6334-8870  
Fax: 65-6334-8850

**Taiwan - Hsin Chu**  
Tel: 886-3-6578-300  
Fax: 886-3-6578-370

**Taiwan - Kaohsiung**  
Tel: 886-7-213-7830  
Fax: 886-7-330-9305

**Taiwan - Taipei**  
Tel: 886-2-2500-6610  
Fax: 886-2-2508-0102

**Thailand - Bangkok**  
Tel: 66-2-694-1351  
Fax: 66-2-694-1350

### EUROPE

**Austria - Wels**  
Tel: 43-7242-2244-39  
Fax: 43-7242-2244-393

**Denmark - Copenhagen**  
Tel: 45-4450-2828  
Fax: 45-4485-2829

**France - Paris**  
Tel: 33-1-69-53-63-20  
Fax: 33-1-69-30-90-79

**Germany - Munich**  
Tel: 49-89-627-144-0  
Fax: 49-89-627-144-44

**Italy - Milan**  
Tel: 39-0331-742611  
Fax: 39-0331-466781

**Netherlands - Drunen**  
Tel: 31-416-690399  
Fax: 31-416-690340

**Spain - Madrid**  
Tel: 34-91-708-08-90  
Fax: 34-91-708-08-91

**UK - Wokingham**  
Tel: 44-118-921-5869  
Fax: 44-118-921-5820

08/04/10

# PIC24FJXXXDA1/DA2/GB2/GA3

---

---

Device Overview	1
Programming Overview of the PIC24FJXXXDA1/DA2/GB2/ GA3 Families	1
Device Programming – ICSP	14
Device Programming – Enhanced ICSP	29
The Programming Executive	42
Device Details	54
AC/DC Characteristics and Timing Requirements	56

# Mouser Electronics

Authorized Distributor

Click to View Pricing, Inventory, Delivery & Lifecycle Information:

## Microchip:

[PIC24FJ128GA310-I/BG](#) [PIC24FJ128GA310-I/PF](#) [PIC24FJ128GA310-I/PT](#) [PIC24FJ64GA306-I/MR](#)  
[PIC24FJ64GA306-I/PT](#) [PIC24FJ64GA308-I/PT](#) [PIC24FJ64GA310-I/BG](#) [PIC24FJ64GA310-I/PF](#) [PIC24FJ64GA310-I/PT](#)