

POWER MANAGEMENT

Features

- Input Voltage as Low as 1.4V
- 400mV Dropout @ 2A
- Adjustable Output from 0.5V
- 1ms Internal Soft-Start Minimizes Inrush Current
- Over Current and Over Temperature Protection
- Enable Function Option
- 10µA Quiescent Current in Shutdown
- Reverse Blocking from Output to Input
- Full Industrial Temperature Range
- Fully WEEE and RoHS Compliant

Applications

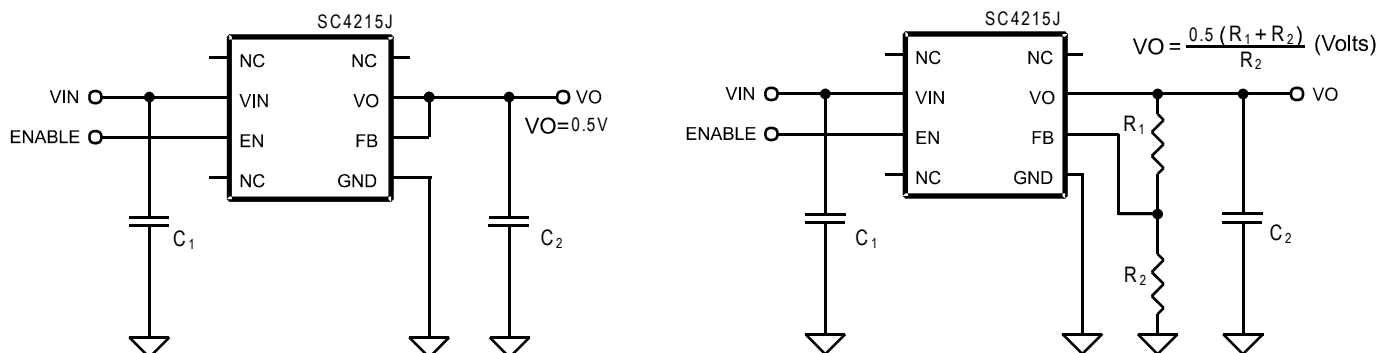
- Telecom and Networking Cards
- Motherboards and Peripheral Cards
- Industrial Applications
- Wireless Infrastructure
- Medical Equipment

Description

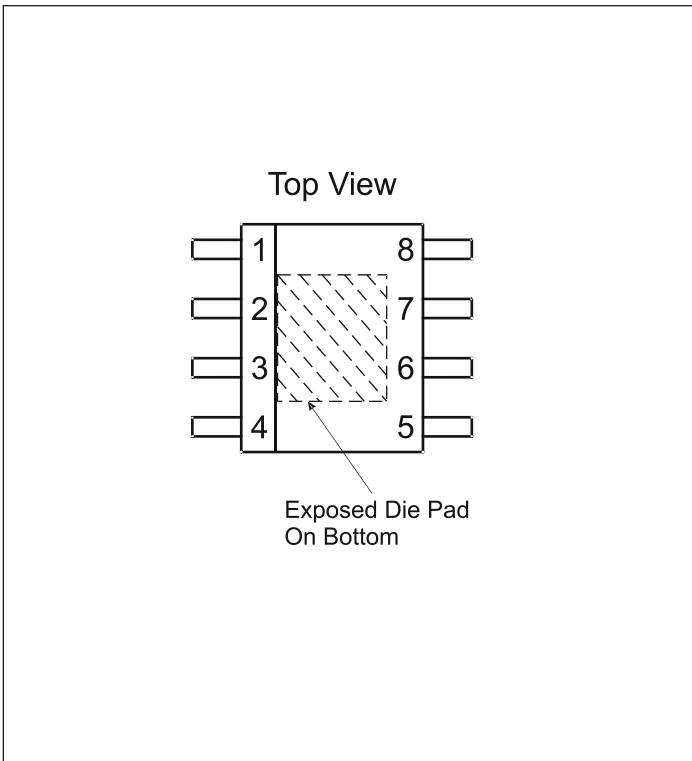
The SC4215J is a high performance positive voltage regulator designed for use in applications requiring very low input voltage and very low dropout voltage at up to 2 amperes. It operates with a V_{in} as low as 1.4V, with output voltage programmable as low as 0.5V. The SC4215J features ultra low dropout, ideal for applications where V_{out} is very close to V_{in} . Additionally, the SC4215J has an enable pin to further reduce power dissipation while shut down. The SC4215J provides excellent regulation over variations in line, load and temperature.

The SC4215J is available in the SOIC-8-EDP (Exposed Die Pad) package. The output voltage can be set via an external divider or to a fixed setting of 0.5V depending upon how the FB pin is configured.

Typical Application Circuit



Pin Configuration



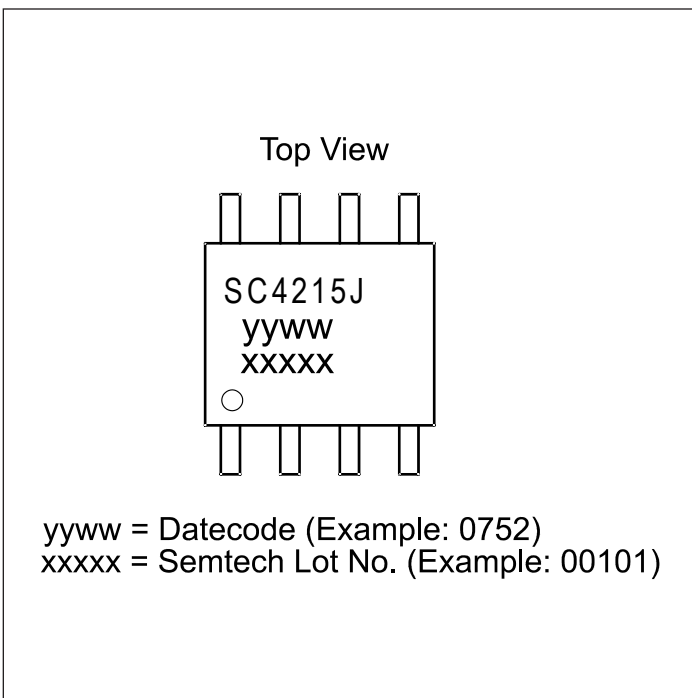
Ordering Information

| Device | Package |
|--------------------------------|------------------|
| SC4215JSETRT ⁽¹⁾⁽²⁾ | SOIC-8-EDP |
| SC4215JEVB | Evaluation Board |

Notes:

- (1) Available in tape and reel only. A reel contains 2,500 devices.
- (2) Available in lead-free package only. Device is WEEE and RoHS compliant and halogen free.

Marking Information



Absolute Maximum Ratings

| | |
|--|--------------------|
| V _{IN} , EN, VO, FB to GND (V) | -0.3 to +7.0 |
| Power Dissipation | Internally Limited |
| ESD Protection Level ⁽¹⁾ (kV) | 4 |

Recommended Operating Conditions

| | |
|---------------------------------|----------------------------|
| V _{IN} (V) | $1.4 \leq V_{IN} \leq 6.0$ |
| Junction Temperature Range (°C) | $-40 \leq T_J \leq +125$ |
| Maximum Output Current (A) | 2 |

Thermal Information

| | |
|---|-------------|
| Thermal Resistance, Junction to Ambient ⁽²⁾ (°C/W) | 36 |
| Thermal Resistance, Junc to Case ⁽²⁾ (°C/W) | 5.5 |
| Maximum Junction Temperature (°C) | +150 |
| Storage Temperature Range (°C) | -65 to +150 |
| Peak IR Reflow Temperature (10s to 30s) (°C) | +260 |

Exceeding the above specifications may result in permanent damage to the device or device malfunction. Operation outside of the parameters specified in the Electrical Characteristics section is not recommended.

NOTES:

- (1) Tested according to JEDEC standard JESD22-A114-B.
- (2) Calculated from package in still air, mounted to 3" x 4.5", 4 layer FR4 PCB with thermal vias under the exposed pad per JESD51 standards.

Electrical Characteristics

Unless specified: V_{EN} = V_{IN}, V_{FB} = V_O, V_{IN} = 1.40V to 6.0V, I_O = 10μA to 2A, T_J = 25° C.
 Values in bold apply over the full operating temperature range.

| Parameter | Symbol | Conditions | Min | Typ | Max | Units |
|--|-----------------|--|-------------------------------|-----|------------|-------|
| V _{IN} Operating Range ⁽¹⁾ | | | 1.4 | | 6.0 | V |
| Quiescent Current | I _Q | V _{IN} = 3.3V, I _O = 0A | | | 3 | mA |
| | | V _{IN} = 6.0V, V _{EN} = 0V | | 10 | 50 | μA |
| Dropout Voltage ⁽²⁾⁽³⁾ | V _{DO} | I _O = 1A | 1.4V ≤ V _{IN} < 1.6V | 90 | 400 | mV |
| | | | 1.6V ≤ V _{IN} ≤ 6.0V | | 200 | |
| | | I _O = 1.5A | 1.4V ≤ V _{IN} < 1.6V | 200 | 500 | |
| | | | 1.6V ≤ V _{IN} ≤ 6.0V | | 300 | |
| | | I _O = 2A | 1.4V ≤ V _{IN} < 1.6V | 300 | 600 | |
| | | | 1.6V ≤ V _{IN} ≤ 6.0V | | 400 | |
| Minimum Load Current ⁽⁴⁾ | I _O | | | | 10 | μA |
| Current Limit | I _{CL} | | 2.1 | 3 | 4.4 | A |

Electrical Characteristics (continued)

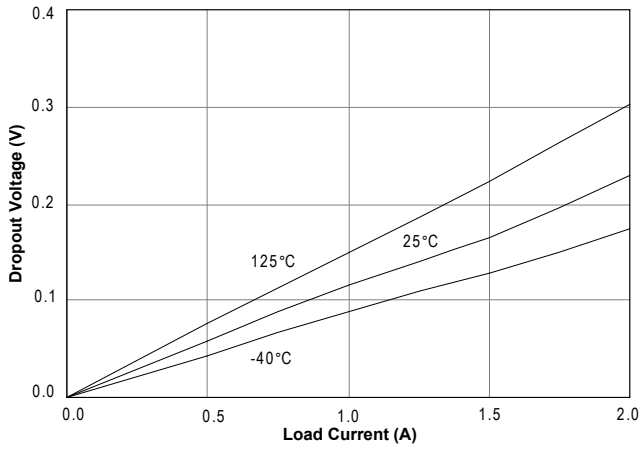
| Parameter | Symbol | Conditions | Min | Typ | Max | Units |
|------------------------------------|------------|------------------------------|--------------|--------------|--------------|-------------|
| Feedback | | | | | | |
| Reference Voltage ⁽²⁾ | V_{REF} | $V_{IN} = 3.3V, I_o = 10mA$ | 0.495 | 0.500 | 0.505 | V |
| | | | 0.490 | | 0.510 | |
| | | | 0.485 | 0.515 | | |
| Line Regulation | | $I_o = 10mA$ | | 0.2 | | %/V |
| Load Regulation ⁽⁵⁾ | | $I_o = 10mA$ to 2A | | 0.3 | | % |
| Feedback Pin Current | | $V_{FB} = V_{REF}$ | | 80 | 200 | nA |
| EN | | | | | | |
| Enable Pin Current | I_{EN} | $V_{EN} = 0V, V_{IN} = 3.3V$ | | 1.5 | 10 | μA |
| Enable Pin Threshold | V_{IH} | $V_{IN} = 3.3V$ | 1.6 | | | V |
| | V_{IL} | | | | 0.4 | |
| Over Temperature Protection | | | | | | |
| High Trip Level | T_{HI} | | | 160 | | $^{\circ}C$ |
| Hysteresis | T_{HYST} | | | 10 | | $^{\circ}C$ |
| Soft-Start | | | | | | |
| Soft-Start Time ⁽⁶⁾ | t_{SS} | | 0.7 | 1 | | ms |

Notes:

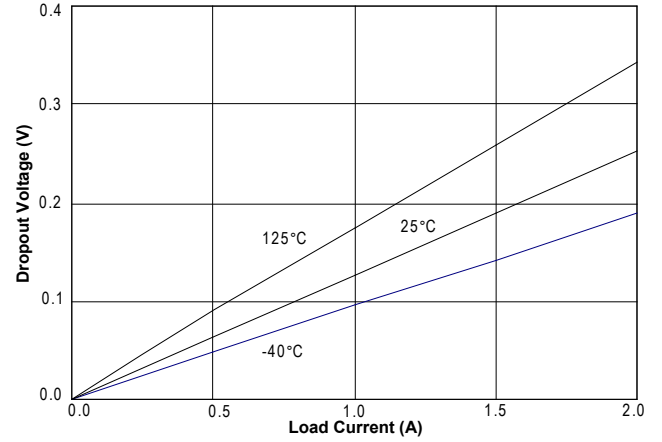
- (1) Minimum $V_{IN} = V_{OUT} + V_{DO}$ or 1.4V, whichever is greater.
- (2) Low duty cycle pulse testing with Kelvin connections required.
- (3) $V_{DO} = V_{IN} - V_o$ when V_o decreases by 1.5% of its nominal output voltage with $V_{IN} = V_o + 0.8V$.
- (4) Required to maintain regulation. Voltage set resistors R_1 and R_2 are usually utilized to meet this requirement.
- (5) Where the power dissipation does not exceed the maximum rating of the package. Refer to Figure 1 on page 8.
- (6) Time taken for the output to rise from 0% to 95% of the programmed output voltage.

Typical Characteristics

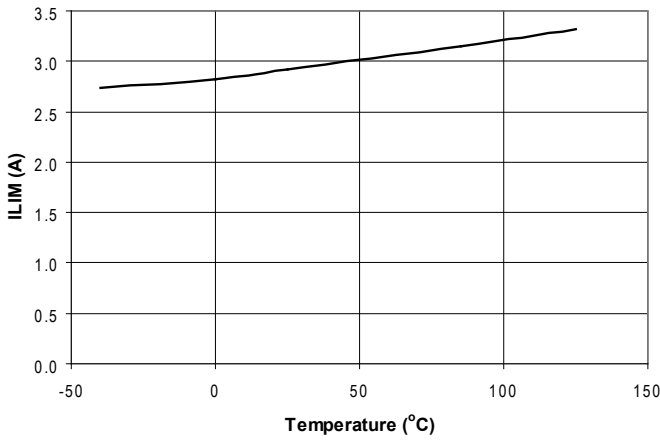
Dropout Voltage at $V_o = 3.3V$



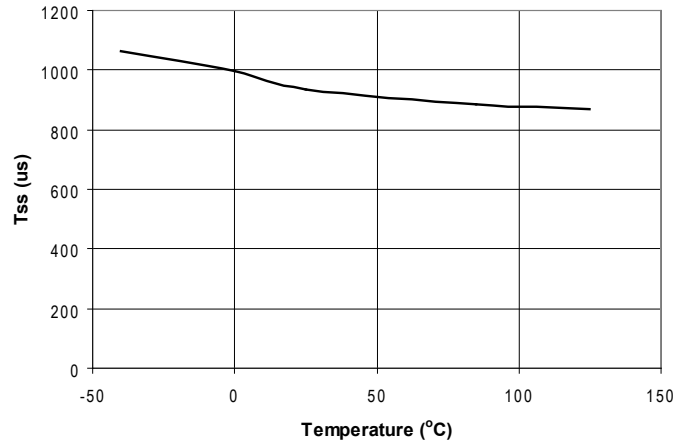
Dropout Voltage at $V_o = 1.5V$



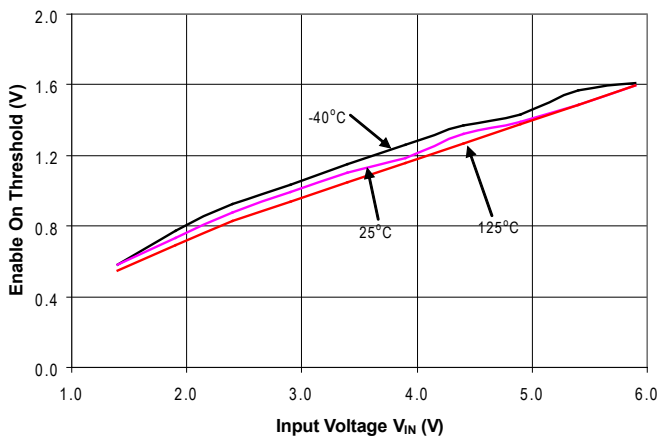
Current Limit vs Temperature



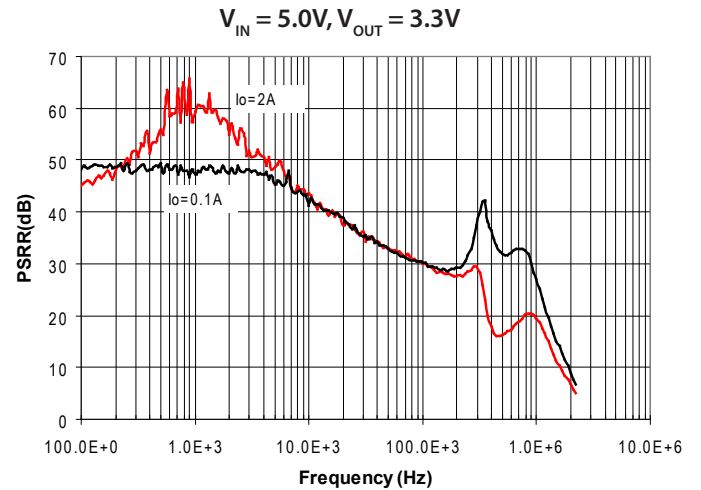
Startup Time vs Temperature



EN Threshold vs V_{IN}



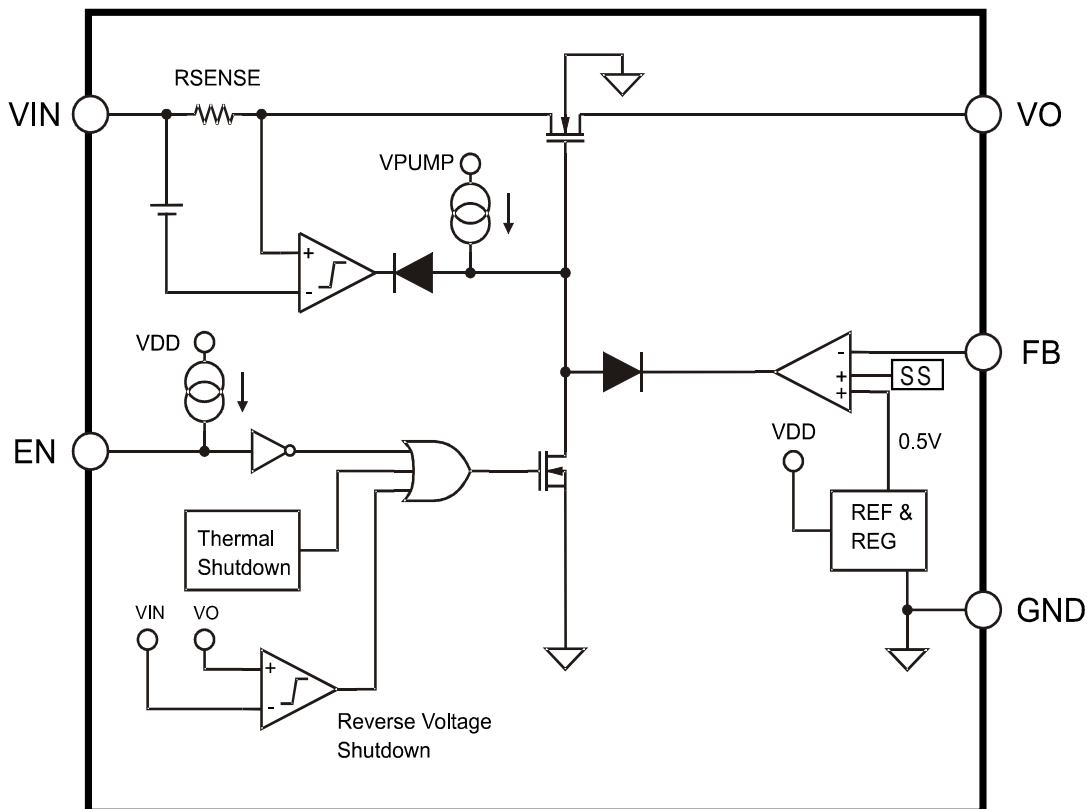
Power-Supply Ripple Rejection vs Frequency



Pin Descriptions

| Pin # | Pin Name | Pin Function |
|---------|-------------|--|
| 2 | EN | Enable input. Driving this pin high turns on the regulator. Driving this pin low shuts off the regulator. If not driven from a control circuit, tie this pin to the VIN pin. |
| 3 | VIN | Input supply pin. A large bulk capacitance should be placed close to this pin to ensure that the input supply does not sag below the minimum V_{IN} . Also a minimum of 4.7uF ceramic capacitor should be placed directly at this pin. |
| 6 | VO | Regulator output pin. Refer to the Applications Information section for output capacitor selection. |
| 7 | FB | Inverting input of the error amplifier. This pin is used to set the output voltage (See typical Application Circuits on page 1). |
| 8 | GND | Ground pin. |
| 1, 4, 5 | NC | No connection. |
| | THERMAL PAD | The exposed pad enhances thermal performance and is not electrically connected to GND inside the package. It is recommended to connect the exposed pad to the ground plane. |

Block Diagram



Applications Information

Introduction

The SC4215J is intended for applications where high current capability and very low dropout voltage are required. It provides a very simple, low cost solution that uses very little PCB area. Additional features include an enable pin to allow for a very low power consumption in standby mode, and a fully adjustable output.

Noise Immunity

In very electrically noisy environments, it is recommended that 0.1µF ceramic capacitors be placed from VIN to GND and VO to GND as close to the device pins as possible.

V_o Setting: V_o=V_{REF}

By connecting the FB pin directly to the VO pin, the output voltage will be regulated to the 0.5V internal reference.

V_o Setting with External Resistors

The use of 1% resistors, and designing for a current flow ≥ 10µA is recommended to ensure a well regulated output (thus R₂ ≤ 50kΩ). A suitable value for R₂ can be chosen in the range of 1kΩ to 50kΩ. R₁ can then be calculated from.

$$R_1 = R_2 \cdot \frac{(V_o - V_{REF})}{V_{REF}}$$

Enable

Pulling this pin below 0.4V turns the regulator off, reducing the quiescent current to a fraction of its operating value. Driving this pin high enables the regulator. A pull up resistor up to 400kΩ should be connected from this pin to the VIN pin in applications where the Enable pin is not driven from a control circuit.

Input Capacitor

A large bulk capacitance ≥ 10µF/A (output load) should be placed close to the input supply pin of the SC4215J to ensure that V_{IN} does not drop below the minimum V_{IN}. Also a minimum of 4.7µF ceramic capacitor is recommended to be placed directly next to the VIN pin. This allows for the

device being some distance from any bulk capacitance on the rail. Additionally, the input droop due to load transients is reduced, improving load transient response. Additional capacitance may be added if required by the application.

Output Capacitor

A minimum bulk capacitance of 10µF/A (output load), along with a 0.1µF ceramic decoupling capacitor is recommended. For V_o less than 0.6V, a minimum bulk capacitance of 40µF, along with a 0.1µF ceramic decoupling capacitor is recommended. The use of multiple lower value ceramic capacitors in parallel to achieve the desired bulk capacitance will not cause stability issues. Although designed for use with ceramic output capacitors, the SC4215J is extremely tolerant of output capacitor ESR values and thus will also work comfortably with tantalum output capacitors.

Soft-Start

The soft-start is achieved by using a voltage ramp as the voltage reference for the internal error amplifier during startup. This voltage ramp is created by an internal current source charging an internal soft-start capacitor. When the voltage ramp reaches 500mV, the voltage reference for the internal error amplifier switches to the fixed 500mV V_{REF}. Thus, during soft-start, the output tracks the internal voltage ramp, which limits the input inrush current and provides a programmed soft-start profile for a wide range of applications.

Over-Current and Thermal Shutdown

The over-current protection and thermal shutdown functions protect the regulator against damage due to excessive power dissipation. The SC4215J is designed to current limit when the output current reaches 3A (typical). When the load exceeds 3A, the output voltage is reduced to maintain a constant current limit.

The thermal shutdown function limits the junction temperature to a maximum of 160°C (typical). Thermal shutdown turns off the regulator as the junction temperature begins to exceed 160°C. When the junction temperature

Applications Information (Cont.)

drops below 150°C (typical), the regulator is turned on again.

Thermal Considerations

The power dissipation in the SC4215J is given by the following equation:

$$P_D \approx I_O(V_{IN} - V_O)$$

The allowable power dissipation will be dependant upon the thermal impedance achieved in the application. The derating curve below is valid for the thermal impedance specified in the Thermal Information section on page 3.

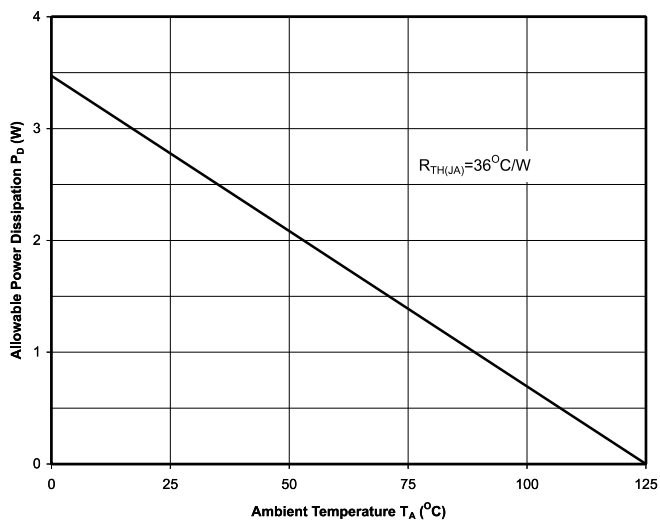
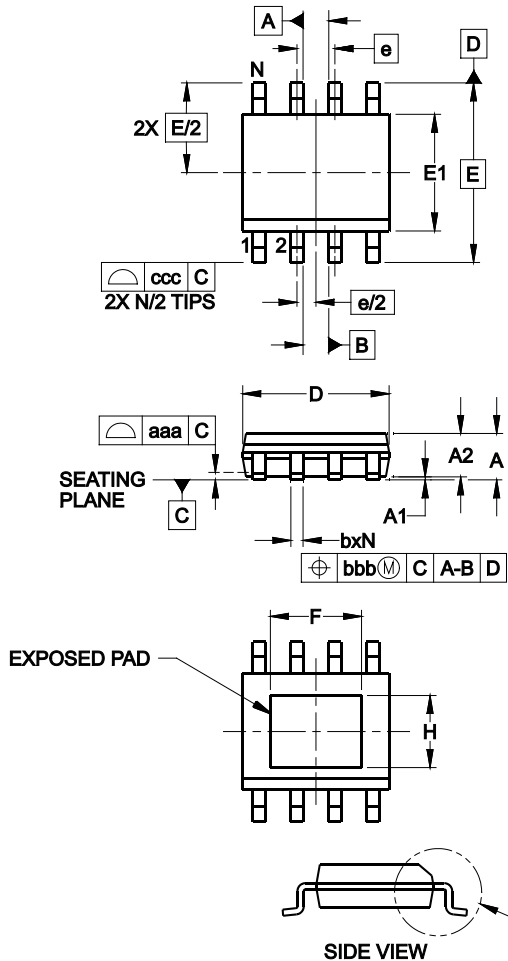


Figure 1. Power Derating Curve

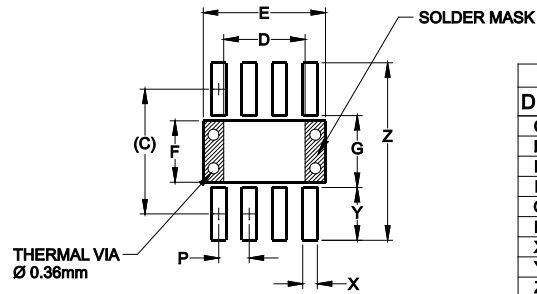
Outline Drawing — SOIC-8-EDP-2



| DIM | INCHES | | | MILLIMETERS | | |
|------------|----------|------|------|-------------|------|------|
| | MIN | NOM | MAX | MIN | NOM | MAX |
| A | .053 | - | .069 | 1.35 | - | 1.75 |
| A1 | .000 | - | .005 | 0.00 | - | 0.13 |
| A2 | .049 | - | .065 | 1.25 | - | 1.65 |
| b | .012 | - | .020 | 0.31 | - | 0.51 |
| c | .007 | - | .010 | 0.17 | - | 0.25 |
| D | .189 | .193 | .197 | 4.80 | 4.90 | 5.00 |
| E1 | .150 | .154 | .157 | 3.80 | 3.90 | 4.00 |
| E | .236 BSC | | | 6.00 BSC | | |
| e | .050 BSC | | | 1.27 BSC | | |
| F | .116 | .120 | .130 | 2.95 | 3.05 | 3.30 |
| H | .085 | .095 | .099 | 2.15 | 2.41 | 2.51 |
| h | .010 | - | .020 | 0.25 | - | 0.50 |
| L | .016 | .028 | .041 | 0.40 | 0.72 | 1.04 |
| L1 | (0.041) | | | (1.05) | | |
| N | 8 | | | 8 | | |
| $\theta 1$ | 0° | - | 8° | 0° | - | 8° |
| aaa | .004 | | | 0.10 | | |
| bbb | .010 | | | 0.25 | | |
| ccc | .008 | | | 0.20 | | |

NOTES:

1. CONTROLLING DIMENSIONS ARE IN MILLIMETERS (ANGLES IN DEGREES).
2. DATUMS **-A-** AND **-B-** TO BE DETERMINED AT DATUM PLANE **-H-**
3. DIMENSIONS "E1" AND "D" DO NOT INCLUDE MOLD FLASH, PROTRUSIONS OR GATE BURRS.
4. REFERENCE JEDEC STD MS-012, VARIATION BA.

Land Pattern — SOIC-8-EDP-2


| DIMENSIONS | | |
|------------|--------|-------------|
| DIM | INCHES | MILLIMETERS |
| C | (.205) | (5.20) |
| D | .134 | 3.40 |
| E | .201 | 5.10 |
| F | .101 | 2.56 |
| G | .118 | 3.00 |
| P | .050 | 1.27 |
| X | .024 | 0.60 |
| Y | .087 | 2.20 |
| Z | .291 | 7.40 |

NOTES:

1. THIS LAND PATTERN IS FOR REFERENCE PURPOSES ONLY. CONSULT YOUR MANUFACTURING GROUP TO ENSURE YOUR COMPANY'S MANUFACTURING GUIDELINES ARE MET.
2. REFERENCE IPC-SM-782A, RLP NO. 300A.
3. THERMAL VIAS IN THE LAND PATTERN OF THE EXPOSED PAD SHALL BE CONNECTED TO A SYSTEM GROUND PLANE. FAILURE TO DO SO MAY COMPROMISE THE THERMAL AND/OR FUNCTIONAL PERFORMANCE OF THE DEVICE.



© Semtech 2012

All rights reserved. Reproduction in whole or in part is prohibited without the prior written consent of the copyright owner. The information presented in this document does not form part of any quotation or contract, is believed to be accurate and reliable and may be changed without notice. No liability will be accepted by the publisher for any consequence of its use. Publication thereof does not convey nor imply any license under patent or other industrial or intellectual property rights. Semtech assumes no responsibility or liability whatsoever for any failure or unexpected operation resulting from misuse, neglect improper installation, repair or improper handling or unusual physical or electrical stress including, but not limited to, exposure to parameters beyond the specified maximum ratings or operation outside the specified range.

SEMTECH PRODUCTS ARE NOT DESIGNED, INTENDED, AUTHORIZED OR WARRANTED TO BE SUITABLE FOR USE IN LIFE-SUPPORT APPLICATIONS, DEVICES OR SYSTEMS OR OTHER CRITICAL APPLICATIONS. INCLUSION OF SEMTECH PRODUCTS IN SUCH APPLICATIONS IS UNDERSTOOD TO BE UNDERTAKEN SOLELY AT THE CUSTOMER'S OWN RISK. Should a customer purchase or use Semtech products for any such unauthorized application, the customer shall indemnify and hold Semtech and its officers, employees, subsidiaries, affiliates, and distributors harmless against all claims, costs damages and attorney fees which could arise.

Notice: All referenced brands, product names, service names and trademarks are the property of their respective owners.

Contact Information

Semtech Corporation
Power Management Products Division
200 Flynn Road, Camarillo, CA 93012
Phone: (805) 498-2111 Fax: (805) 498-3804

www.semtech.com

Mouser Electronics

Authorized Distributor

Click to View Pricing, Inventory, Delivery & Lifecycle Information:

[Semtech:](#)

[SC4215JSETRT](#)