

## HIGH VOLTAGE NPN POWER TRANSISTOR

- n HIGH VOLTAGE SPECIAL DARLINGTON STRUCTURE
- n VERY RUGGED BIPOLAR TECHNOLOGY
- n HIGH OPERATION JUNCTION TEMPERATURE
- n HIGH DC CURRENT GAIN

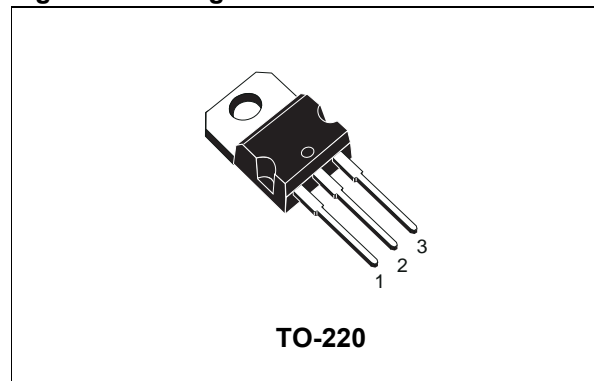
### APPLICATIONS

- n DRIVER FOR SOLENOID, RELAY AND MOTOR

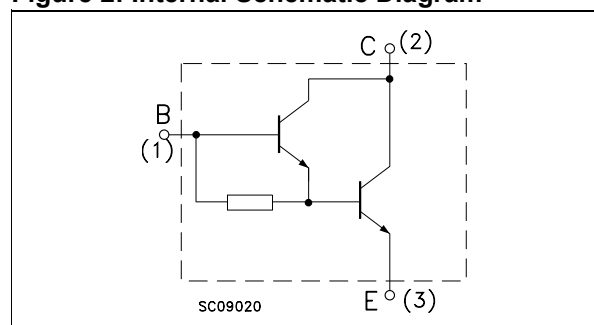
### DESCRIPTION

The 2ST501T is a High Voltage NPN silicon transistor in monolithic special Darlington configuration mounted in Jedec TO-220 plastic package.

**Figure 1: Package**



**Figure 2: Internal Schematic Diagram**



**Table 1: Order Codes**

Part Number	Marking	Package	Packaging
2ST501T	2ST501T	TO-220	TUBE

**Table 2: Absolute Maximum Ratings**

Symbol	Parameter	Value	Unit
$V_{CES}$	Collector-Emitter Voltage ( $V_{BE} = 0$ )	500	V
$V_{CEO}$	Collector-Emitter Voltage ( $I_B = 0$ )	350	V
$V_{EBO}$	Emitter-Base Voltage ( $I_C = 0$ )	5	V
$I_C$	Collector Current	4	A
$I_{CM}$	Collector Peak Current ( $t_p < 5ms$ )	8	A
$I_B$	Base Current	0.5	A
$I_{BM}$	Base Peak Current ( $t_p < 5ms$ )	2.5	A
$P_{tot}$	Total Dissipation at $T_C = 25\text{ }^\circ\text{C}$	100	W
$T_{stg}$	Storage Temperature	-65 to 150	$^\circ\text{C}$
$T_J$	Max. Operating Junction Temperature	150	$^\circ\text{C}$

## 2ST501T

**Table 3: Thermal Data**

$R_{thj-case}$	Thermal Resistance Junction-Case	Max	1.25	$^{\circ}C/W$
----------------	----------------------------------	-----	------	---------------

**Table 4: Electrical Characteristics ( $T_{case} = 25^{\circ}C$  unless otherwise specified)**

Symbol	Parameter	Test Conditions		Min.	Typ.	Max.	Unit
$I_{CES}$	Collector Cut-off Current ( $I_E = 0$ )	$V_{CE} = 500 V$				100	$\mu A$
		$V_{CE} = 500 V$	$T_{case} = 125^{\circ}C$			500	$\mu A$
$I_{CEO}$	Collector Cut-off Current ( $I_B = 0$ )	$V_{CE} = 350 V$				100	$\mu A$
		$V_{CE} = 350 V$	$T_{case} = 125^{\circ}C$			500	$\mu A$
$I_{EBO}$	Emitter Cut-off Current ( $I_C = 0$ )	$V_{EB} = 5 V$				10	$\mu A$
$V_{CEO(sus)}^*$	Collector-Emitter Sustaining Voltage ( $I_B = 0$ )	$I_C = 10 mA$	$L = 10 mH$	350			V
$V_{CE(sat)}^*$	Collector-Emitter Saturation Voltage	$I_C = 2 A$	$I_B = 2 mA$			1.5	V
$V_{BE(sat)}^*$	Base-Emitter Saturation Voltage	$I_C = 2 A$	$I_B = 2 mA$			2	V
$h_{FE}$	DC Current Gain	$I_C = 2 A$	$V_{CE} = 2 V$	2000			
$t_s$	INDUCTIVE LOAD Storage Time	$V_{CC} = 12 V$	$V_{clamp} = 250 V$				
		$L = 4 mH$	$I_C = 2 A$		15		$\mu s$
$t_f$	Fall Time	$I_B = 20 mA$	$V_{BE} = -3 V$		1.5		$\mu s$

\* Pulsed: Pulsed duration = 300  $\mu s$ , duty cycle  $\leq 1.5\%$ .

Figure 3: DC Current Gain

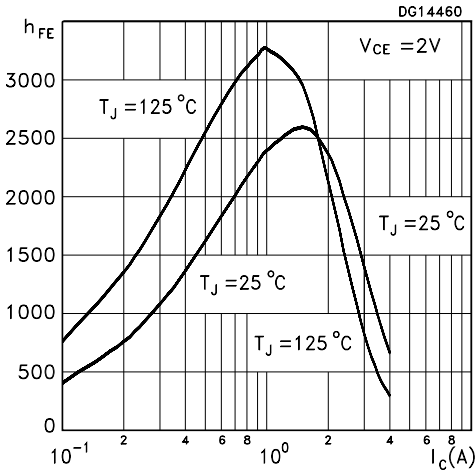


Figure 4: Collector-Source On Voltage

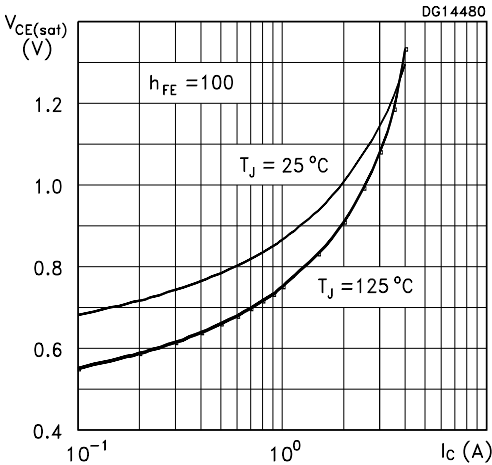


Figure 5: DC Current Gain

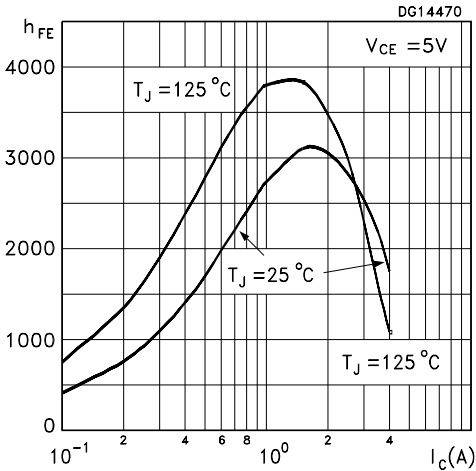
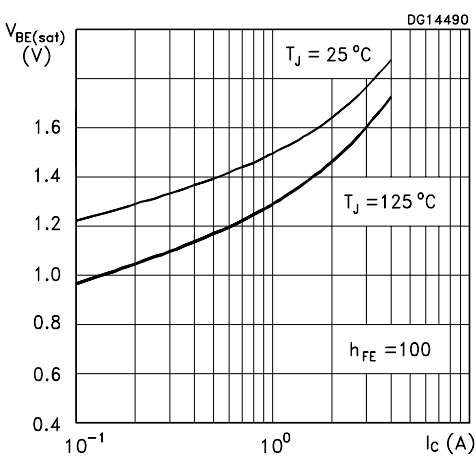
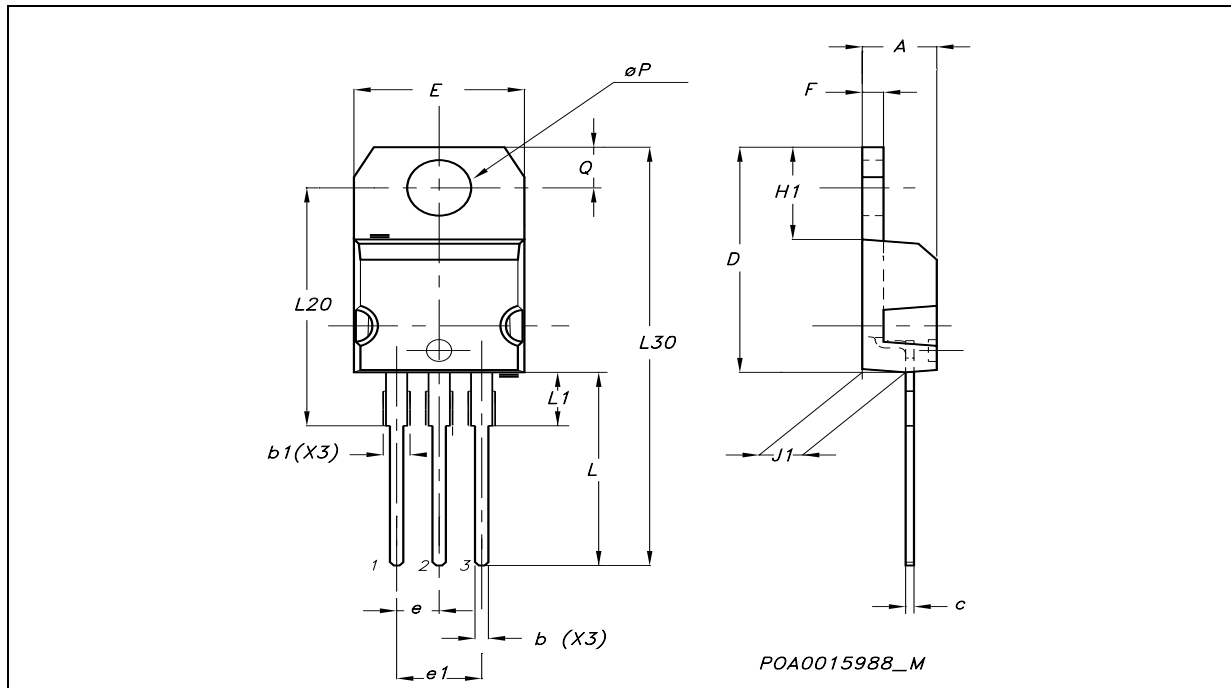


Figure 6: Base-Source On Voltage



**TO-220 MECHANICAL DATA**

DIM.	mm.			inch		
	MIN.	TYP	MAX.	MIN.	TYP.	MAX.
A	4.40		4.60	0.173		0.181
b	0.61		0.88	0.024		0.034
b1	1.15		1.70	0.045		0.066
c	0.49		0.70	0.019		0.027
D	15.25		15.75	0.60		0.620
E	10		10.40	0.393		0.409
e	2.40		2.70	0.094		0.106
e1	4.95		5.15	0.194		0.202
F	1.23		1.32	0.048		0.052
H1	6.20		6.60	0.244		0.256
J1	2.40		2.72	0.094		0.107
L	13		14	0.511		0.551
L1	3.50		3.93	0.137		0.154
L20		16.40			0.645	
L30		28.90			1.137	
øP	3.75		3.85	0.147		0.151
Q	2.65		2.95	0.104		0.116



**Table 5: Revision History**

<b>Version</b>	<b>Release Date</b>	<b>Change Designator</b>
25-Feb-2005	1	First Release.

Information furnished is believed to be accurate and reliable. However, STMicroelectronics assumes no responsibility for the consequences of use of such information nor for any infringement of patents or other rights of third parties which may result from its use. No license is granted by implication or otherwise under any patent or patent rights of STMicroelectronics. Specifications mentioned in this publication are subject to change without notice. This publication supersedes and replaces all information previously supplied. STMicroelectronics products are not authorized for use as critical components in life support devices or systems without express written approval of STMicroelectronics.

The ST logo is a registered trademark of STMicroelectronics  
All other names are the property of their respective owners

© 2005 STMicroelectronics - All Rights Reserved

STMicroelectronics group of companies

Australia - Belgium - Brazil - Canada - China - Czech Republic - Finland - France - Germany - Hong Kong - India - Israel - Italy - Japan -  
Malaysia - Malta - Morocco - Singapore - Spain - Sweden - Switzerland - United Kingdom - United States of America  
[www.st.com](http://www.st.com)

# Mouser Electronics

Authorized Distributor

Click to View Pricing, Inventory, Delivery & Lifecycle Information:

[STMicroelectronics:](#)

[2ST501T](#)