



STP80NF03L

N-CHANNEL 30V - 0.004 Ω - 80A TO-220

STripFET™ II MOSFET

| TYPE | V _{DSS} | R _{DS(on)} | I _D |
|------------|------------------|---------------------|----------------|
| STP80NF03L | 30 V | < 0.0045 Ω | 80 A |

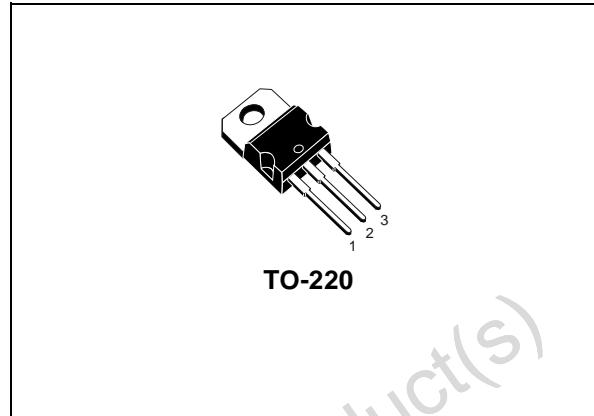
- TYPICAL R_{DS(on)} = 0.004 Ω
- EXCEPTIONAL dv/dt CAPABILITY
- 100% AVALANCHE TESTED
- LOW THRESHOLD DRIVE

DESCRIPTION

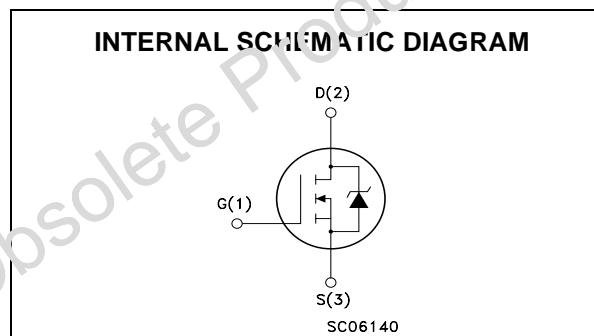
This Power MOSFET is the latest development of ST-Microelectronics unique "Single Feature Size™" strip-based process. The resulting transistor shows extremely high packing density for low on-resistance, rugged avalanche characteristics and less critical alignment steps therefore a remarkable manufacturing reproducibility.

APPLICATIONS

- HIGH CURRENT, HIGH SPEED SWITCHING
- MOTOR CONTROL, AUDIO AMPLIFIERS
- DC-DC & DC-AC CONVERTERS
- AUTOMOTIVE ENVIRONMENT
(INJECTION, ABS, AIR-BAG, LAMP DRIVERS
Etc.)



TO-220



ORDERING INFORMATION

| SALES TYPE | MARKING | PACKAGE | PACKAGING |
|------------|----------|---------|-----------|
| STP80NF03L | P80NF03L | TO-220 | TUBE |

STP80NF03L

ABSOLUTE MAXIMUM RATINGS

| Symbol | Parameter | Value | Unit |
|--------------|---|------------|---------------------|
| V_{DS} | Drain-source Voltage ($V_{GS} = 0$) | 30 | V |
| V_{DGR} | Drain-gate Voltage ($R_{GS} = 20 \text{ k}\Omega$) | 30 | V |
| V_{GS} | Gate-source Voltage | ± 20 | V |
| I_D (#) | Drain Current (continuous) at $T_C = 25^\circ\text{C}$ | 80 | A |
| I_D (#) | Drain Current (continuous) at $T_C = 100^\circ\text{C}$ | 80 | A |
| I_{DM} (●) | Drain Current (pulsed) | 320 | A |
| P_{TOT} | Total Dissipation at $T_C = 25^\circ\text{C}$ | 300 | W |
| | Derating Factor | 2.0 | W/ $^\circ\text{C}$ |
| dv/dt (1) | Peak Diode Recovery Voltage Slope | 2.0 | V/ns |
| T_{stg} | Storage Temperature | -65 to 175 | $^\circ\text{C}$ |
| T_j | Max. Operating Junction Temperature | 175 | $^\circ\text{C}$ |

(#) Current Limited by Package.

(●) Pulse width limited by safe operating area.

(1) $I_{SD} \leq 80\text{A}$, $di/dt \leq 240 \text{ A}/\mu\text{s}$, $V_{DD} = 24\text{V}$; $T_j \leq T_{JMAX}$.

THERMAL DATA

| | | | |
|-----------|--|------|---------------------------|
| Rthj-case | Thermal Resistance Junction-case Max | 0.5 | $^\circ\text{C}/\text{W}$ |
| Rthj-amb | Thermal Resistance Junction-ambient Max | 62.5 | $^\circ\text{C}/\text{W}$ |
| T_l | Maximum Lead Temperature For Soldering Purpose Typ | 300 | $^\circ\text{C}$ |

AVALANCHE CHARACTERISTICS

| Symbol | Parameter | Max Value | Unit |
|----------|---|-----------|------|
| I_{AR} | Avalanche Current, Repetitive or Not-Repetitive (pulse width limited by T_j max) | 40 | A |
| E_{AS} | Single Pulse Avalanche Energy (starting $T_j = 25^\circ\text{C}$, $I_D = I_{AR}$, $V_{DD} = 20 \text{ V}$) | 2.3 | J |

ELECTRICAL CHARACTERISTICS ($T_{CASE} = 25^\circ\text{C}$ UNLESS OTHERWISE SPECIFIED)

OFF/ON

| Symbol | Parameter | Test Conditions | Min. | Typ. | Max. | Unit |
|---------------|--|---|------|-----------------|------------------|--------------------------------|
| $V_{(BR)DSS}$ | Drain-source Breakdown Voltage | $I_D = 250 \mu\text{A}$, $V_{GS} = 0$ | 30 | | | V |
| I_{DSS} | Zero Gate Voltage Drain Current ($V_{GS} = 0$) | $V_{DS} = \text{Max Rating}$ $V_{DS} = \text{Max Rating}$, $T_C = 125^\circ\text{C}$ | | | 1 10 | μA μA |
| I_{GSS} | Gate-body Leakage Current ($V_{DS} = 0$) | $V_{GS} = \pm 20\text{V}$ | | | ± 100 | nA |
| $V_{GS(th)}$ | Gate Threshold Voltage | $V_{DS} = V_{GS}$, $I_D = 250 \mu\text{A}$ | 1 | 1.5 | 2.5 | V |
| $R_{DS(on)}$ | Static Drain-source On Resistance | $V_{GS} = 10 \text{ V}$, $I_D = 40 \text{ A}$ $V_{GS} = 4.5 \text{ V}$, $I_D = 40 \text{ A}$ | | 0.004 0.0045 | 0.0045 0.0065 | Ω Ω |

ELECTRICAL CHARACTERISTICS (CONTINUED)
DYNAMIC

| Symbol | Parameter | Test Conditions | Min. | Typ. | Max. | Unit |
|--------------|------------------------------|--|------|------|------|------|
| g_{fs} (1) | Forward Transconductance | $V_{DS} = 15\text{ V}, I_D = 15\text{ A}$ | | 50 | | S |
| C_{iss} | Input Capacitance | $V_{DS} = 25\text{ V}, f = 1\text{ MHz}, V_{GS} = 0$ | | 5500 | | pF |
| C_{oss} | Output Capacitance | | | 1670 | | pF |
| C_{rss} | Reverse Transfer Capacitance | | | 290 | | pF |

SWITCHING ON

| Symbol | Parameter | Test Conditions | Min. | Typ. | Max. | Unit |
|-------------|--------------------|---|------|------|------|------|
| $t_{d(on)}$ | Turn-on Delay Time | $V_{DD} = 15\text{ V}, I_D = 40\text{ A}$ $R_G = 4.7\ \Omega, V_{GS} = 4.5\text{ V}$ (Resistive Load, Figure 3) | | 30 | | ns |
| t_r | Rise Time | | | 270 | | ns |
| Q_g | Total Gate Charge | $V_{DD} = 24\text{ V}, I_D = 80\text{ A},$ $V_{GS} = 4.5\text{ V}$ | | 85 | 110 | nC |
| Q_{gs} | Gate-Source Charge | | | 23 | | nC |
| Q_{gd} | Gate-Drain Charge | | | 40 | | nC |

SWITCHING OFF

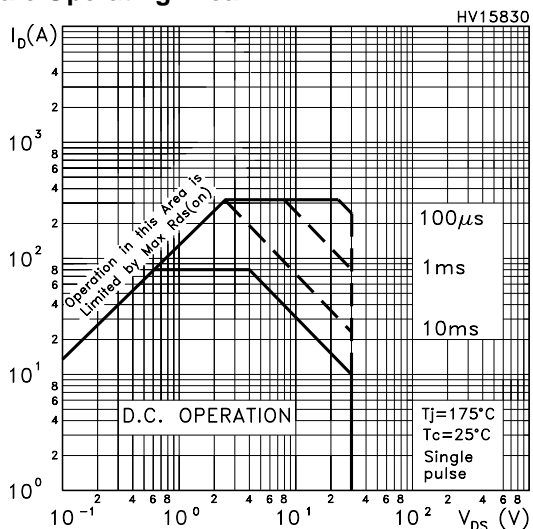
| Symbol | Parameter | Test Conditions | Min. | Typ. | Max. | Unit |
|----------------|-----------------------|---|------|------|------|------|
| $t_{d(off)}$ | Turn-off-Delay Time | $V_{DD} = 15\text{ V}, I_D = 40\text{ A},$ $R_G = 4.7\ \Omega, V_{GS} = 4.5\text{ V}$ (Resistive Load, Figure 3) | | 110 | | ns |
| t_f | Fall Time | | | 95 | | ns |
| $t_r(V_{off})$ | Off-Voltage Rise Time | $V_{clamp} = 24\text{ V}, I_D = 80\text{ A},$ $R_G = 4.7\ \Omega, V_{GS} = 4.5\text{ V}$ (Inductive Load, Figure 5) | | 125 | | ns |
| t_f | Fall Time | | | 75 | | ns |
| t_c | Cross-over Time | | | 125 | | ns |

SOURCE DRAIN DIODE

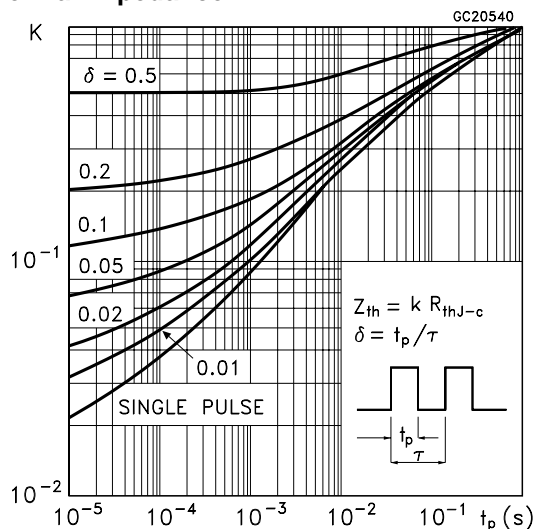
| Symbol | Parameter | Test Conditions | Min. | Typ. | Max. | Unit |
|---------------|-------------------------------|--|------|------|------|---------------|
| I_{SD} | Source-drain Current | | | | 80 | A |
| I_{SDM} (1) | Source-drain Current (pulsed) | | | | 320 | A |
| V_{SD} (2) | Forward On Voltage | $I_{SD} = 80\text{ A}, V_{GS} = 0$ | | | 1.5 | V |
| t_{rr} | Reverse Recovery Time | $I_{SD} = 80\text{ A}, di/dt = 100\text{ A}/\mu\text{s},$ $V_{DD} = 20\text{ V}, T_j = 150^\circ\text{C}$ (see test circuit, Figure 5) | | 75 | | ns |
| Q_{rr} | Reverse Recovery Charge | | | 0.15 | | μC |
| I_{RRM} | Reverse Recovery Current | | | 4 | | A |

Note: 1. Pulsed: Pulse duration = 300 μs , duty cycle 1.5 %.
 2. Pulse width limited by safe operating area.

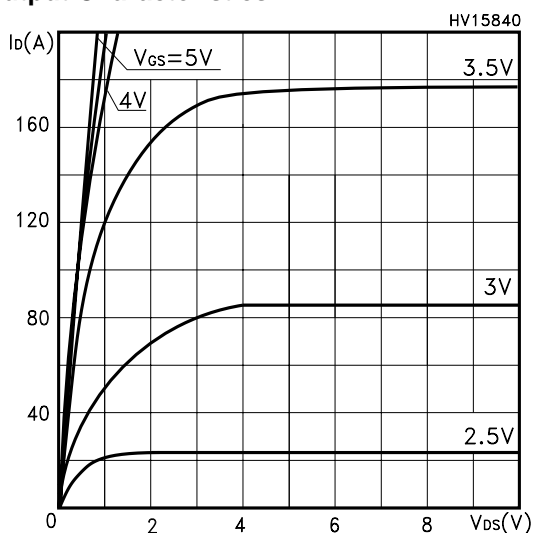
Safe Operating Area



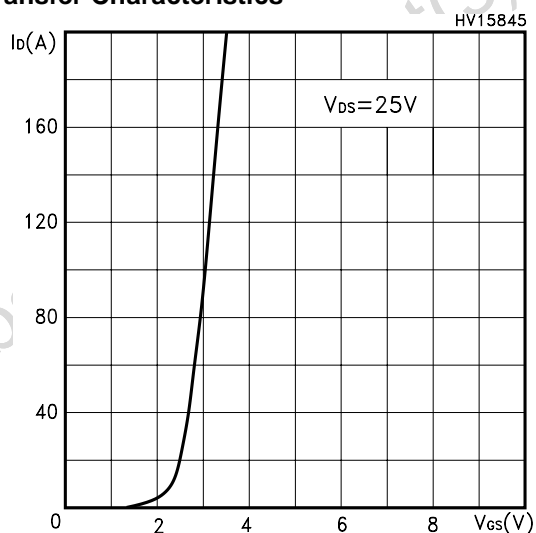
Thermal Impedance



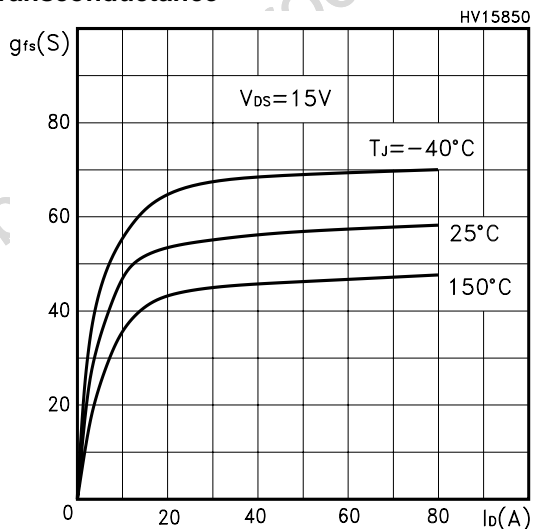
Output Characteristics



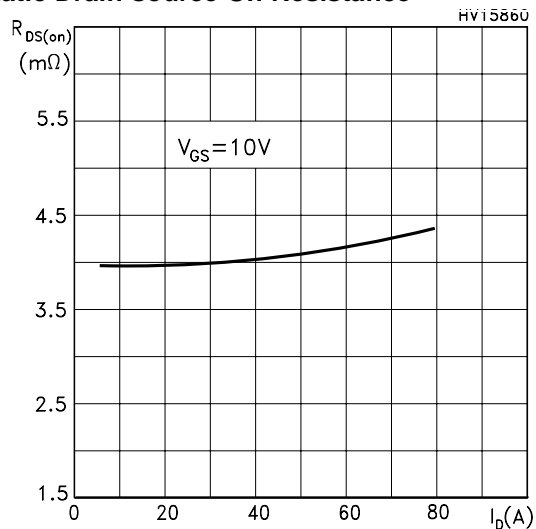
Transfer Characteristics



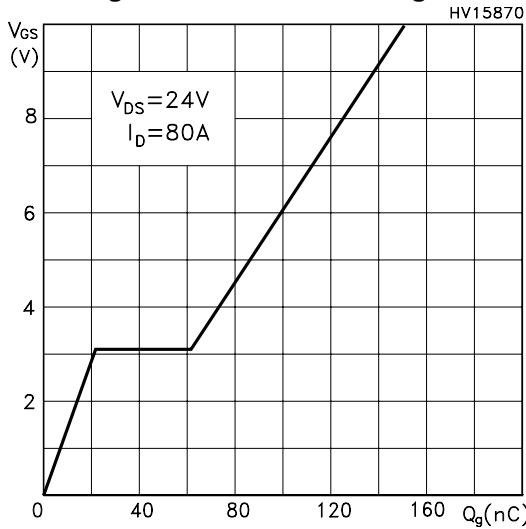
Transconductance



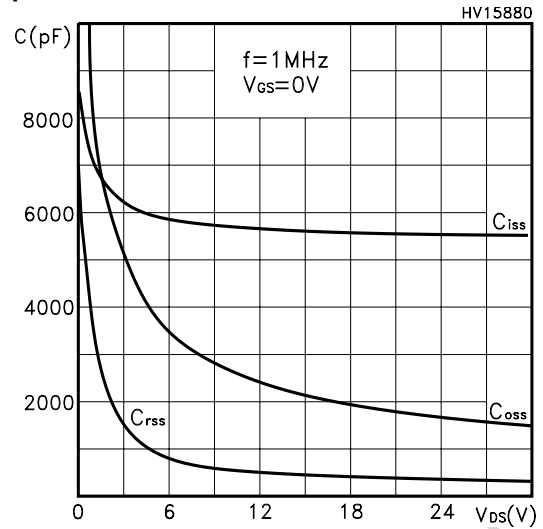
Static Drain-source On Resistance



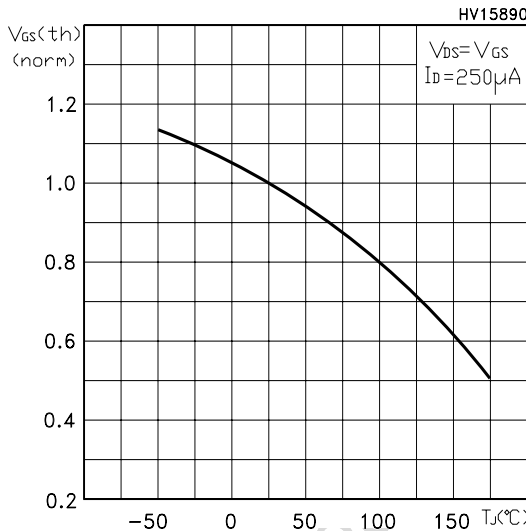
Gate Charge vs Gate-source Voltage



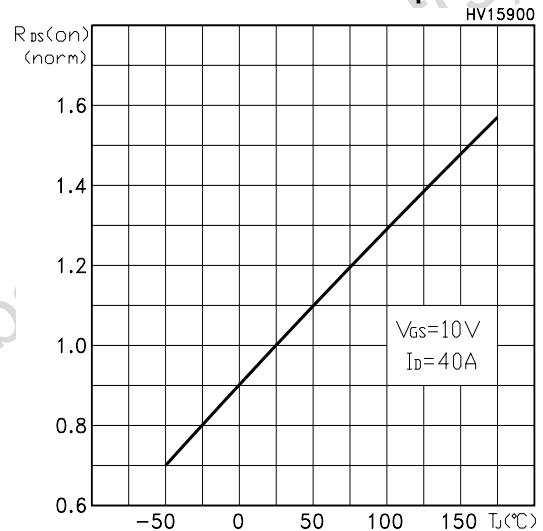
Capacitance Variations



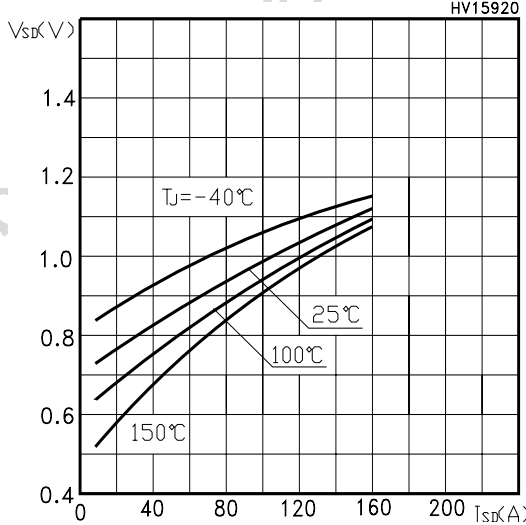
Normalized Gate Threshold Voltage vs Temp.



Normalized On Resistance vs Temperature



Source-drain Diode Forward Characteristics



Normalized Breakdown Voltage vs Temperature

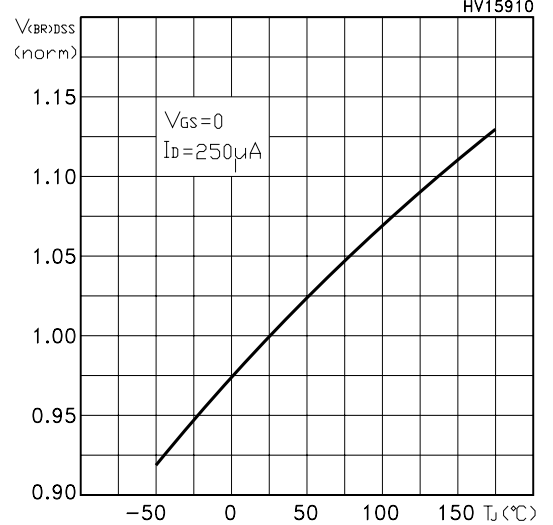


Fig. 1: Unclamped Inductive Load Test Circuit

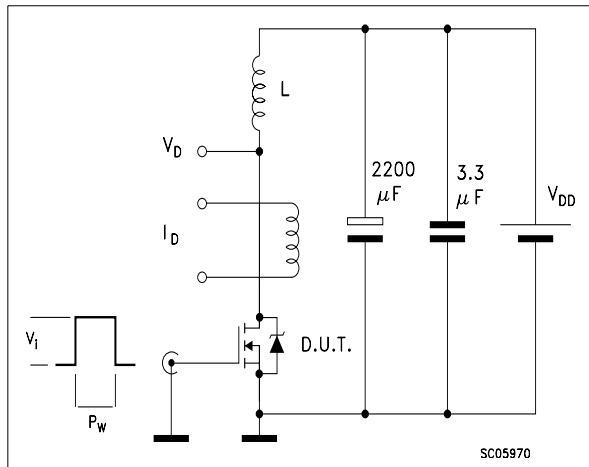


Fig. 2: Unclamped Inductive Waveform

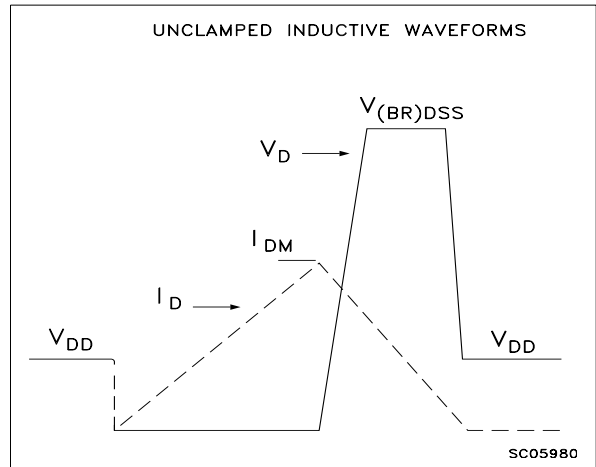


Fig. 3: Switching Times Test Circuit For Resistive Load

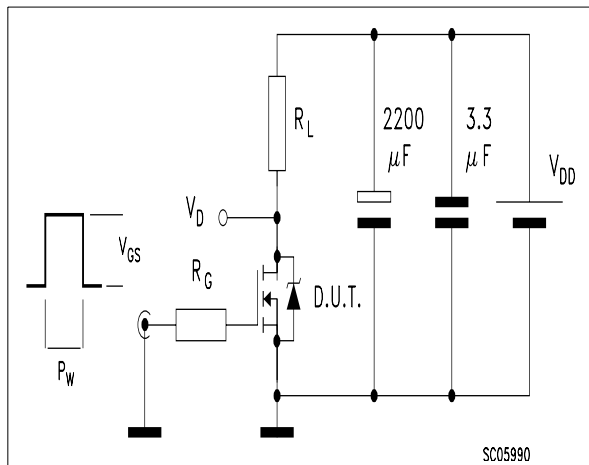


Fig. 4: Gate Charge test Circuit

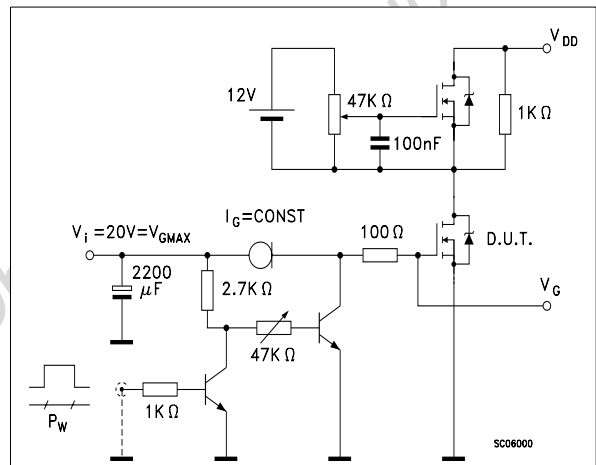
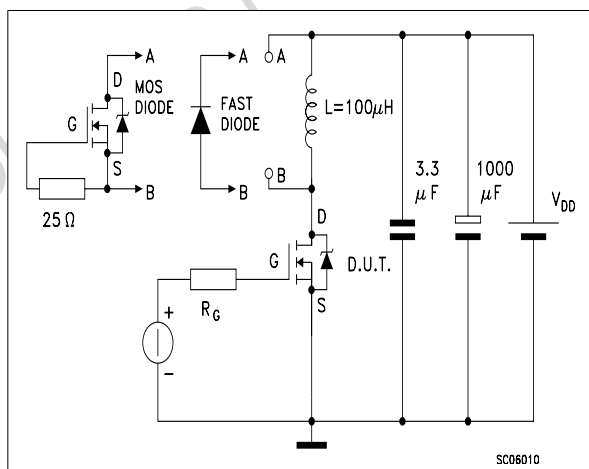
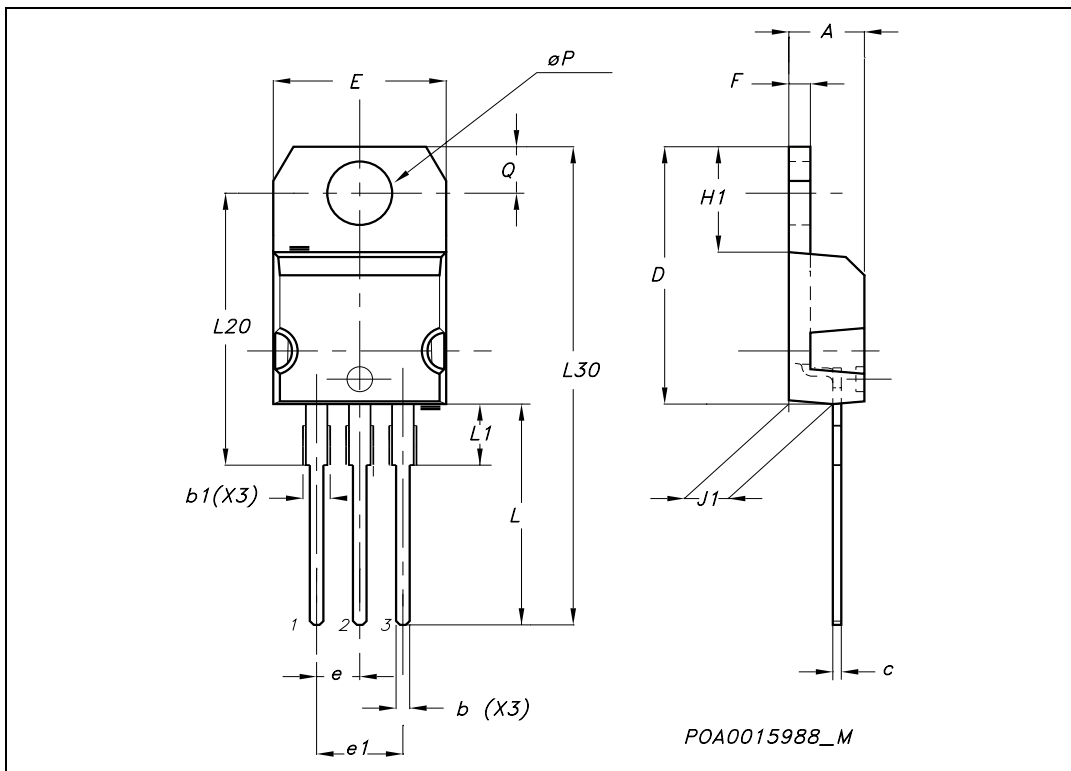


Fig. 5: Test Circuit For Inductive Load Switching And Diode Recovery Times



TO-220 MECHANICAL DATA

| DIM. | mm. | | | inch | | |
|------|-------|-------|-------|-------|-------|-------|
| | MIN. | TYP. | MAX. | MIN. | TYP. | MAX. |
| A | 4.40 | | 4.60 | 0.173 | | 0.181 |
| b | 0.61 | | 0.88 | 0.024 | | 0.034 |
| b1 | 1.15 | | 1.70 | 0.045 | | 0.066 |
| c | 0.49 | | 0.70 | 0.019 | | 0.027 |
| D | 15.25 | | 15.75 | 0.60 | | 0.620 |
| E | 10 | | 10.40 | 0.393 | | 0.409 |
| e | 2.40 | | 2.70 | 0.094 | | 0.106 |
| e1 | 4.95 | | 5.15 | 0.194 | | 0.202 |
| F | 1.23 | | 1.32 | 0.048 | | 0.052 |
| H1 | 6.20 | | 6.60 | 0.244 | | 0.256 |
| J1 | 2.40 | | 2.72 | 0.094 | | 0.107 |
| L | 13 | | 14 | 0.511 | | 0.551 |
| L1 | 3.50 | | 3.93 | 0.137 | | 0.154 |
| L20 | | 16.40 | | | 0.645 | |
| L30 | | 28.90 | | | 1.137 | |
| øP | 3.75 | | 3.85 | 0.147 | | 0.151 |
| Q | 2.65 | | 2.95 | 0.104 | | 0.116 |



Information furnished is believed to be accurate and reliable. However, STMicroelectronics assumes no responsibility for the consequences of use of such information nor for any infringement of patents or other rights of third parties which may result from its use. No license is granted by implication or otherwise under any patent or patent rights of STMicroelectronics. Specifications mentioned in this publication are subject to change without notice. This publication supersedes and replaces all information previously supplied. STMicroelectronics products are not authorized for use as critical components in life support devices or systems without express written approval of STMicroelectronics.

The ST logo is a registered trademark of STMicroelectronics
All other names are the property of their respective owners

© 2004 STMicroelectronics - All Rights Reserved
STMicroelectronics GROUP OF COMPANIES

Australia - Belgium - Brazil - Canada - China - Czech Republic - Finland - France - Germany - Hong Kong - India - Israel - Italy - Japan -
Malaysia - Malta - Morocco - Singapore - Spain - Sweden - Switzerland - United Kingdom - United States.

<http://www.st.com>

Mouser Electronics

Authorized Distributor

Click to View Pricing, Inventory, Delivery & Lifecycle Information:

[STMicroelectronics:](#)

[STP80NF03L-04](#)