

### Description

The MC34063A/E series is a monolithic control circuit which delivers the main functions for DC-DC voltage converting.

The device contains an internal temperature compensated reference, comparator, duty cycle controlled oscillator with an active current limit circuit, driver and high current output switch. Output voltage is adjustable through two external resistors with a 2% reference accuracy.

Employing a minimum number of external components, the MC34063A/E device series is designed for step-down, step-up and voltage-inverting applications.

### Features

- Output switch current in excess of 1.5 A
- 2 % reference accuracy
- Low quiescent current: 2.5 mA (typ.)
- Operating from 3 V to 40 V
- Frequency operation to 100 kHz
- Active current limiting

**Table 1. Device summary**

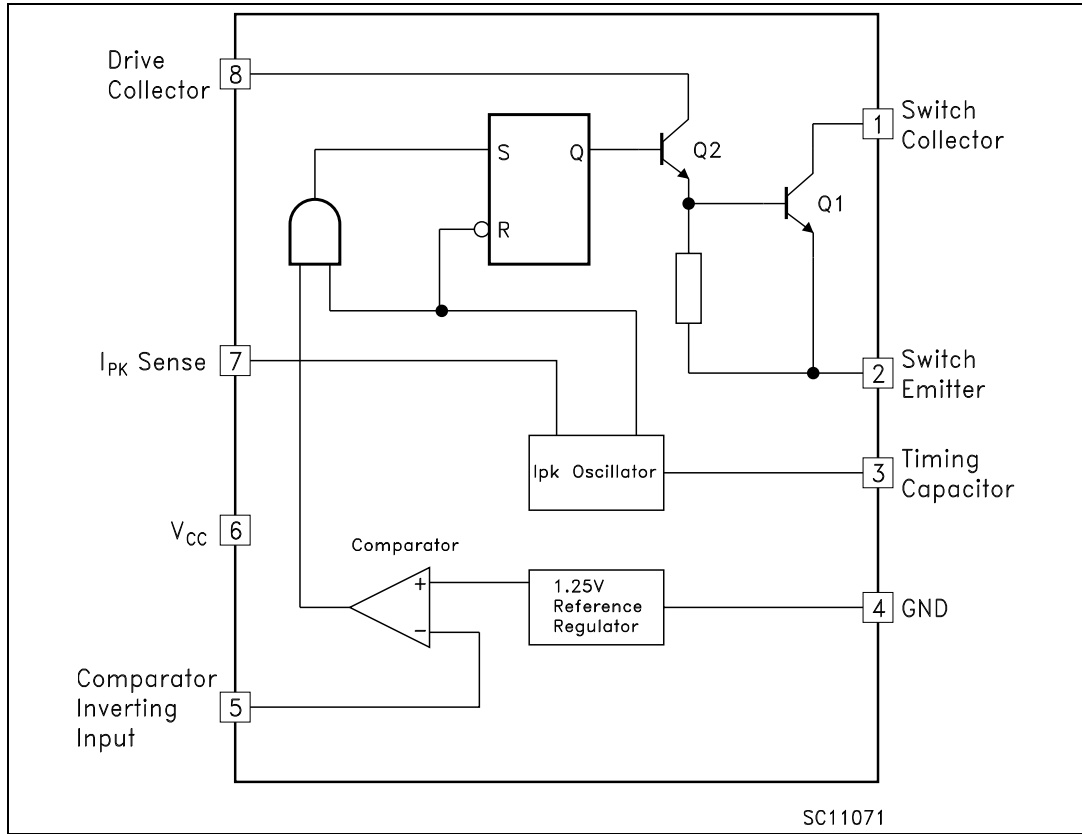
Order codes	
DIP-8	SO-8
MC34063ABN	MC34063ABD-TR
MC34063ACN	MC34063ACD-TR
MC34063EBN	MC34063EBD-TR
MC34063ECN	MC34063ECD-TR

# Contents

1	Diagram .....	3
2	Pin configuration .....	4
3	Maximum ratings .....	5
4	Electrical characteristics .....	6
5	Typical performance characteristics .....	8
6	Typical application circuit .....	10
7	Package mechanical data .....	18
8	Revision history .....	22

# 1 Diagram

Figure 1. Block diagram



## 2 Pin configuration

Figure 2. Pin connections

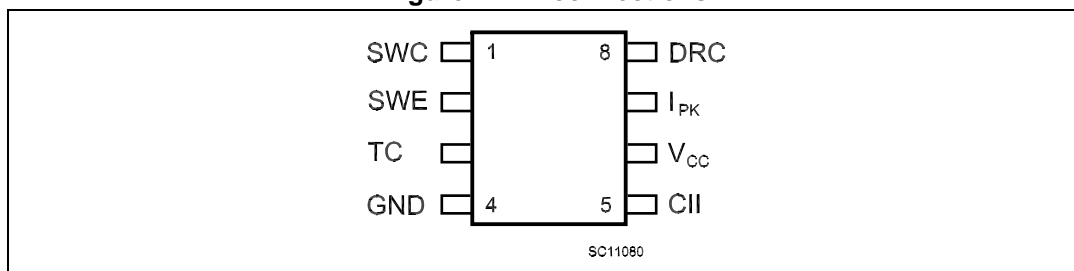


Table 2. Pin description

Pin n°	Symbol	Name and function
1	SWC	Switch collector
2	SWE	Switch emitter
3	TC	Timing capacitor
4	GND	Ground
5	CII	Comparator inverting input
6	V <sub>CC</sub>	Voltage supply
7	I <sub>PK</sub>	I <sub>PK</sub> sense
8	DRC	Voltage driver collector

### 3 Maximum ratings

**Table 3. Absolute maximum ratings**

Symbol	Parameter		Value	Unit
$V_{CC}$	Power supply voltage		50	V
$V_{IR}$	Comparator input voltage range		-0.3 to 40	V
$V_{SWC}$	Switch collector voltage		40	V
$V_{SWE}$	Switch emitter voltage ( $V_{SWC} = 40V$ )		40	V
$V_{CE}$	Switch collector to emitter voltage		40	V
$V_{DC}$	Driver collector voltage		40	V
$I_{DC}$	Driver collector current		100	mA
$I_{SW}$	Switch current		1.5	A
$P_{TOT}$	Power dissipation at $T_A = 25^\circ C$	for DIP-8	1.25	W
		for SO-8	0.625	
$T_J$	Operating junction temperature		150	$^\circ C$
$T_{STG}$	Storage temperature range		-40 to 150	$^\circ C$
$T_{OP}$	Operating ambient temperature range	for AC and EC series	0 to 70	$^\circ C$
		for AB series	-40 to 85	
		for EB series	-40 to 125	

*Note:* Absolute maximum ratings are those values beyond which damage to the device may occur. Functional operation under these condition is not implied.

**Table 4. Thermal data**

Symbol	Parameter	DIP-8	SO-8	Unit
$R_{thJA}$	Thermal resistance junction-ambient <sup>(1)</sup>	100	160	$^\circ C/W$
$R_{thJC}$	Thermal resistance junction-case	42	20	$^\circ C/W$

1. This value depends from thermal design of PCB on which the device is mounted.

## 4 Electrical characteristics

Refer to the test circuits,  $V_{CC} = 5\text{ V}$ ,  $T_A = T_{LOW}$  to  $T_{HIGH}$ , unless otherwise specified. <sup>(a)</sup>

**Table 5. Oscillator**

Symbol	Parameter	Test conditions	Min.	Typ.	Max.	Unit
$f_{OSC}$	Frequency	$V_{PIN5} = 0\text{ V}$ , $C_T = 1\text{ nF}$ , $T_A = 25^\circ\text{C}$	24	33	42	kHz
$I_{CHG}$	Charge current	$V_{CC} = 5$ to $40\text{ V}$ , $T_A = 25^\circ\text{C}$	24	33	42	$\mu\text{A}$
$I_{DISCHG}$	Discharge current	$V_{CC} = 5$ to $40\text{ V}$ , $T_A = 25^\circ\text{C}$	140	200	260	$\mu\text{A}$
$I_{DISCHG}/I_{CHG}$	Discharge to charge current ratio	$PIN\ 7 = V_{CC}$ , $T_A = 25^\circ\text{C}$	5.2	6.2	7.5	$\mu\text{A}$
$V_{IPK(sense)}$	Current limit sense voltage	$I_{CHG} = I_{DISCHG}$ , $T_A = 25^\circ\text{C}$	250	300	350	mV

**Table 6. Output switch**

Symbol	Parameter	Test conditions	Min.	Typ.	Max.	Unit
$V_{CE(sat)}$	Saturation voltage, Darlington connection	$I_{SW} = 1\text{ A}$ , $PIN\ 1, 8$ connected		1	1.3	V
$V_{CE(sat)}$	Saturation voltage	$I_{SW} = 1\text{ A}$ , $R_{PIN8} = 82\ \Omega$ to $V_{CC}$ Forced $\beta \sim 20$		0.45	0.7	V
$h_{FE}$	DC current gain	$I_{SW} = 1\text{ A}$ , $V_{CE} = 5\text{ V}$ , $T_A = 25^\circ\text{C}$	50	120		
$I_{C(off)}$	Collector off-state current	$V_{CE} = 40\text{ V}$		0.01	100	$\mu\text{A}$

**Table 7. Comparator**

Symbol	Parameter	Test conditions	Min.	Typ.	Max.	Unit
$V_{TH}$	Threshold voltage	$T_A = 25^\circ\text{C}$	1.225	1.25	1.275	V
		$T_A = T_{LOW}$ to $T_{HIGH}$	1.21		1.29	
$Reg_{line}$	Threshold voltage line regulation	$V_{CC} = 3$ to $40\text{ V}$		1	5	mV
$I_{IB}$	Input bias current	$V_{IN} = 0\text{ V}$		-5	-400	nA

a.  $T_{LOW} = 0^\circ\text{C}$ ,  $T_{HIGH} = 70^\circ\text{C}$  (AC and EC series);  $T_{LOW} = -40^\circ\text{C}$ ,  $T_{HIGH} = 85^\circ\text{C}$  (AB series);  $T_{LOW} = -40^\circ\text{C}$ ,  $T_{HIGH} = 125^\circ\text{C}$  (EB series)

Table 8. Total device

Symbol	Parameter	Test conditions	Min.	Typ.	Max.	Unit	
I <sub>CC</sub>	Supply current	V <sub>CC</sub> = 5 to 40 V C <sub>T</sub> = 1 nF PIN 7 = V <sub>CC</sub> V <sub>PIN5</sub> > V <sub>TH</sub> PIN 2 = GND Remaining pins open	for MC34063A		2.5	4	mA
			for MC34063E		1.5	4	
V <sub>START-UP</sub>	Start-up voltage <sup>(1)</sup>	T <sub>A</sub> = 25°C C <sub>T</sub> = 1 μF, PIN 5 = 0	for MC34063A		2.1		V
			for MC34063E		1.5		

1. Start-up voltage is the minimum power supply voltage at which the internal oscillator begins to work.

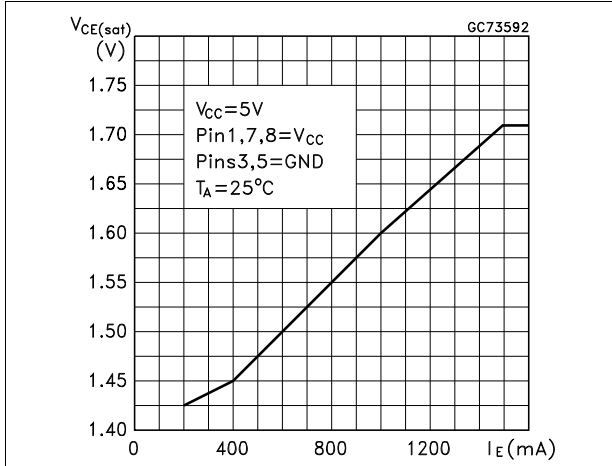
**Note:** *Maximum package power dissipation limit must be observed.*

*If Darlington configuration is not used, care must be taken to avoid deep saturation of output switch. The resulting switch-off time may be adversely affected. In a Darlington configuration the following output driver condition is suggested:*

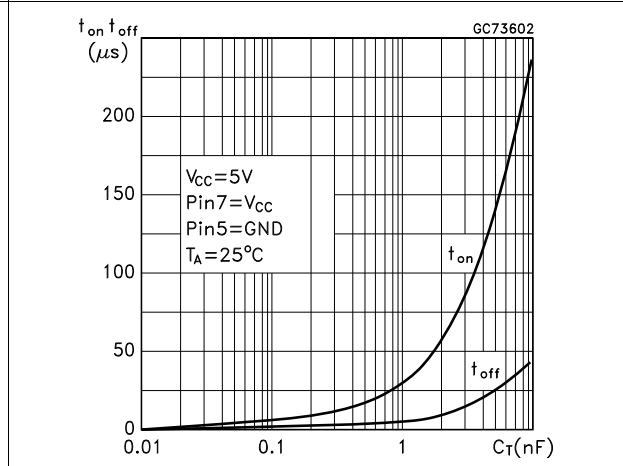
$$\text{Forced } \beta \text{ of output current switch} = I_{\text{COUTPUT}} / (I_{\text{CDRIVER}} - 1 \text{ mA}) \geq 10$$

## 5 Typical performance characteristics

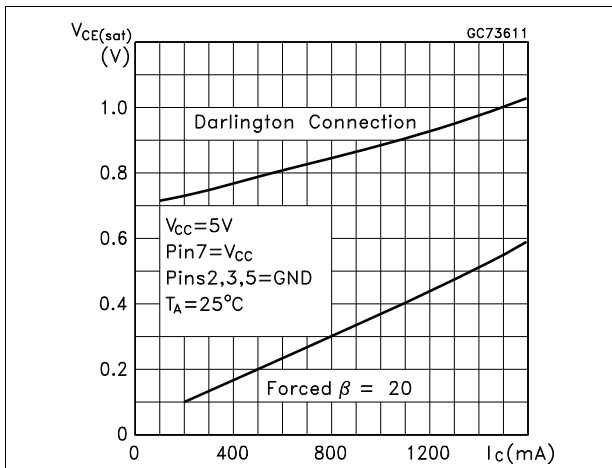
**Figure 3. Emitter follower configuration output saturation voltage vs. emitter current**



**Figure 4. Output switch ON-OFF time vs. oscillator timing capacitor**



**Figure 5. Common emitter configuration output switch saturation voltage vs. collector current**



**Figure 6. Darlington configuration collector emitter saturation voltage ( $V_{CE(sat)}$ ) vs. temperature**

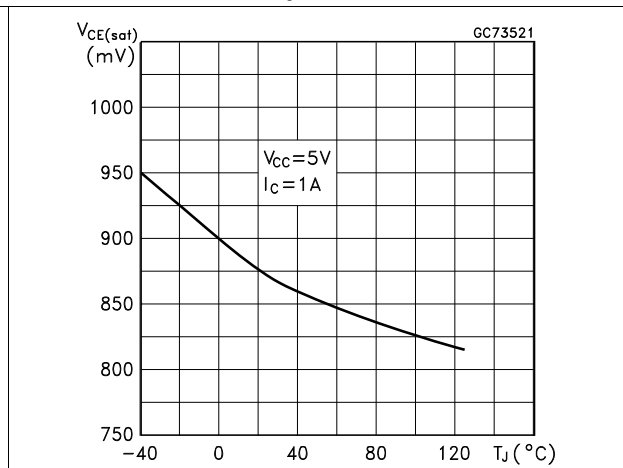




Figure 7. Power collector emitter saturation voltage ( $V_{CEsat}$ ) vs. temperature

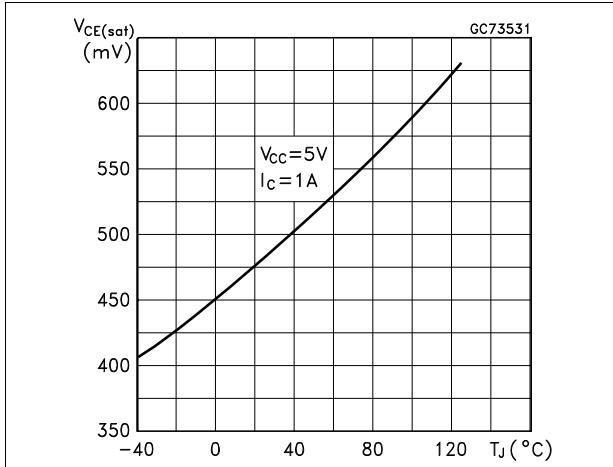


Figure 8. Current limit sense voltage ( $V_{IPK}$ ) vs. temperature

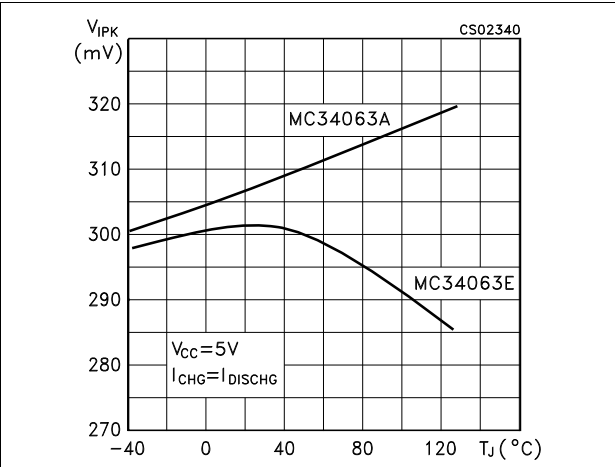


Figure 9. Reference voltage vs. temperature

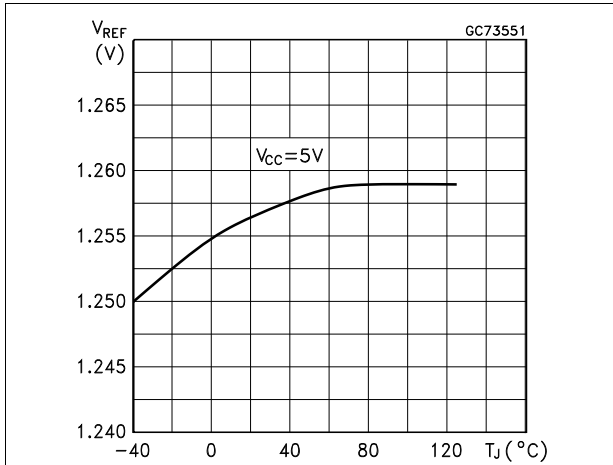


Figure 10. Bias current vs. temperature

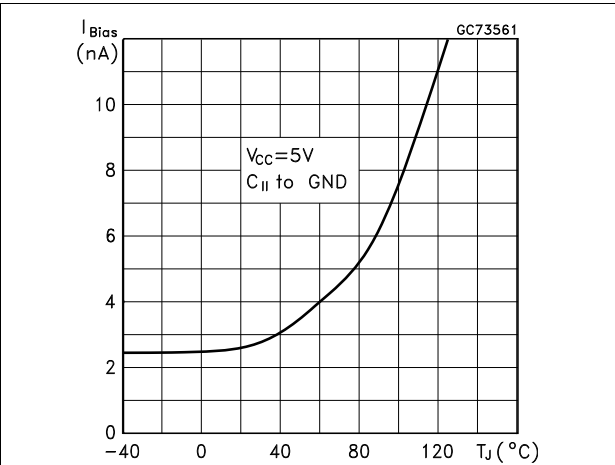


Figure 11. Supply current vs. temperature

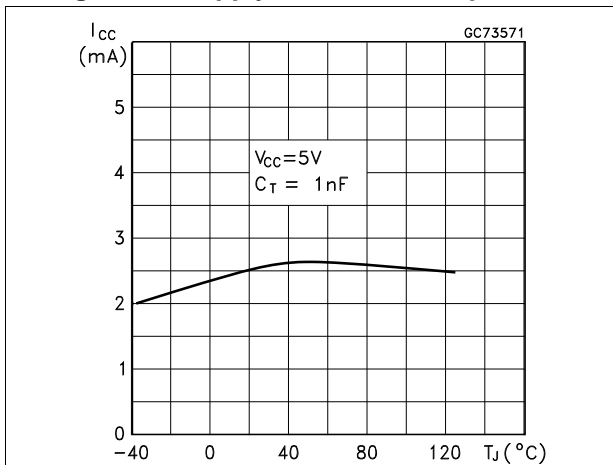
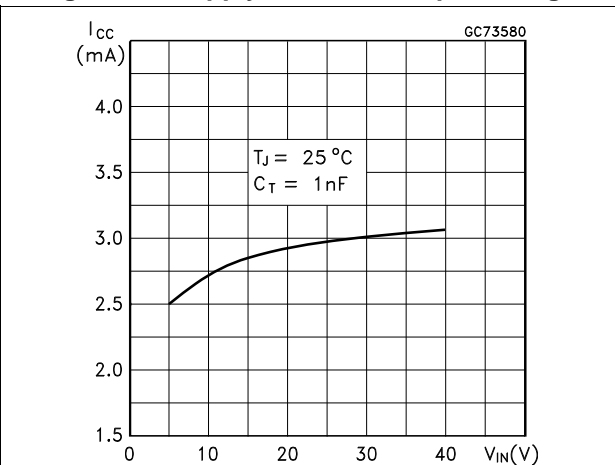


Figure 12. Supply current vs. input voltage



## 6 Typical application circuit

Figure 13. Step-up converter

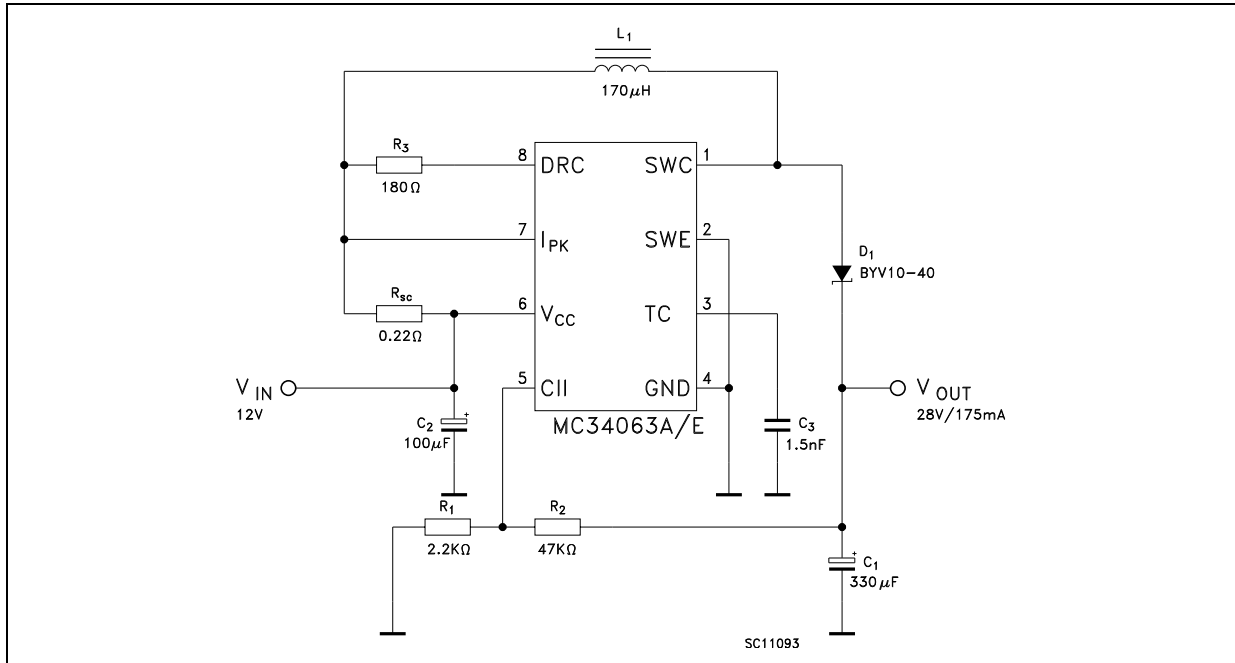


Figure 14. Printed evaluation board

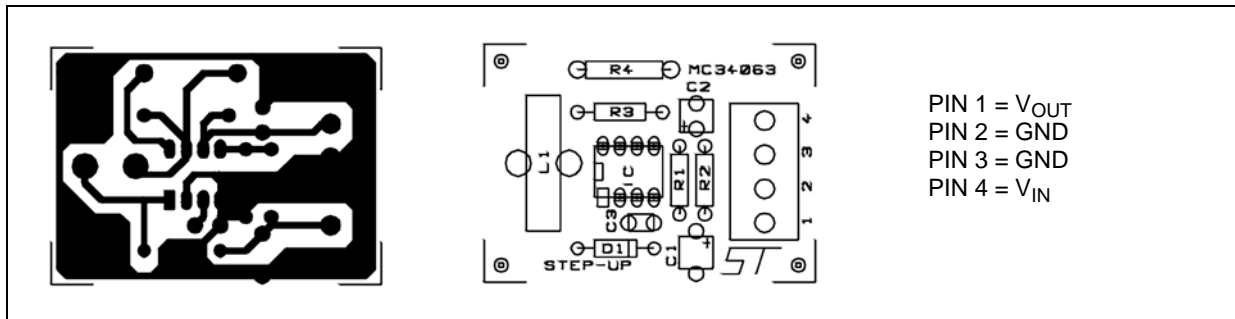


Table 9. Test condition ( $V_{OUT} = 28\text{ V}$ )

Test	Conditions	Value (Typ.)	Unit
Line Regulation	$V_{IN} = 8\text{ to }16\text{ V}$ , $I_O = 175\text{ mA}$	30	mV
Load Regulation	$V_{IN} = 12\text{ V}$ , $I_O = 75\text{ to }175\text{ mA}$	10	mV
Output Ripple	$V_{IN} = 12\text{ V}$ , $I_O = 175\text{ mA}$	300	mV
Efficiency	$V_{IN} = 12\text{ V}$ , $I_O = 175\text{ mA}$	89	%

Figure 15. Step-down converter

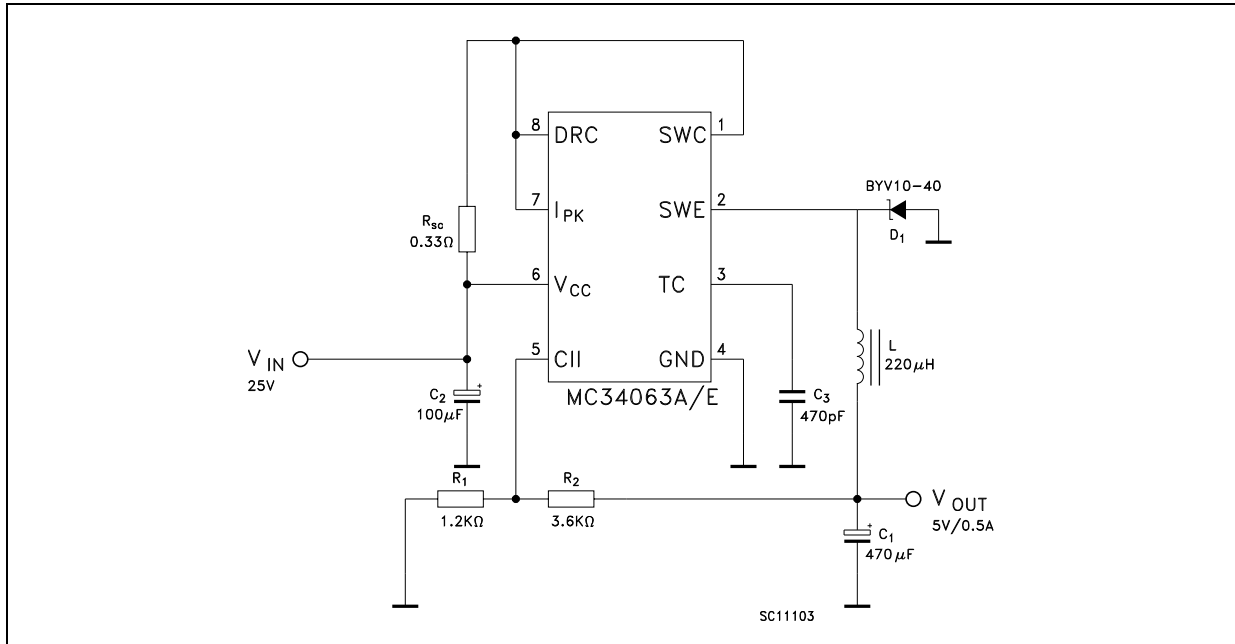


Figure 16. Printed evaluation board

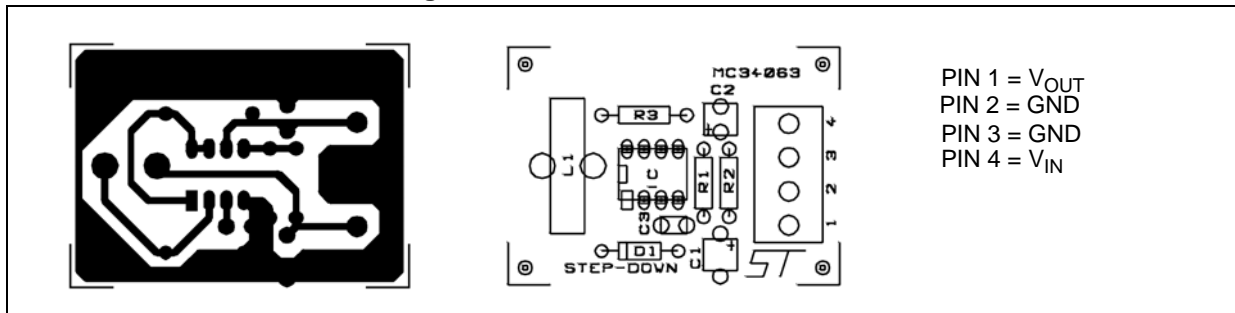


Table 10. Test condition ( $V_{OUT} = 5\text{ V}$ )

Test	Conditions	Value (typ.)	Unit
Line regulation	$V_{IN} = 15\text{ to }25\text{ V}$ , $I_O = 500\text{ mA}$	5	mV
Load regulation	$V_{IN} = 25\text{ V}$ , $I_O = 50\text{ to }500\text{ mA}$	30	mV
Output ripple	$V_{IN} = 25\text{ V}$ , $I_O = 500\text{ mA}$	100	mV
Efficiency	$V_{IN} = 25\text{ V}$ , $I_O = 500\text{ mA}$	80	%
$I_{SC}$	$V_{IN} = 25\text{ V}$ , $R_{LOAD} = 0.1\ \Omega$	1.2	A

Figure 17. Voltage inverting converter

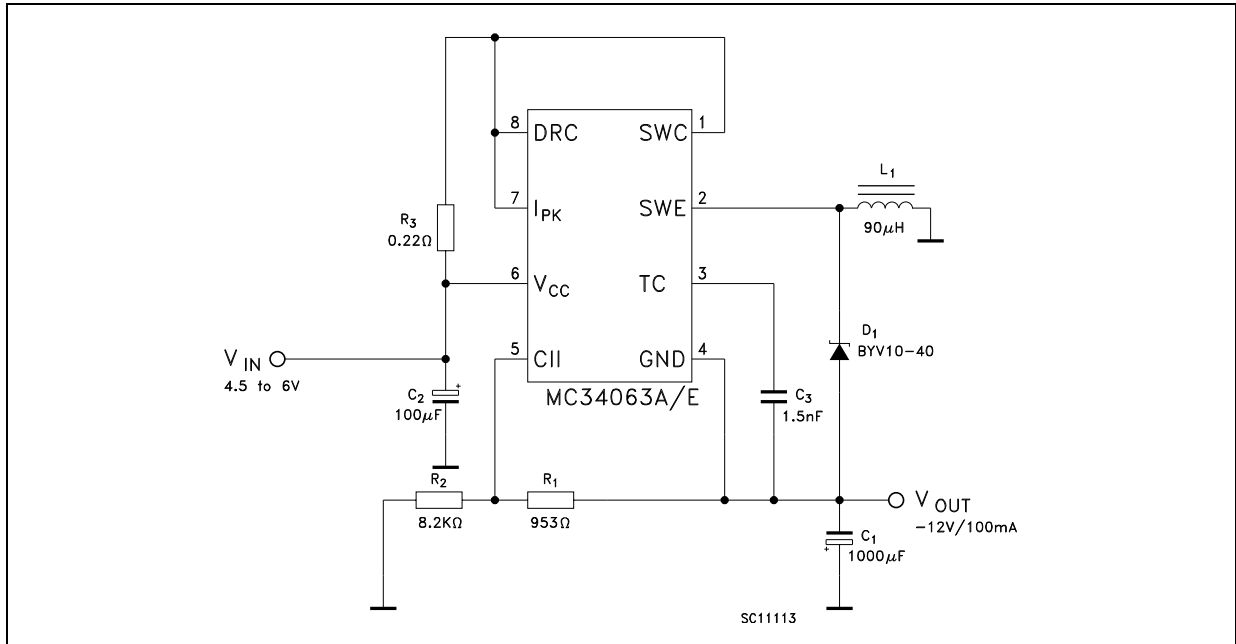


Figure 18. Printed evaluation board

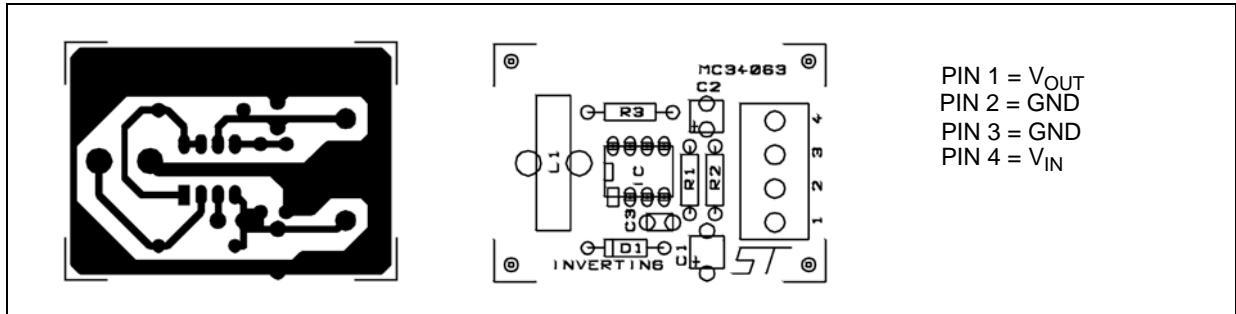


Table 11. Test condition ( $V_{OUT} = 12\text{ V}$ )

Test	Conditions	Value (typ.)	Unit
Line regulation	$V_{IN} = 4.5\text{ to }6\text{ V}$ , $I_O = 100\text{ mA}$	15	mV
Load regulation	$V_{IN} = 5\text{ V}$ , $I_O = 10\text{ to }100\text{ mA}$	20	mV
Output ripple	$V_{IN} = 5\text{ V}$ , $I_O = 100\text{ mA}$	230	mV
Efficiency	$V_{IN} = 5\text{ V}$ , $I_O = 100\text{ mA}$	58	%
$I_{SC}$	$V_{IN} = 5\text{ V}$ , $R_{LOAD} = 0.1\ \Omega$	0.9	A

Table 12. Calculation

Parameter	Step-Up (Discontinuous mode)	Step-Down (Continuous mode)	Voltage Inverting (Discontinuous mode)
$t_{on}/t_{off}$	$\frac{V_{OUT} + V_F - V_{IN(min)}}{V_{IN(min)} - V_{sat}}$	$\frac{V_{OUT} + V_F}{V_{IN(min)} - V_{sat} - V_{OUT}}$	$\frac{ V_{OUT}  + V_F}{V_{IN} - V_{sat}}$
$(t_{on} + t_{off}) \text{ max}$	$1/f_{min}$	$1/f_{min}$	$1/f_{min}$
$C_T$	$4.5 \times 10^{-5} t_{on}$	$4.5 \times 10^{-5} t_{on}$	$4.5 \times 10^{-5} t_{on}$
$I_{PK(switch)}$	$2I_{out(max)}[(t_{on}/t_{off})+1]$	$2I_{out(max)}$	$2I_{out(max)}[(t_{on}/t_{off})+1]$
$R_{SC}$	$0.3/I_{PK(switch)}$	$0.3/I_{PK(switch)}$	$0.3/I_{PK(switch)}$
$C_O$	$\frac{I_{out} t_{on}}{V_{ripple(p-p)}}$	$\frac{I_{PK(switch)}(t_{on} + t_{off})}{8V_{ripple(p-p)}}$	$\frac{I_{out} t_{on}}{V_{ripple(p-p)}}$
$L_{(min)}$	$\frac{V_{IN(min)} - V_{sat}}{I_{PK(switch)}} \times t_{on(min)}$	$\frac{V_{IN(min)} - V_{sat} - V_{out}}{I_{PK(switch)}} \times t_{on(min)}$	$\frac{V_{IN(min)} - V_{sat}}{I_{PK(switch)}} \times t_{on(min)}$

Note:  $V_{SAT}$  = Saturation voltage of the output switch  
 $V_F$  = Forward voltage drop of the output rectifier  
 The following power supply characteristics must be chosen:  
 $V_{IN}$  = Nominal input voltage  
 $V_{OUT}$  = Desired output voltage,  $|V_{OUT}| = 1.25 (1 + R_2/R_1)$   
 $I_{OUT}$  = Desired output current  
 $f_{MIN}$  = Minimum desired output switching frequency at the selected values of  $V_{IN}$  and  $I_O$   
 $V_{RIPPLE}$  = Desired peak to peak output ripple voltage. In practice, the calculated capacitor value will and to be increased due to its equivalent series resistance and board layout. The ripple voltage should be kept to a low value since it will directly affect the line and load regulation.

Figure 19. Step-up with external NPN switch

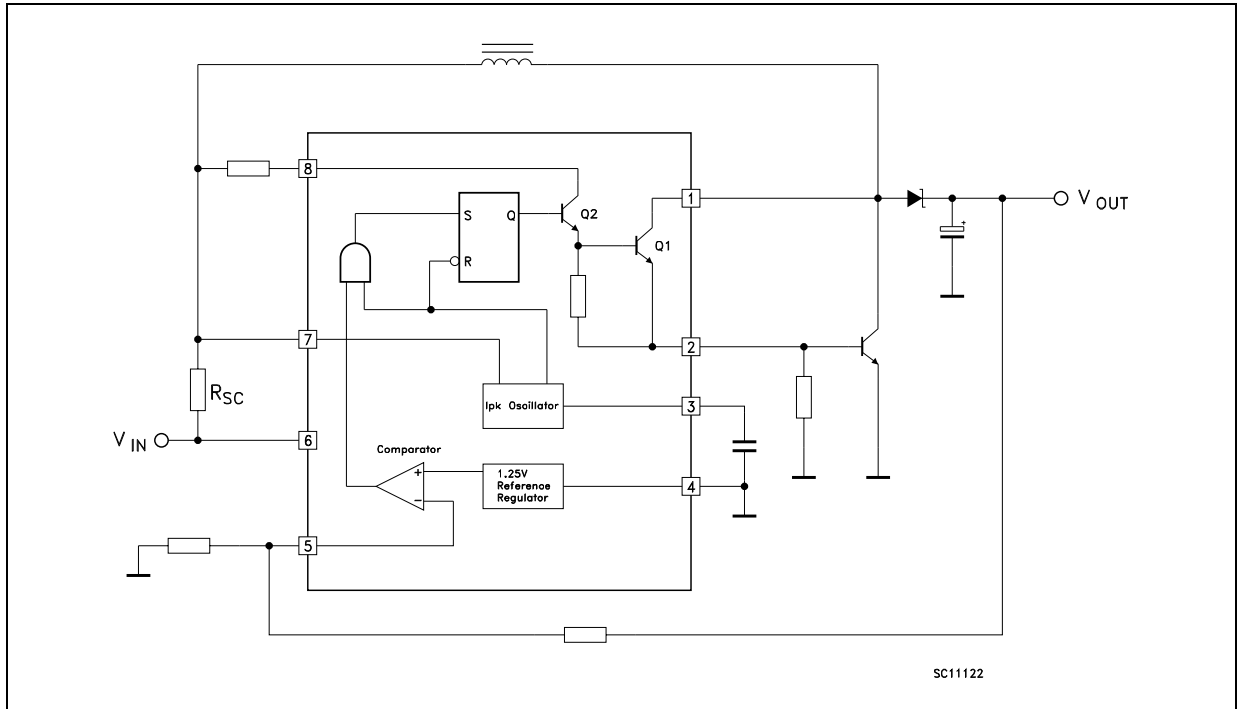


Figure 20. Step-down with external NPN switch

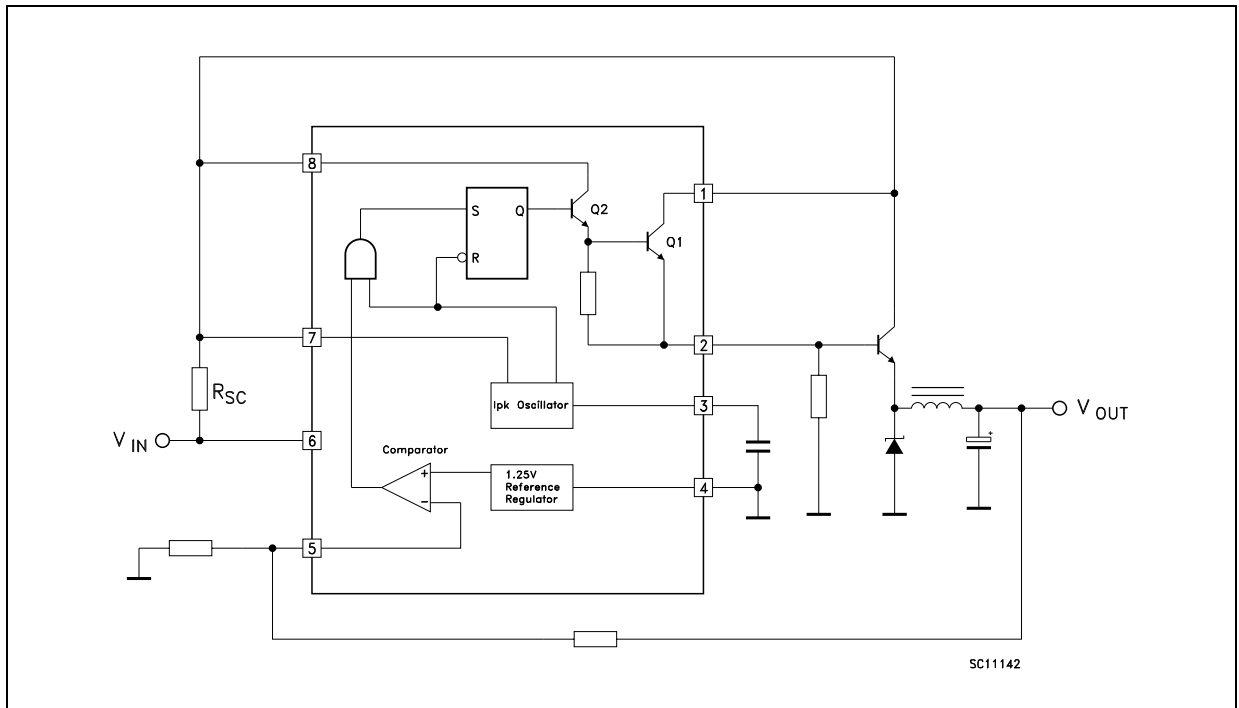


Figure 21. Step-down with external PNP switch

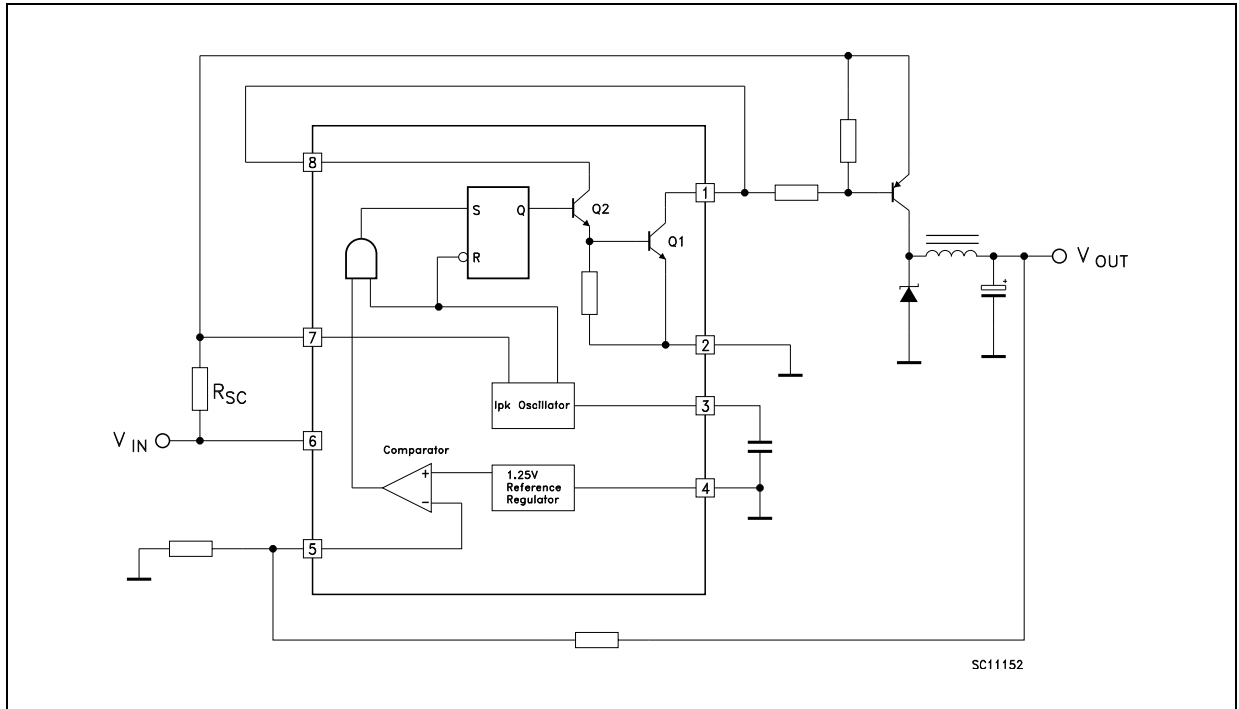


Figure 22. Voltage inverting with external NPN switch

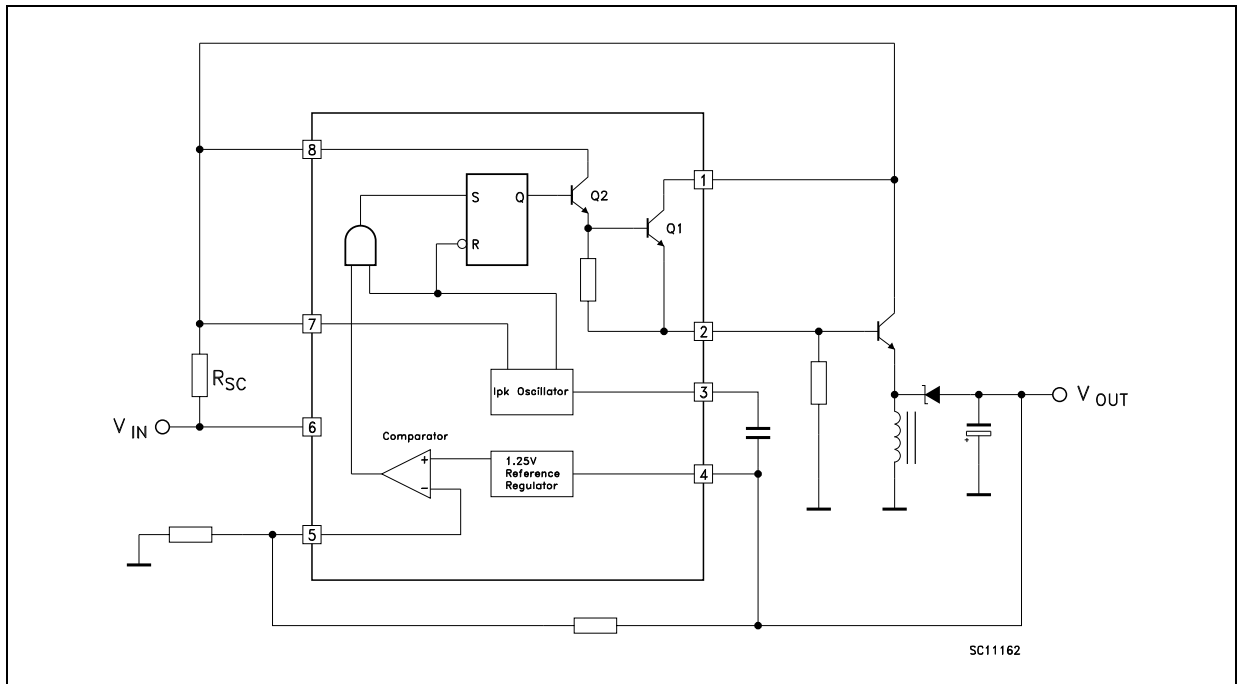


Figure 23. Voltage inverting with external PNP saturated switch

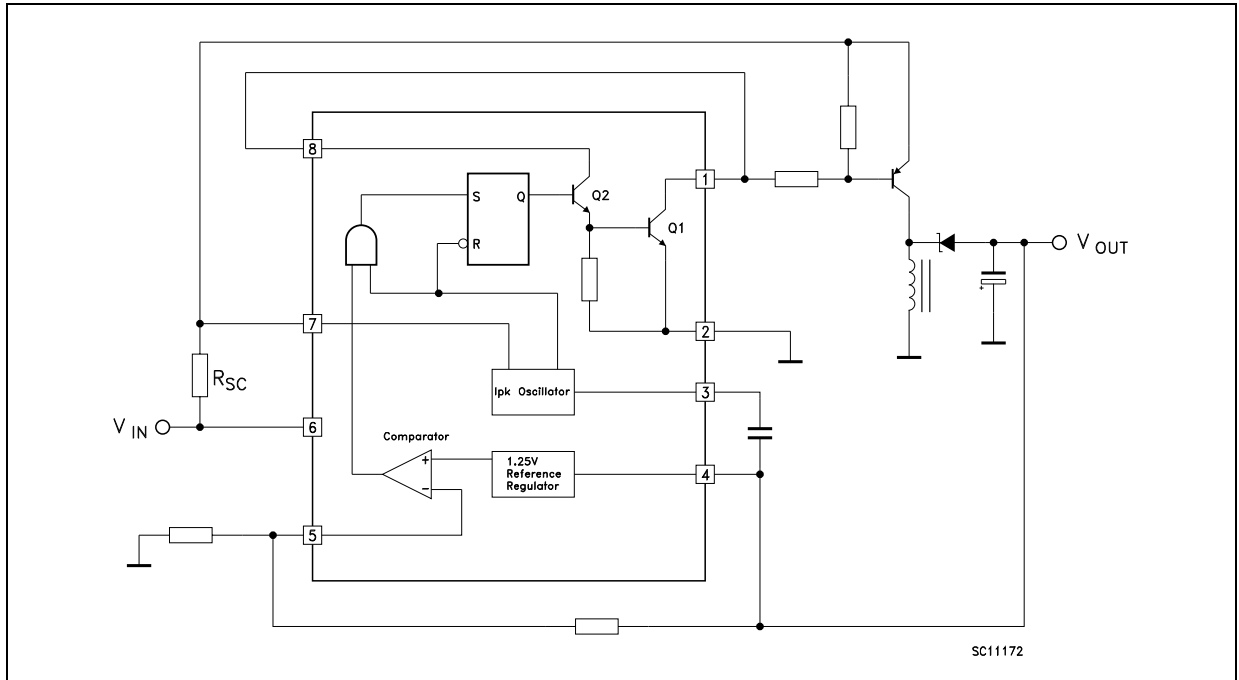


Figure 24. Dual output voltage

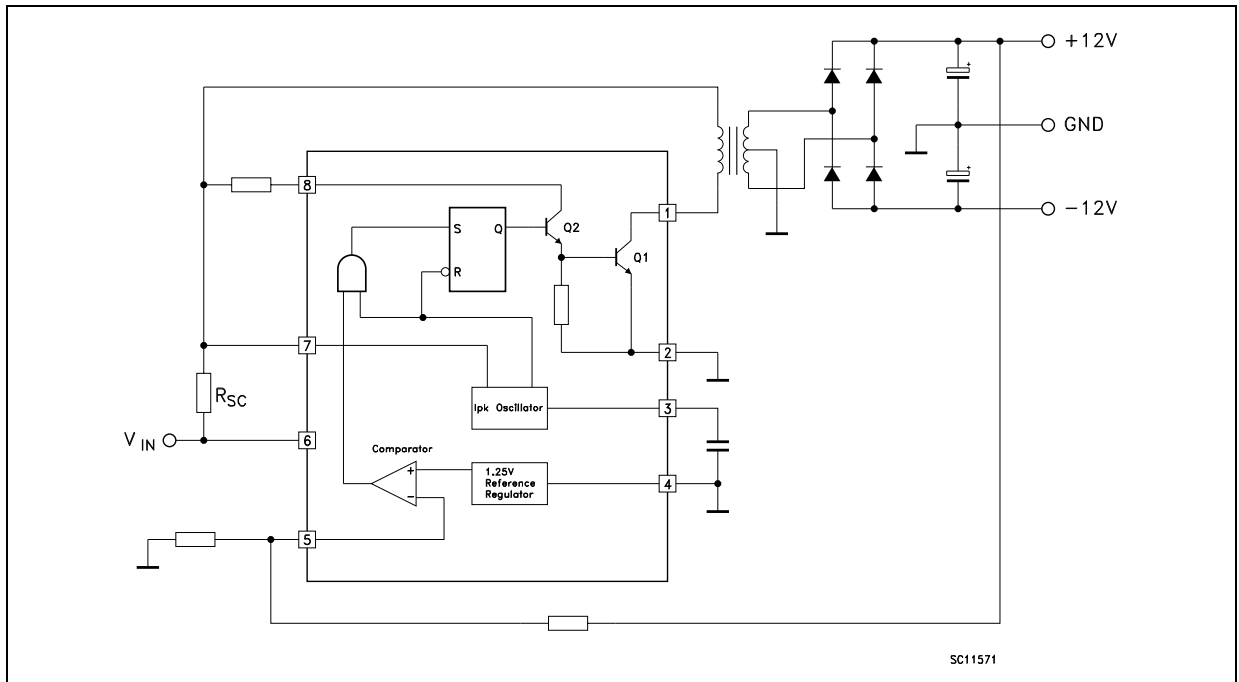
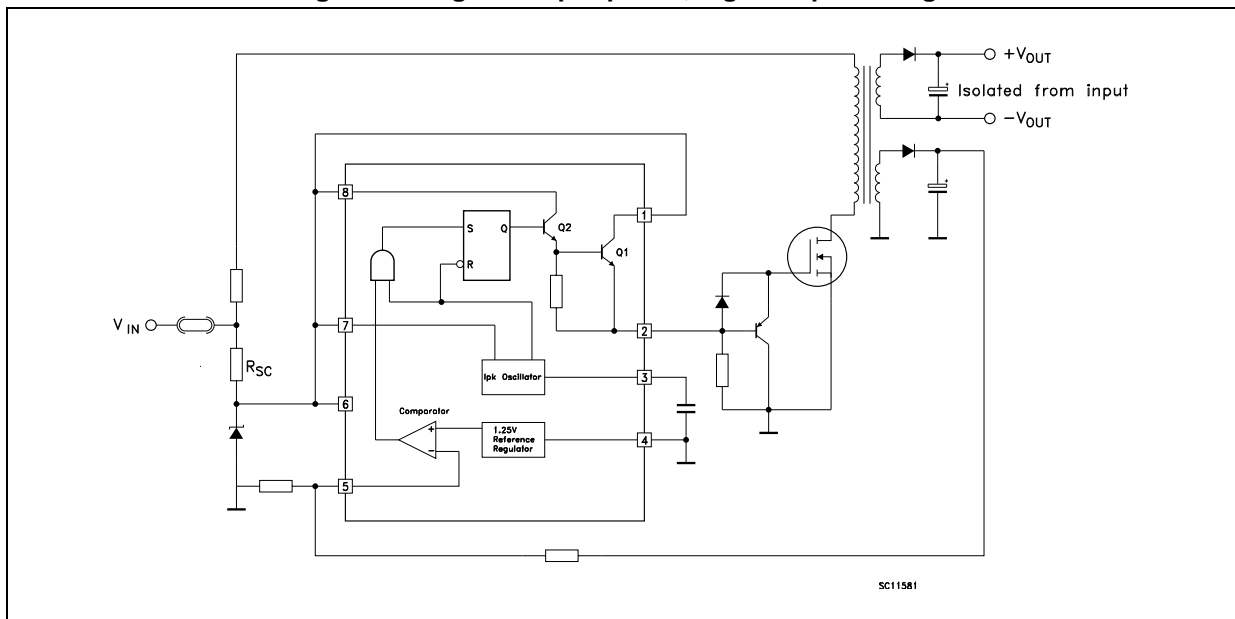




Figure 25. Higher output power, higher input voltage

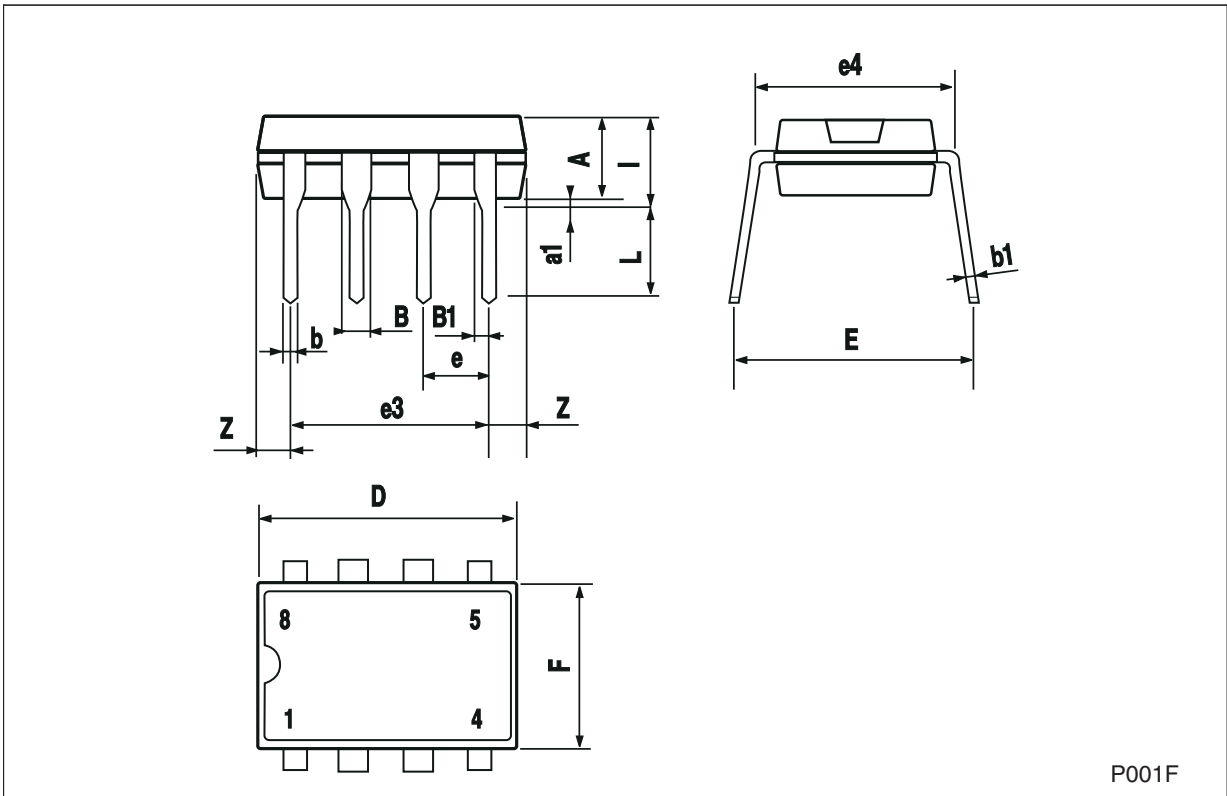


## 7 Package mechanical data

In order to meet environmental requirements, ST offers these devices in different grades of ECOPACK<sup>®</sup> packages, depending on their level of environmental compliance. ECOPACK<sup>®</sup> specifications, grade definitions and product status are available at: [www.st.com](http://www.st.com). ECOPACK<sup>®</sup> is an ST trademark.

**Plastic DIP-8 mechanical data**

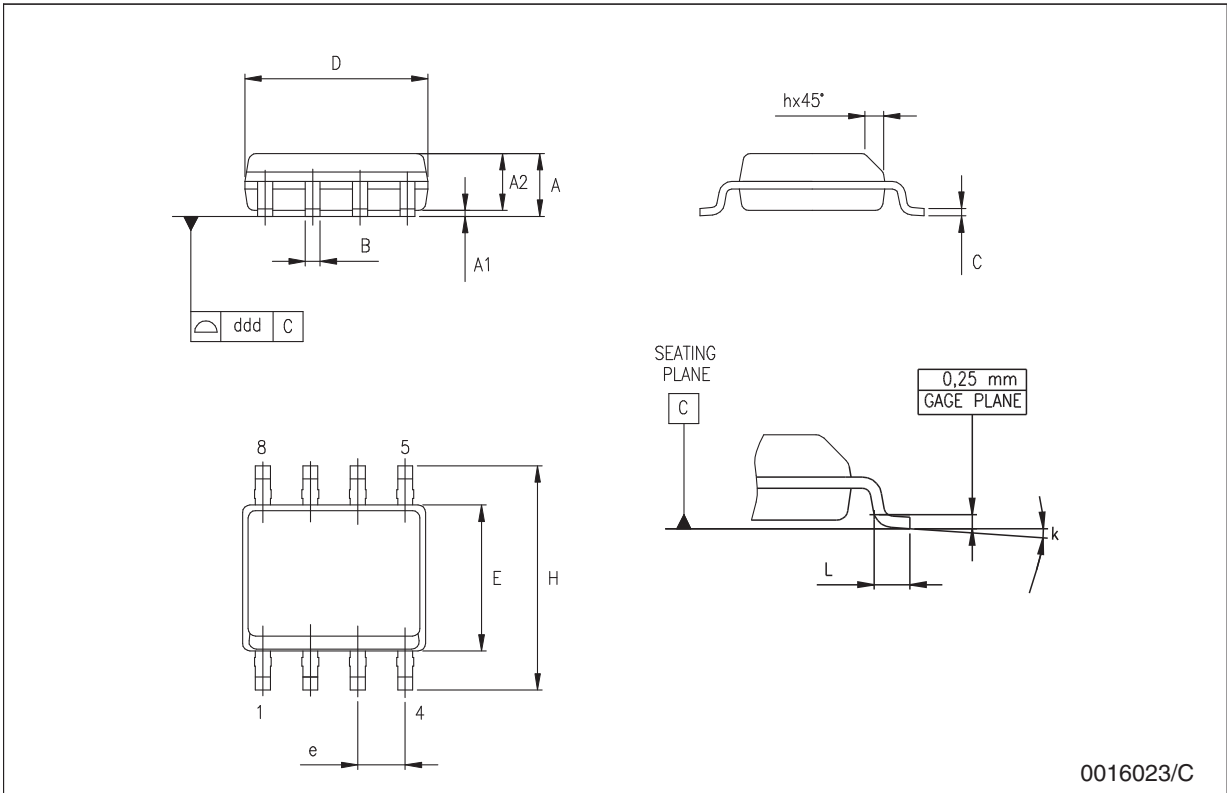
Dim.	mm.			inch.		
	Min.	Typ.	Max.	Min.	Typ.	Max.
A		3.3			0.130	
a1	0.7			0.028		
B	1.39		1.65	0.055		0.065
B1	0.91		1.04	0.036		0.041
b		0.5			0.020	
b1	0.38		0.5	0.015		0.020
D			9.8			0.386
E		8.8			0.346	
e		2.54			0.100	
e3		7.62			0.300	
e4		7.62			0.300	
F			7.1			0.280
I			4.8			0.189
L		3.3			0.130	
Z	0.44		1.6	0.017		0.063



P001F

**SO-8 mechanical data**

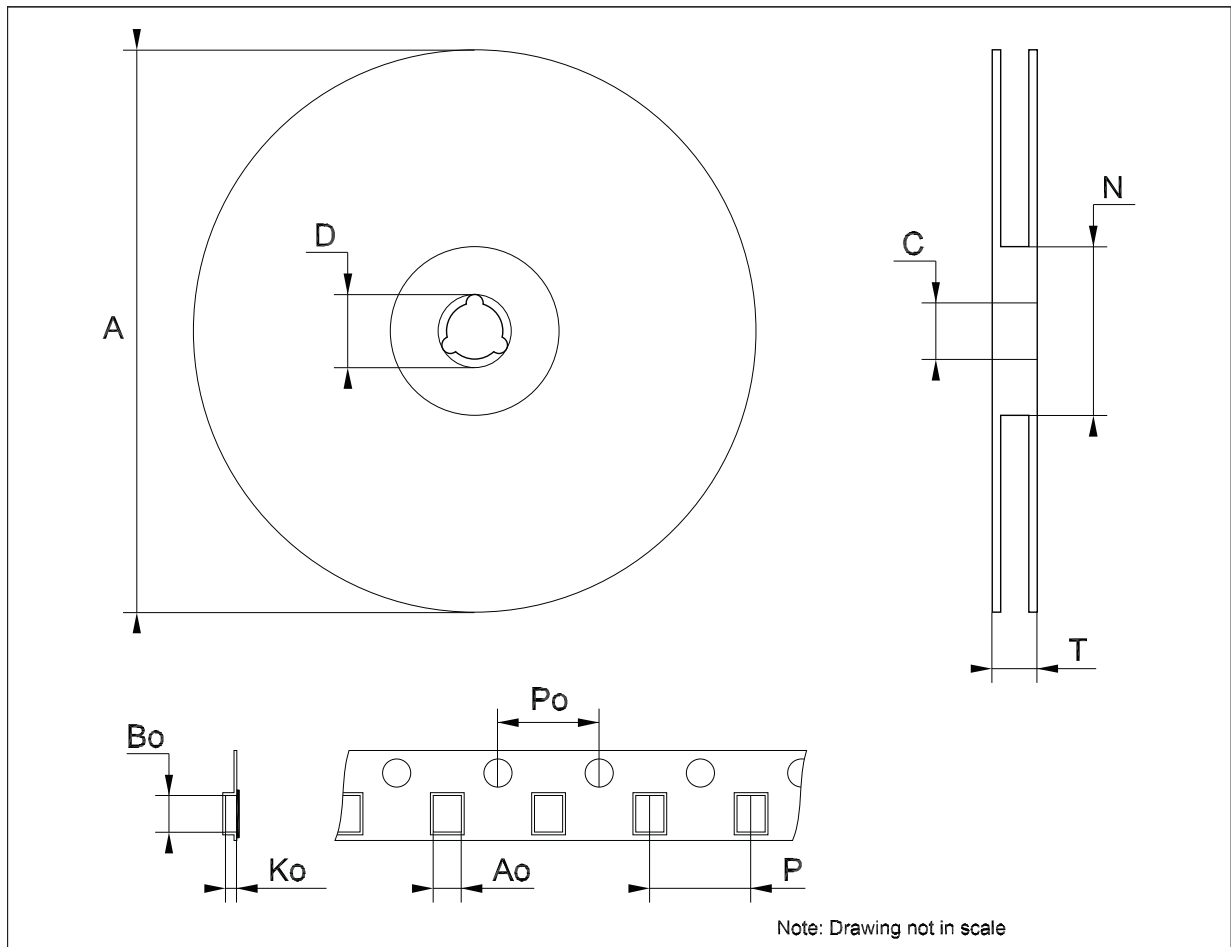
Dim.	mm.			inch.		
	Min.	Typ.	Max.	Min.	Typ.	Max.
A	1.35		1.75	0.053		0.069
A1	0.10		0.25	0.04		0.010
A2	1.10		1.65	0.043		0.065
B	0.33		0.51	0.013		0.020
C	0.19		0.25	0.007		0.010
D	4.80		5.00	0.189		0.197
E	3.80		4.00	0.150		0.157
e		1.27			0.050	
H	5.80		6.20	0.228		0.244
h	0.25		0.50	0.010		0.020
L	0.40		1.27	0.016		0.050
k	8° (max.)					
ddd			0.1			0.04



0016023/C

**Tape & reel SO-8 mechanical data**

Dim.	mm.			inch.		
	Min.	Typ.	Max.	Min.	Typ.	Max.
A			330			12.992
C	12.8		13.2	0.504		0.519
D	20.2			0.795		
N	60			2.362		
T			22.4			0.882
Ao	8.1		8.5	0.319		0.335
Bo	5.5		5.9	0.216		0.232
Ko	2.1		2.3	0.082		0.090
Po	3.9		4.1	0.153		0.161
P	7.9		8.1	0.311		0.319



## 8 Revision history

**Table 13. Document revision history**

Date	Revision	Changes
20-Nov-2007	10	Added <a href="#">Table 1</a> .
24-Apr-2013	11	Removed note <a href="#">Table 1 on page 1</a> .

**Please Read Carefully:**

Information in this document is provided solely in connection with ST products. STMicroelectronics NV and its subsidiaries ("ST") reserve the right to make changes, corrections, modifications or improvements, to this document, and the products and services described herein at any time, without notice.

All ST products are sold pursuant to ST's terms and conditions of sale.

Purchasers are solely responsible for the choice, selection and use of the ST products and services described herein, and ST assumes no liability whatsoever relating to the choice, selection or use of the ST products and services described herein.

No license, express or implied, by estoppel or otherwise, to any intellectual property rights is granted under this document. If any part of this document refers to any third party products or services it shall not be deemed a license grant by ST for the use of such third party products or services, or any intellectual property contained therein or considered as a warranty covering the use in any manner whatsoever of such third party products or services or any intellectual property contained therein.

**UNLESS OTHERWISE SET FORTH IN ST'S TERMS AND CONDITIONS OF SALE ST DISCLAIMS ANY EXPRESS OR IMPLIED WARRANTY WITH RESPECT TO THE USE AND/OR SALE OF ST PRODUCTS INCLUDING WITHOUT LIMITATION IMPLIED WARRANTIES OF MERCHANTABILITY, FITNESS FOR A PARTICULAR PURPOSE (AND THEIR EQUIVALENTS UNDER THE LAWS OF ANY JURISDICTION), OR INFRINGEMENT OF ANY PATENT, COPYRIGHT OR OTHER INTELLECTUAL PROPERTY RIGHT.**

**ST PRODUCTS ARE NOT AUTHORIZED FOR USE IN WEAPONS. NOR ARE ST PRODUCTS DESIGNED OR AUTHORIZED FOR USE IN: (A) SAFETY CRITICAL APPLICATIONS SUCH AS LIFE SUPPORTING, ACTIVE IMPLANTED DEVICES OR SYSTEMS WITH PRODUCT FUNCTIONAL SAFETY REQUIREMENTS; (B) AERONAUTIC APPLICATIONS; (C) AUTOMOTIVE APPLICATIONS OR ENVIRONMENTS, AND/OR (D) AEROSPACE APPLICATIONS OR ENVIRONMENTS. WHERE ST PRODUCTS ARE NOT DESIGNED FOR SUCH USE, THE PURCHASER SHALL USE PRODUCTS AT PURCHASER'S SOLE RISK, EVEN IF ST HAS BEEN INFORMED IN WRITING OF SUCH USAGE, UNLESS A PRODUCT IS EXPRESSLY DESIGNATED BY ST AS BEING INTENDED FOR "AUTOMOTIVE, AUTOMOTIVE SAFETY OR MEDICAL" INDUSTRY DOMAINS ACCORDING TO ST PRODUCT DESIGN SPECIFICATIONS. PRODUCTS FORMALLY ESCC, QML OR JAN QUALIFIED ARE DEEMED SUITABLE FOR USE IN AEROSPACE BY THE CORRESPONDING GOVERNMENTAL AGENCY.**

Resale of ST products with provisions different from the statements and/or technical features set forth in this document shall immediately void any warranty granted by ST for the ST product or service described herein and shall not create or extend in any manner whatsoever, any liability of ST.

ST and the ST logo are trademarks or registered trademarks of ST in various countries.

Information in this document supersedes and replaces all information previously supplied.

The ST logo is a registered trademark of STMicroelectronics. All other names are the property of their respective owners.

© 2013 STMicroelectronics - All rights reserved

STMicroelectronics group of companies

Australia - Belgium - Brazil - Canada - China - Czech Republic - Finland - France - Germany - Hong Kong - India - Israel - Italy - Japan - Malaysia - Malta - Morocco - Philippines - Singapore - Spain - Sweden - Switzerland - United Kingdom - United States of America

[www.st.com](http://www.st.com)



# Mouser Electronics

Authorized Distributor

Click to View Pricing, Inventory, Delivery & Lifecycle Information:

## STMicroelectronics:

[MC34063ACN](#) [MC34063ACD-TR](#) [MC34063ABD-TR](#) [MC34063ECN](#) [MC34063ECD-TR](#) [MC34063ABN](#)  
[MC34063EBD-TR](#) [MC34063EBN](#) [MC34063ACD](#)