

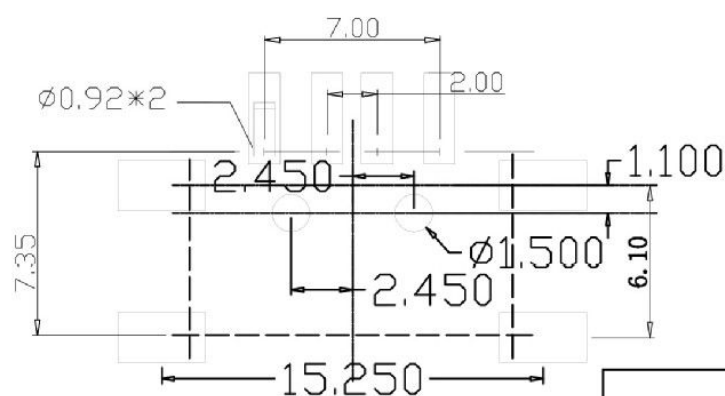
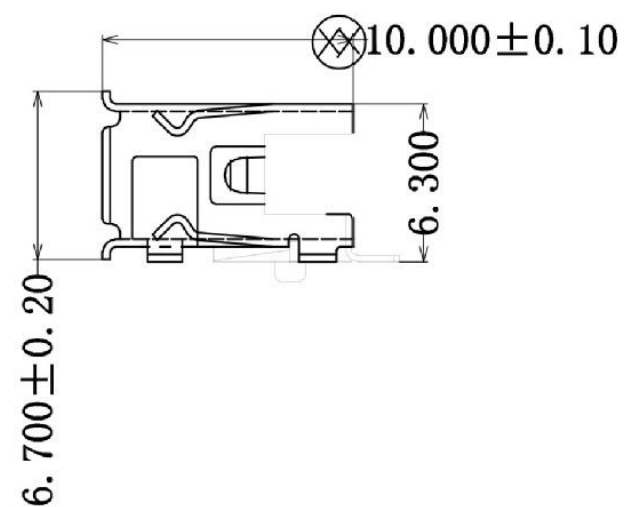
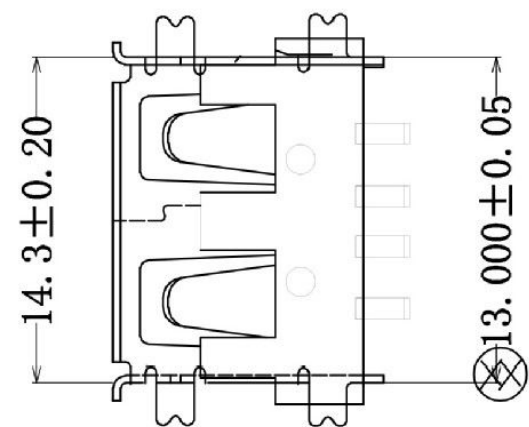
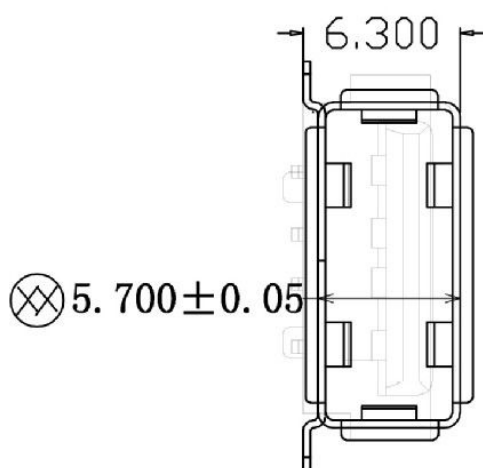
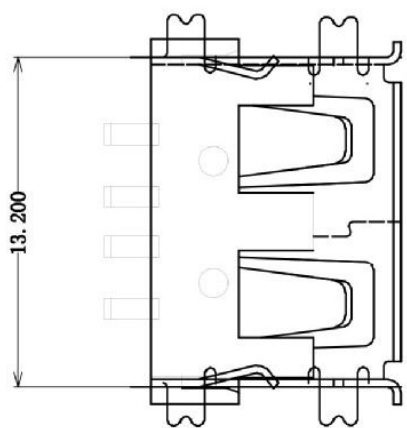
NO.	PART NO.	NAME	MATERIAL	COLOR	QTY
1	A02-C4DX2000	USB A/F 壳体10.6两个鱼叉脚1.90(无翻边)	Copper Alloy/SPCC		1PCS
2	A02-A00DX10	USB A/F 壳体10.6胶芯	PBT		1PCS
3	A02-B2DX0000	USB A/F 90° DIP端子(2.3无短脚)	Copper Alloy		4PCS

REVISIONS		
LET	DESCRIPTION	DATE
AX1		
A		

NOTES:

- MATERIAL SPECIFICATION
 - INSULATION MATERIAL THERMOPLASTIC.
 - SHELL: COPPER ALLOY/SPCC, T:0.30mm
PLATING: NICKEL
 - TERMINAL: COPPER ALLOY, T:0.25mm
PLATING: GOLD/TIN PLATED.
- ELECTRICAL CHARACTERISTIC:
 - INSULATION RESISTANCE: 1000MΩ MIN.
 - CONTACT RESISTANCE: 30mΩ MAX.
 - WITHSTANDING VOLTAGE: 500V AC.
- MECHANICAL CHARACTERISTICS:
 - INSERTION FORCE: 3.57Kgf MAX.
 - EXTRACTION FORCE: 1.02Kgf MIN.

ORDERING INFORMATION



	TOLERANCE				
	X	XX	XXX	XXX	X°
A	± 0.20	± 0.10	± 0.05	± 0.03	± 1°
B	± 0.50	± 0.20	± 0.10	± 0.05	± 2°
C	± 0.80	± 0.40	± 0.20	± 0.10	± 3°

DRAWING BY		Brand/Model:	
CHECK BY		PART NAME:	
APPROVED		DRAWING NO.	
DATE:		USER'S OR TOOLING NO.	
MATERIAL:	UNIT:	THIRD ANGLE 	
SUPERFICIES:	SCALE:		
COLOR:	REV:		

由 Autodesk 教育版产品制作

由 Autodesk 教育版产品制作

由 Autodesk 教育版产品制作