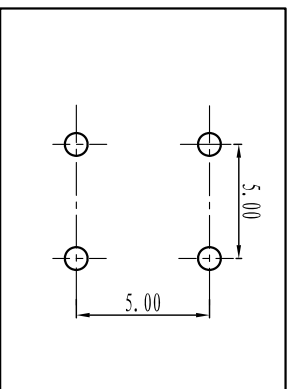
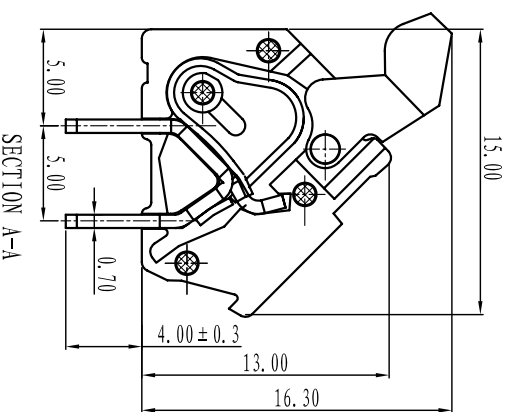
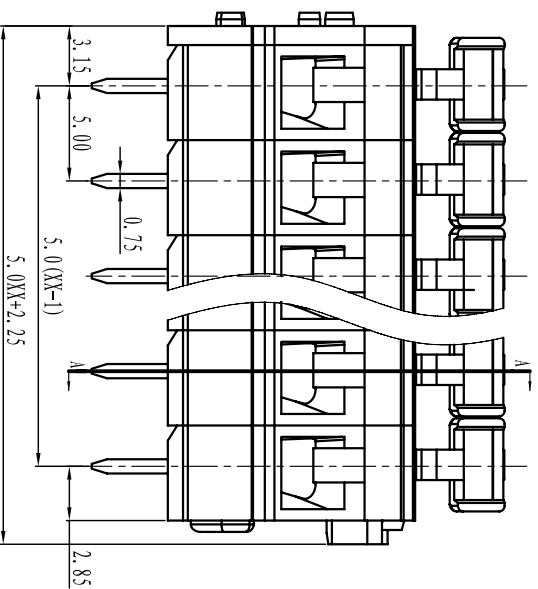




慈溪市万捷电子有限公司

CIXI WANJIE ELECTRONIC CO., LTD

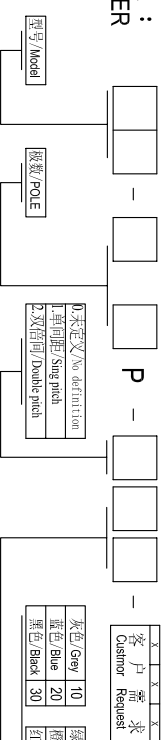
产品规格书
product specification



TOLERANCES EXCEPT AS NOTED

	linear dimension	fillet	chamfer	short angle sid	≡	—	□	//	⊥
variable range	over 6 to 30	over 30 to 120	over 120 to 480	all to 6	over 6 to 10	over 10 to 50	over 50 to 120	all to 5	over 5 to 30
tolerance	±0.1	±0.2	±0.3	±0.5	±0.9	±0.2	±0.5	±1	1°
	over 6 to 30	over 30 to 120	over 120 to 480	all to 6	over 6 to 10	over 10 to 50	over 50 to 120	all to 5	over 5 to 30
	±0.1	±0.2	±0.3	±0.5	±0.9	±0.2	±0.5	±1	1°
	over 6 to 30	over 30 to 120	over 120 to 480	all to 6	over 6 to 10	over 10 to 50	over 50 to 120	all to 5	over 5 to 30
	±0.1	±0.2	±0.3	±0.5	±0.9	±0.2	±0.5	±1	1°
	over 6 to 30	over 30 to 120	over 120 to 480	all to 6	over 6 to 10	over 10 to 50	over 50 to 120	all to 5	over 5 to 30
	±0.1	±0.2	±0.3	±0.5	±0.9	±0.2	±0.5	±1	1°
	over 6 to 30	over 30 to 120	over 120 to 480	all to 6	over 6 to 10	over 10 to 50	over 50 to 120	all to 5	over 5 to 30
	±0.1	±0.2	±0.3	±0.5	±0.9	±0.2	±0.5	±1	1°

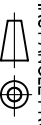
订购方式：
HOW TO ORDER



电气性能/Electrical
 参考标准/Standard: UL IEC
 额定电压/Rated voltage: 300V 250V
 额定电流/Rated current: 10A 15A
 使用线径/Wire range: 26-14AWG 2.5mm²
 耐压/Withstanding voltage: AC2000V/1Min
 绝缘电阻/Insulation resistance: 500MΩ/DC300V
机械性能/Mechanical
 温度范围/Temp.Range: -40° C~+105° C
 瞬间温度/MAX Soldering: +250° C, for 5 Sec
 剥线长度/Strip length: 5-6mm
尺寸/Dimensions
 间距/Pitch: 5.0mm
 极数/Poles: 1P-XXP

材料及电镀/Material
 塑件/Housing: PA66, UL94V-0
 簧片/Wire guard: Stainless steel(SUS301)
 焊针/Pin header: Brass, Tin plated

单位/UNITS	mm	尺寸/SIZE	A4	比例/SCALE
----------	----	---------	----	----------



慈溪市万捷电子有限公司
CIXI WANJIE ELECTRONIC CO., LTD

名称/NAME
WJ243A-5.0-XXP-11T-00A